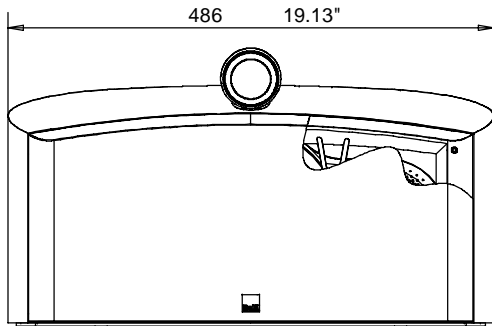
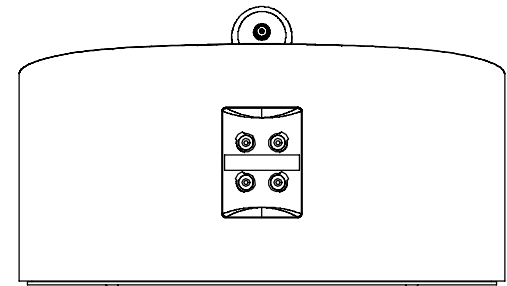
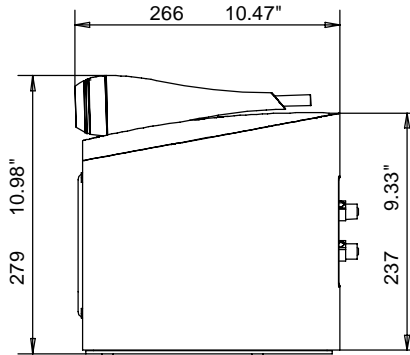
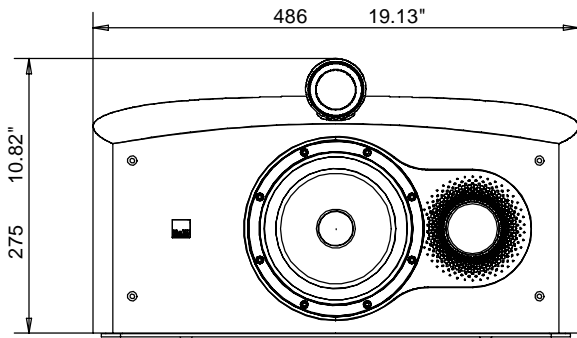
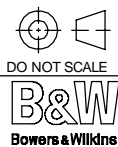
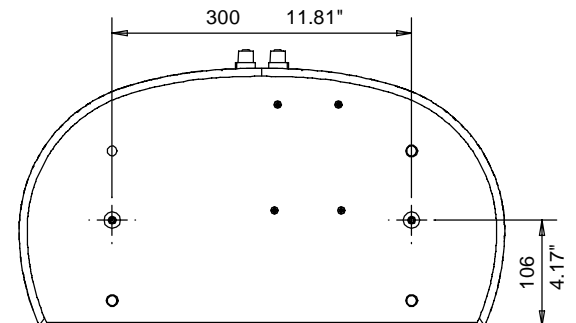
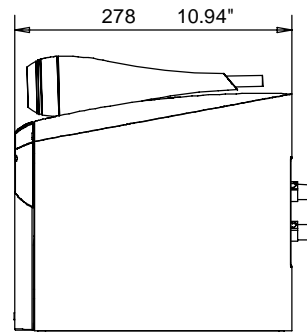


GRILLE OFF



GRILLE ON



DIMENSIONS IN mm	
TOLERANCES	
0.	± 0.5
0.0	± 0.3
0.00	± 0.1
ANGLES ± 0.5°	
UNLESS OTHERWISE STATED	

MATERIAL	
FINISH	

ISS	2 REDRAWN	AMENDMENT	ECN NO.	DATE	APPROVAL
TITLE	HTM4S LINE DRAWING				

COPYRIGHT © 2004		PART NO.
DRAWN KW	DATE 13.10.04	FP20419
CHECKED / APPROVED		DRG. NO.
SCALE NTS		A7109-1-1
FULL DRG SIZE A3		(2)