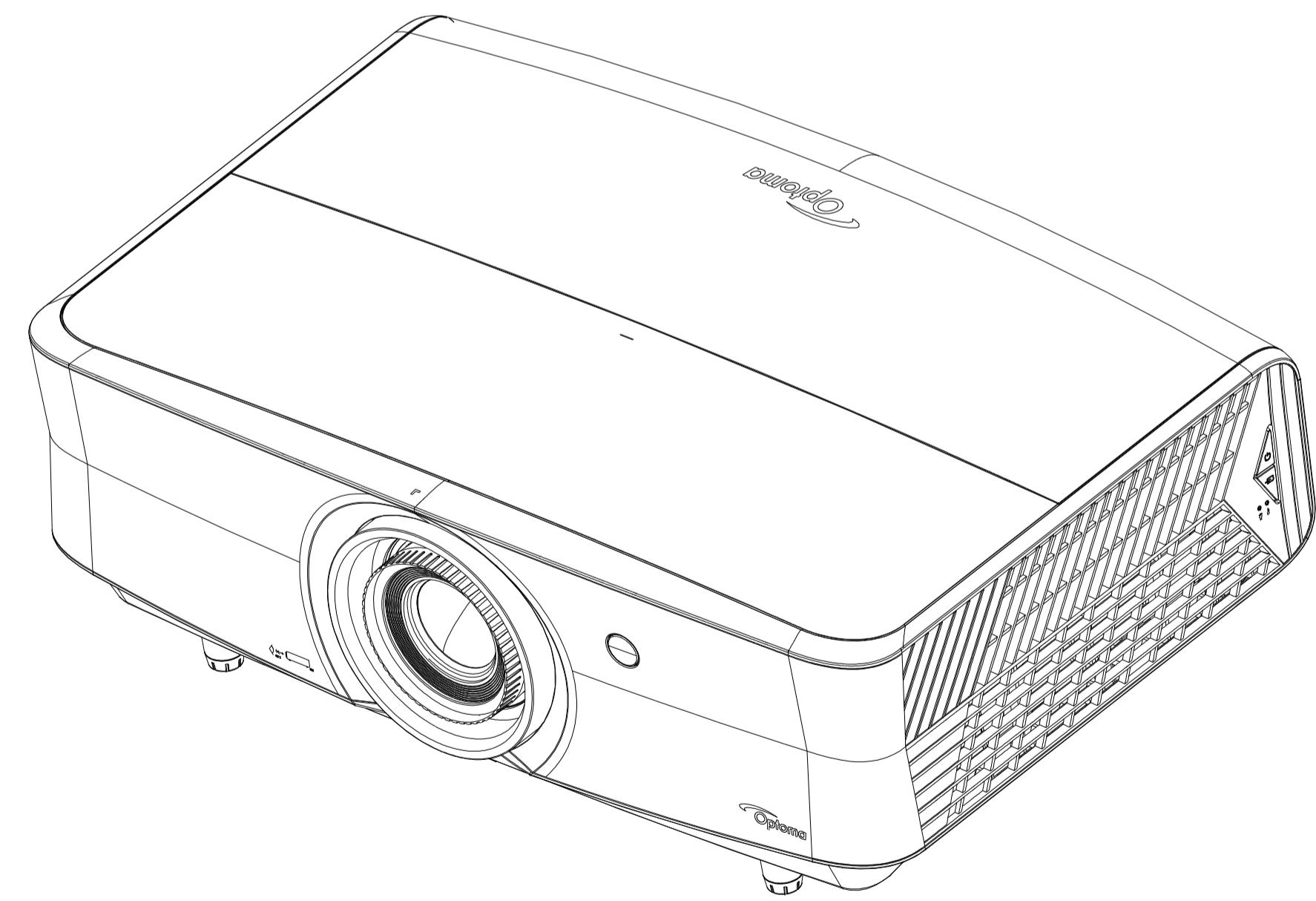
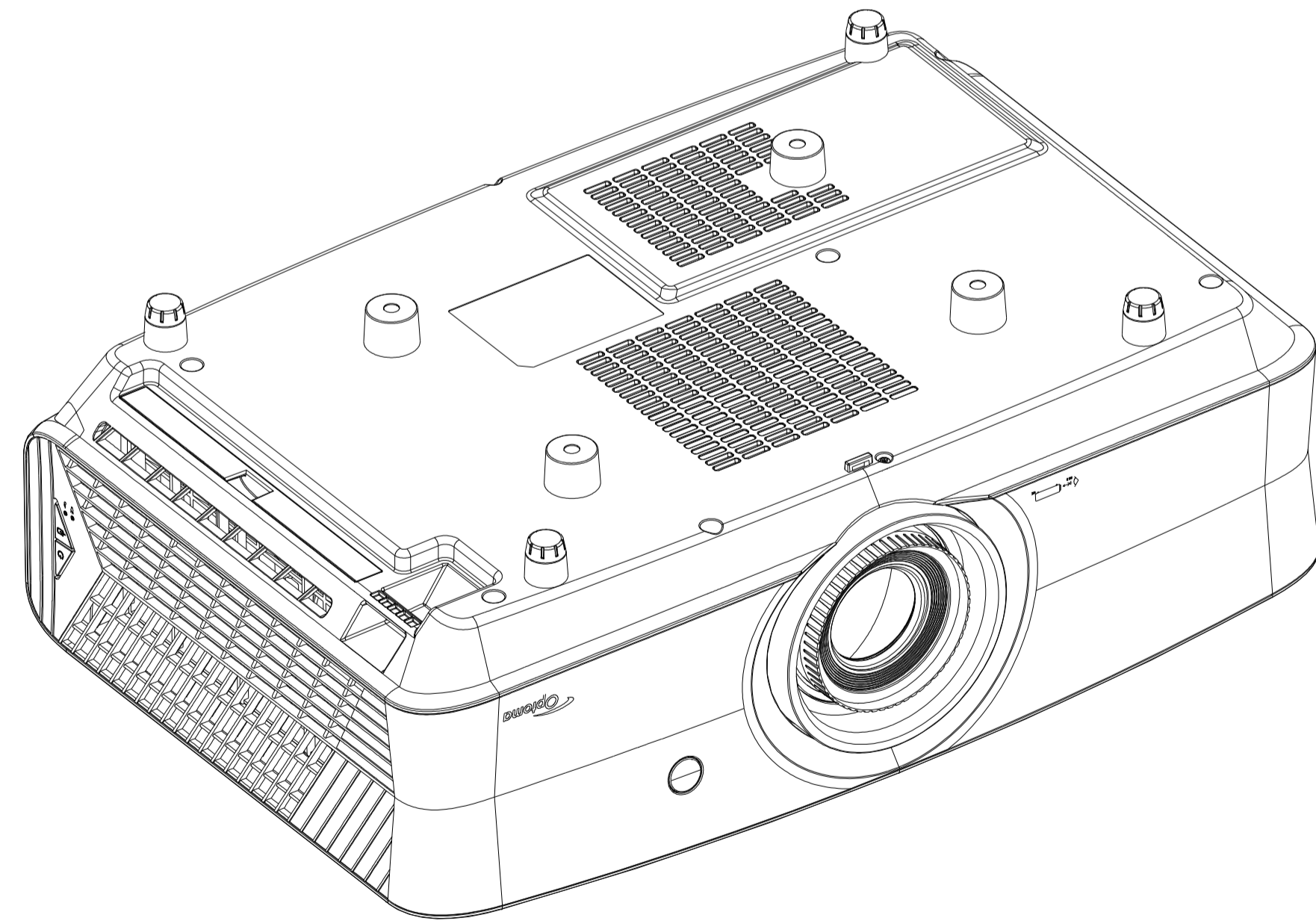
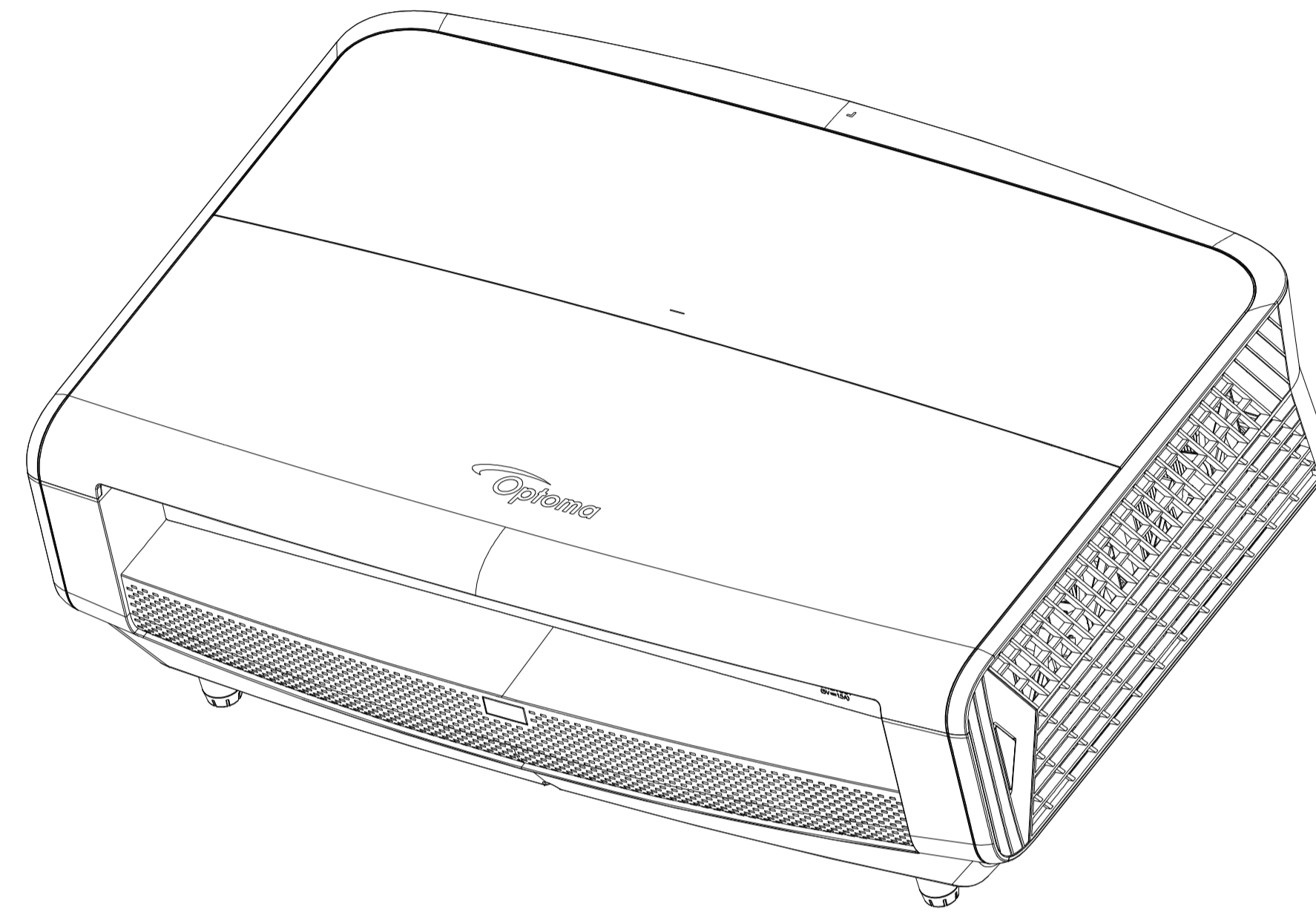
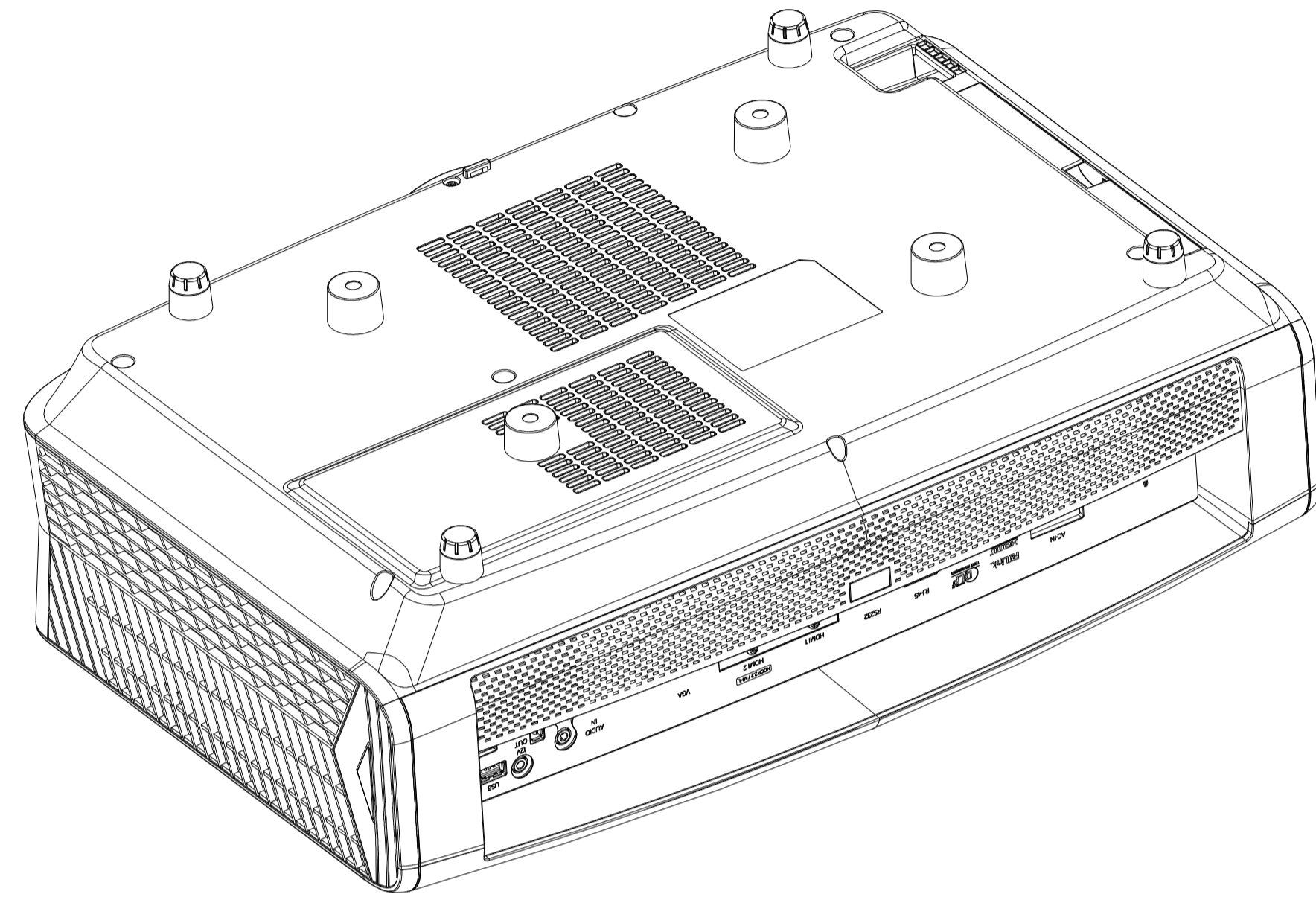


				LIMITS UNLESS OTHERWISE NOTED		DRAWN: SAM CHEN 17-5/11		Coretronic Corporation	
				1-6	±0.1	300-1000	±0.5	NAME :	
				6-30	±0.2	1000-2000	±1.2	CHK: JIAFEE CHEN	
				30-100	±0.3	2000+	±2.0	APPD: TERENCE MIAO	
				100-300	±0.5	ANGLE	±0.5	TITLE UHZ65	
				1000-3000	±0.5	SCALE	UNIT	PART NO. 95.TAL010C0E	
				3000+	±0.5	mm	MATERIAL	FINISH	
				Rev.	Initiator	Date	Description	ECR NO.	SHEET
				10		11		12	13
								14	



				LIMITS UNLESS OTHERWISE NOTED		DRAWN: SAM CHEN 17/5/11		Coretronic Corporation	
				1-6	±0.1	300-1000	±0.8	NAME :	
				6-30	±0.2	1000-2000	±1.2	ID SIX VIEW UH265	
				30-100	±0.3	2000-	±2.0	TITLE UH265 PART NO. 95.TAL01G00E Rev.A	
Rev.	Initiator	Date	Description	ECR NO.	100-300	±0.5	ANGLE	±0.5°	SHEET
									2 OF 2
								SCALE	UNIT
								0.400	mm
								MATERIAL	FINISH