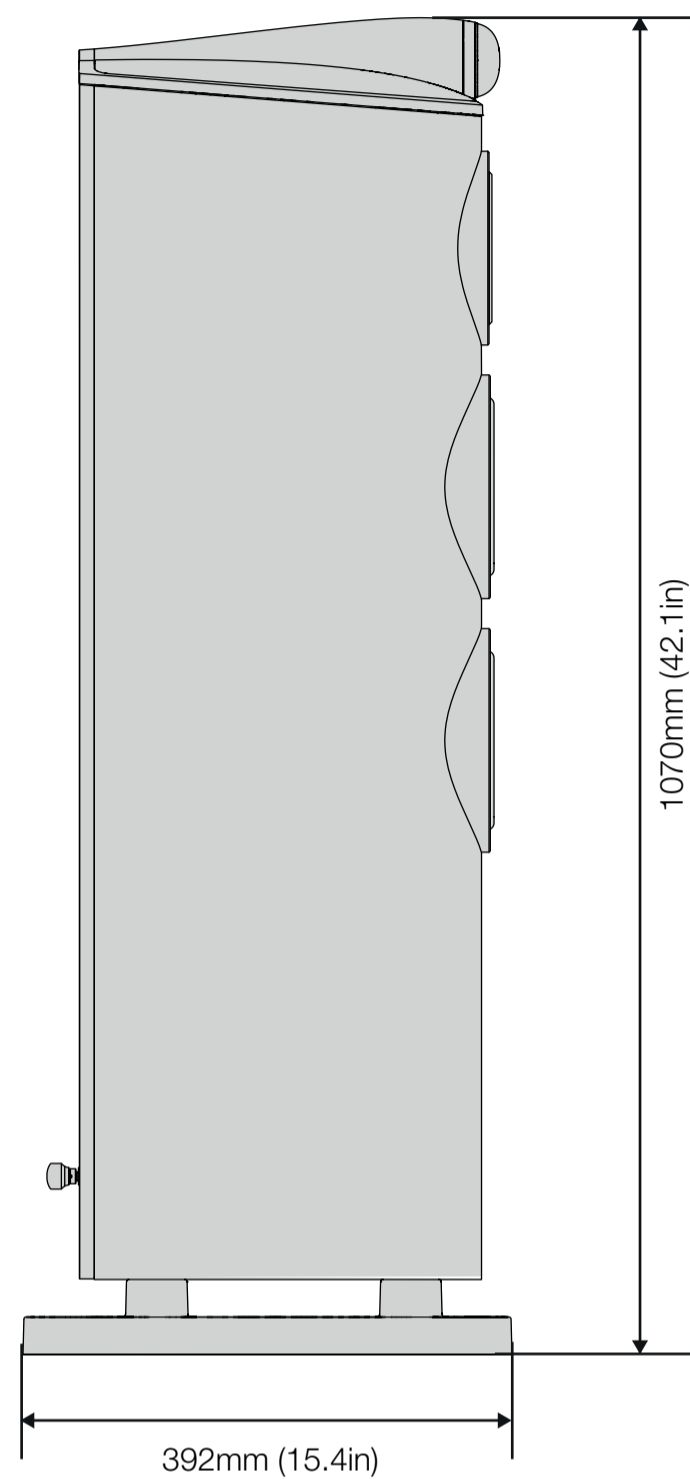
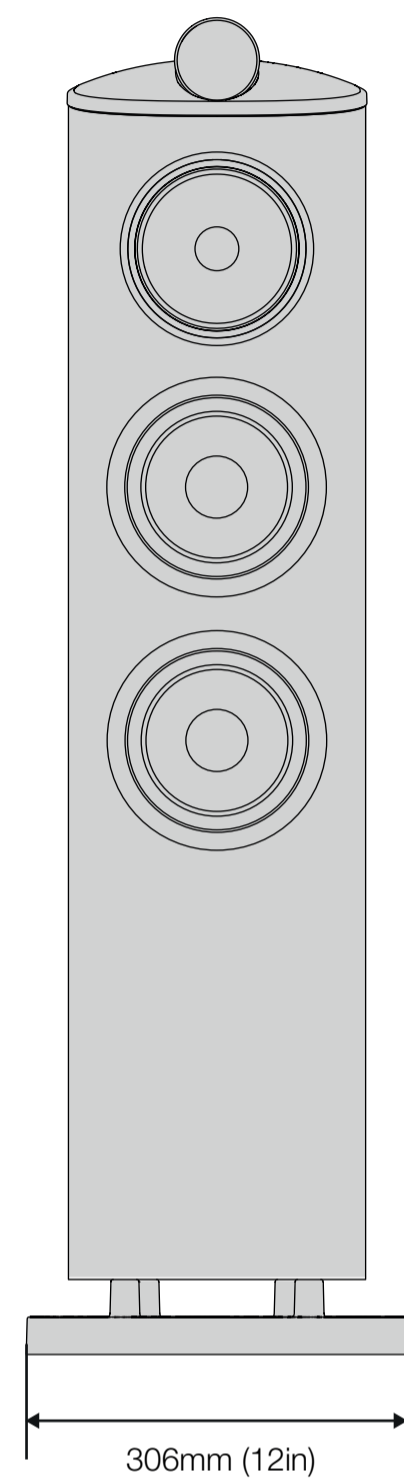


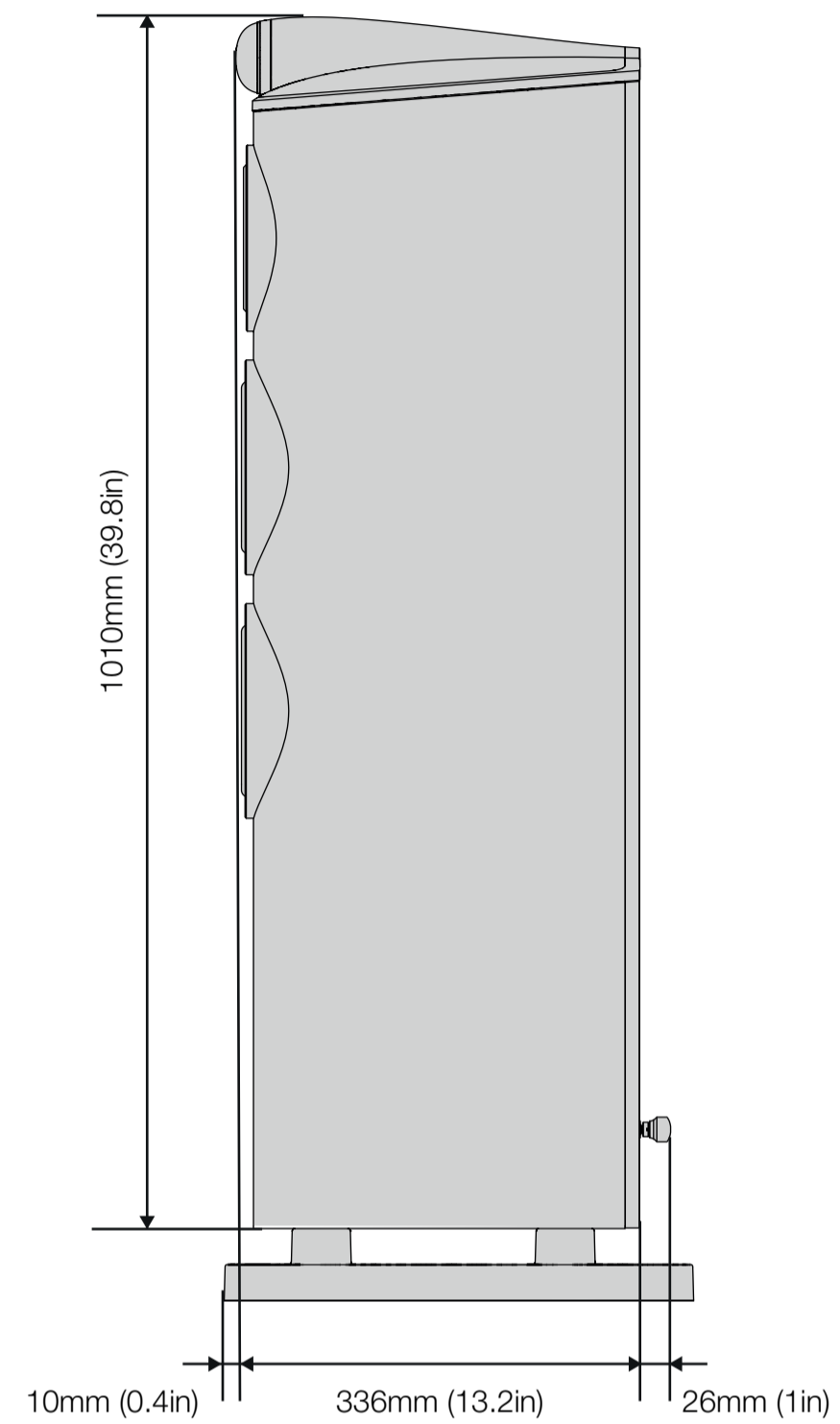
SIDE



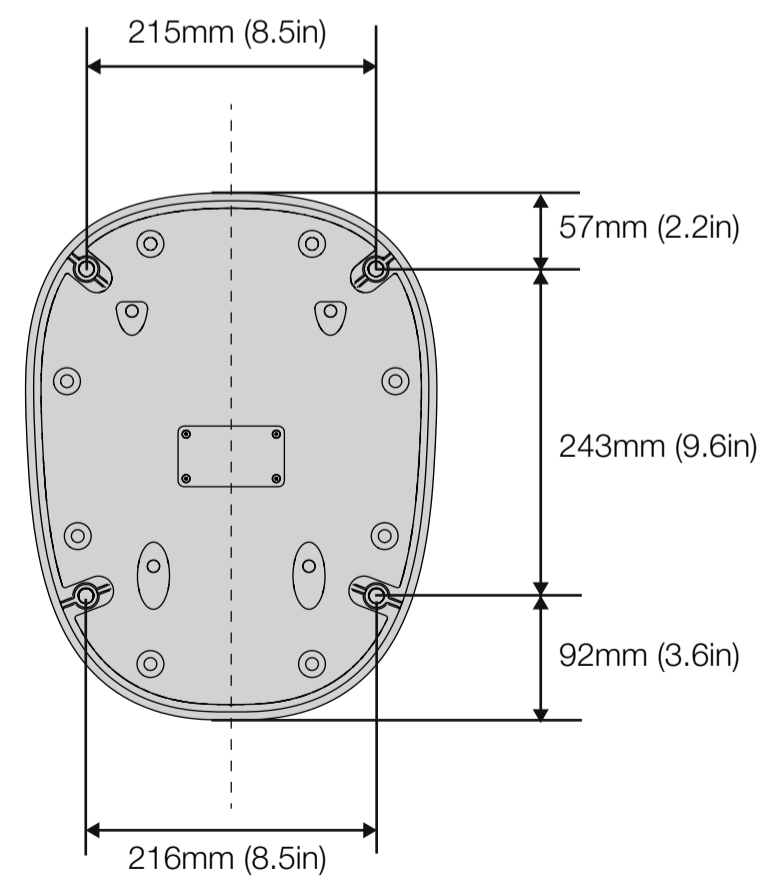
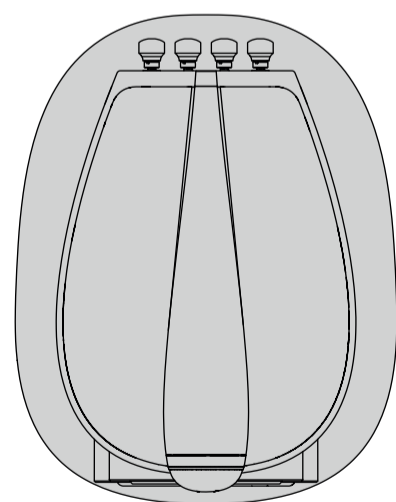
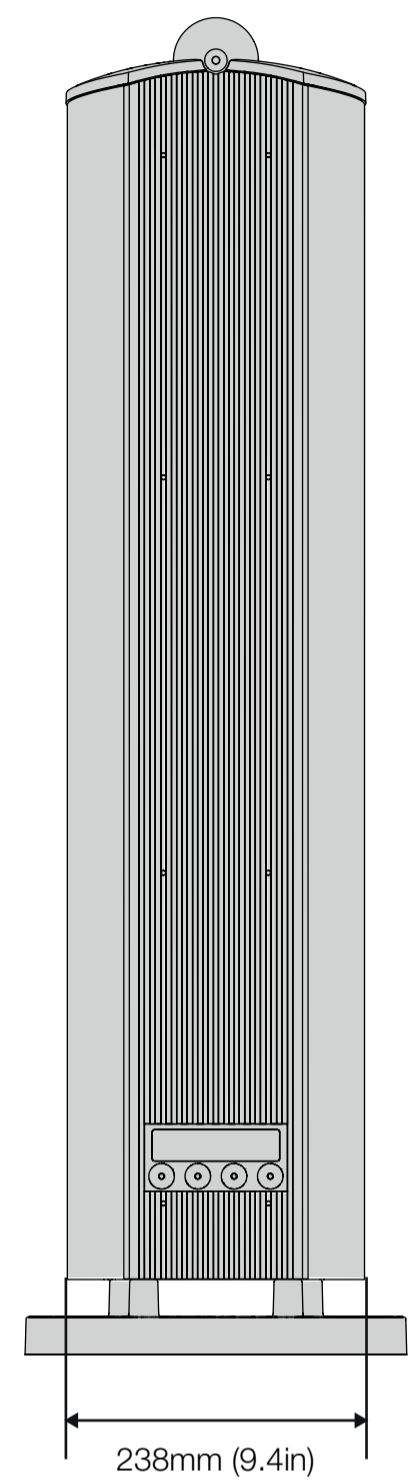
FRONT



SIDE



BACK



BASE  
FEET LOCATION

