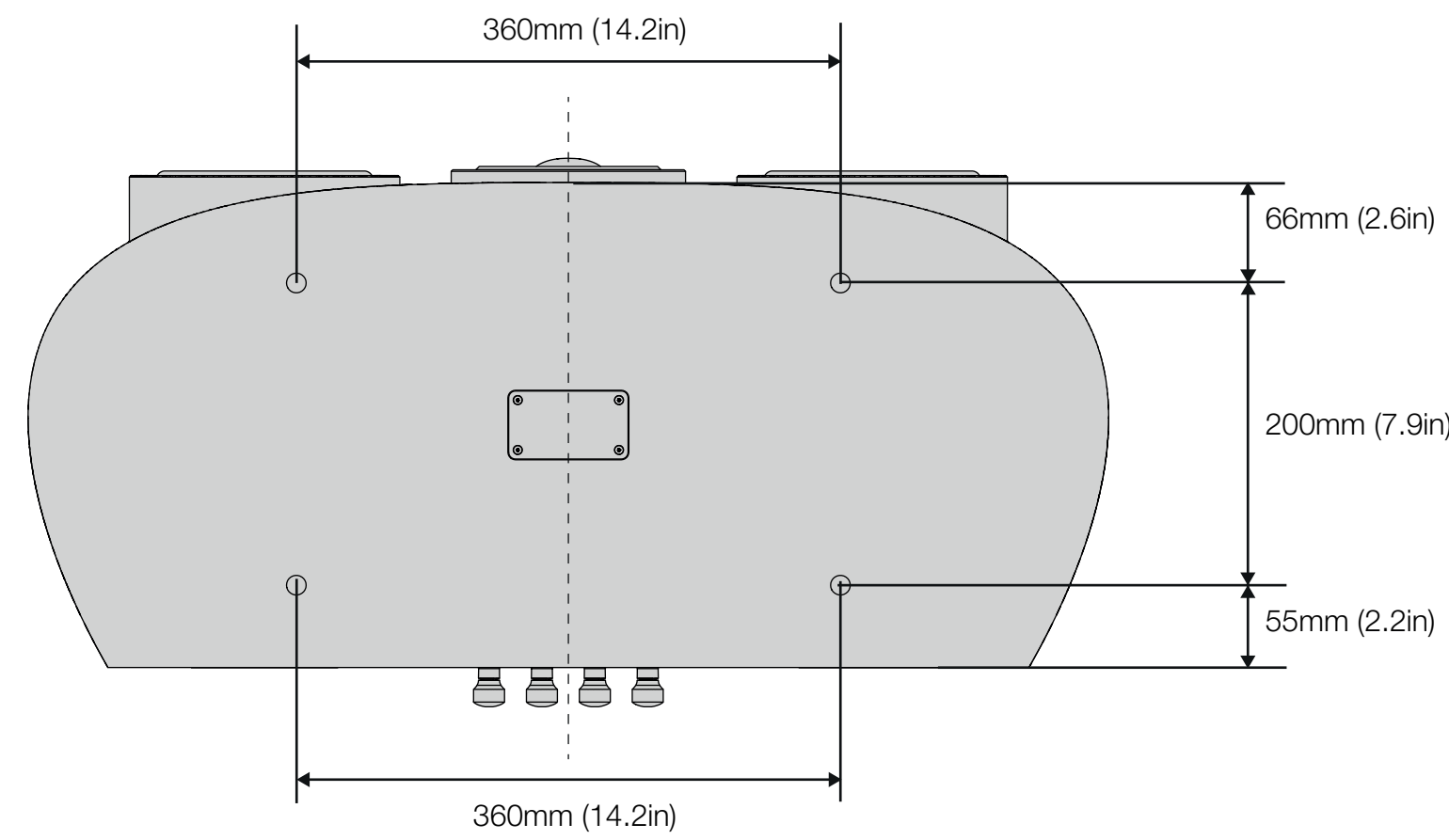


TOP



BASE
FEET LOCATION

