

805

D3

804

D3

Welcome and thank you for choosing

Bowers & Wilkins. Our founder, John Bowers, believed that imaginative design, innovative engineering and advanced technology were keys that could unlock the enjoyment of audio in the home. His belief is one that we continue to share and inspires every product we design.

The 800 Series Diamond is the world's most advanced range of loudspeakers. Each model benefits from thoughtful installation, so we would suggest that you take some time to read this manual before you begin the installation process. **Continue to page 5 →**

Bienvenue et merci d'avoir choisi Bowers et

Wilkins. Lorsque John Bowers a créé sa société, il savait déjà qu'un design imaginatif, une conception innovante et une technologie avancée seraient les clés du plaisir de l'écoute de la musique à domicile. C'est cette philosophie qui, aujourd'hui, continue de nous inspirer pour la conception de chaque nouvel appareil.

La 800 Series Diamond est la gamme d'enceinte acoustique la plus avancée au monde. Chaque modèle bénéficiera d'une mise en œuvre soignée, aussi nous vous suggérons de prendre le temps de lire ce manuel avant d'en commencer l'installation. **Suite page 9 →**

Willkommen bei Bowers & Wilkins.

Der Firmengründer John Bowers war der Meinung, dass ein wunderschönes Design, eine innovative Konstruktion und ausgeklügelte Technologien die Schlüssel zu Audio-Entertainment der Extraklasse in Ihrem Zuhause sind. Wir teilen seine Meinung und jedes von uns entwickelte Produkt basiert darauf.

Die Modelle der 800 Serie Diamond gehören zu den besten Lautsprechern weltweit. Ihre Installation sollte gut durchdacht werden. Wir empfehlen daher, sich die Zeit zu nehmen und diese Bedienungsanleitung vor der Installation zu lesen. **Fortsetzung auf Seite 13 →**

Bienvenido a Bowers & Wilkins. Gracias por elegir

Bowers & Wilkins. John Bowers, nuestro fundador, estaba firmemente convencido de que el diseño imaginativo, la ingeniería innovadora y la tecnología avanzada eran las claves a la hora de llevar el disfrute del sonido a la intimidad del hogar. Una creencia que seguimos compartiendo y que inspira todos y cada uno de los productos que diseñamos.

La Serie Diamond 800 es la gama de cajas acústicas más avanzada del mundo. Cada uno de los modelos que la constituyen se beneficiará de una instalación a conciencia, por lo que le sugerimos que antes de llevarla a cabo se tome su tiempo para leer este manual.

Continúa en la página 17 →

Bem-vindo e obrigado por escolher a Bowers &

Wilkins. O nosso fundador, John Bowers, acreditava que um design criativo, engenharia inovadora e tecnologia avançada eram as chaves que poderíamos abrir portas para se desfrutar de áudio em casa. A sua crença é algo que continuamos a partilhar e que inspira cada produto que concebemos.

A Série 800 Diamond é a gama mais avançada de colunas, a nível mundial. Cada modelo tira partido de uma instalação cuidadosa, pelo que recomendamos que leia este manual antes de iniciar o processo de instalação. **Continuação na página 21 →**

Benvenuti e grazie per aver scelto un prodotto

Bowers & Wilkins. Il nostro fondatore, John Bowers, era convinto che design attraente, capacità d'innovare e tecnologie all'avanguardia fossero fattori vincenti per la riproduzione audio domestica. Le sue idee sono ancor oggi condivise da noi tutti e fonte d'ispirazione per ogni nuovo modello che progettiamo.

I modelli della Serie 800 Diamond sono tra i più avanzati diffusori al mondo e meritano quindi di venir installati in maniera scrupolosa. Vi suggeriamo pertanto di leggere attentamente questo manuale prima di iniziare. **Continua a pagina 25 →**

Welkom en dank u voor het kiezen van Bowers

& Wilkins. Onze oprichter John Bowers, was ervan overtuigd dat een fantasievol ontwerp, innovatieve techniek en moderne technologie de sleutels vormden tot muziekbeleving thuis. Het is deze overtuiging waar we nog steeds van uitgaan en die de inspiratie vormt voor elk product dat we ontwerpen.

De 800 Serie Diamond is 's werelds meest geavanceerde model luidsprekers. Elk model is voorzien van een slimme installatiemethode en daarom raden we u aan dat u de tijd neemt om deze handleiding te lezen voordat u aan het installeren begint. **Lees verder op pagina 29 →**

Vítejte u Bowers & Wilkins. Děkujeme Vám, že jste si zvolili značku Bowers & Wilkins. Když John Bowers zakládal naši firmu věřil, že nápadité provedení, novátorský přístup a pokročilé technologie jsou klíčem otevírajícím dveře kvalitní reprodukci. Touto filozofií se dodnes inspirujeme, kdykoli tvoříme nový produkt.

Reposoustavy řady 800 Diamond jsou jedněmi z nejvíce sofistikovaných reposoustav na světě. Pro každý z modelů je však důležitá jeho správná instalace. Dříve než začnete, věnujte tedy prosím trochu času přečtení tohoto manuálu. **Pokračujte na stranu 41 →**

Καλώς ήρθατε και ευχαριστούμε που επιλέξατε την Bowers & Wilkins. Ο ιδρυτής μας, John Bowers, πίστευε ότι η ευφάνταστη σχεδίαση, η καινοτομία στην ανάπτυξη και η εξελιγμένη τεχνολογία θα ήταν τα κλειδιά που θα άνοιγαν νέους κόσμους απόλαυσης του ήχου στο σπίτι. Αυτή την πίστη του συνεχίζουμε να μοιραζόμαστε και αυτή εμπνέει κάθε προϊόν που σχεδιάζουμε.

Η 800 Series Diamond είναι η πιο εξελιγμένη σειρά ηχείων στον κόσμο. Κάθε μοντέλο επωφελείται από την προσεκτική εγκατάσταση, οπότε θα προτείνουμε να αφιερώσετε λίγο χρόνο στην ανάγνωση αυτού του εγχειριδίου προτού ξεκινήσετε τη διαδικασία εγκατάστασης.

Συνέχεια στη σελίδα 33 →

Köszönjük, hogy a Bowers & Wilkins-t választotta.

Amikor John Bowers megalapította a társaságot, célja az volt, hogy az ötletes dizájn, innovatív megoldások és fejlett technológia révén tökéletesítse az otthoni hangzásvilág élményét. Ez az elképzelés mai napig a vállalat mozgatórugója, amely minden termékünk tervezését meghatározza.

A 800 Diamond sorozat a világ legfejlettebb hangsugárzóiból áll. Mindegyik modell beüzemelésé nagy odafigyelést igényel, ezért javasoljuk, hogy szánjon egy kis időt ennek az útmutatónak az elolvasására.

Folytatódik a 45.oldalon →

Добро пожаловать и благодарим вас за приобретение продукта компании Bowers & Wilkins.

Наш основатель, Джон Бауэрс, верил в то, что творческий подход в проектировании, новаторская конструкция и передовые технологии смогут открыть людям путь к подлинному звучанию в доме. Мы продолжаем разделять его веру, и она вдохновляет нас при проектировании всех новых продуктов.

Серия 800 Diamond – это самые совершенные в мире акустические системы. Каждая модель может получить преимущества от продуманной установки, поэтому мы рекомендуем вам уделить некоторое время на прочтение этого Руководства перед тем как начать процесс установки. **Продолжение на стр. 37 →**

Witamy i dziękujemy za wybór produktu Bowers & Wilkins.

John Bowers założył swoją firmę, ponieważ wierzył, że ciekawy wygląd, innowacyjna konstrukcja i zaawansowana technologia są kluczem do rozkoszowania się dźwiękiem w domowym zaciszu.

Seria 800 Diamond jest najbardziej zaawansowanym asortymentem głośników na świecie. Przemysłana instalacja pozwala na uzyskanie pełni możliwości każdego modelu serii, dlatego też sugerujemy abyście poświęcili Państwo chwilę na przeczytanie niniejszej instrukcji przed rozpoczęciem użytkowania. **Więcej na stronie 49 →**

欢迎并感谢您选购 Bowers & Wilkins 产品。

我们的创办人John Bowers先生相信充满想象的设计、创新的工程和先进的技术是开启家庭音响娱乐大门的重要元素。我们依然坚持着他的信念，并赋予我们所有产品设计灵感。

800 Diamond系列是世界上最先进的扬声器系列。周详的安装可使扬声器发挥最佳音效，因此我们建议在开始安装过程前，请花一些时间阅读本手册。

第53页(续) →

歡迎並感謝您選購 Bowers & Wilkins 產品。

我們的創辦人John Bowers先生相信充滿想像的設計、創新的工程和先進的技術是開啟家庭音響娛樂大門的重要元素。我們依然堅持著他的信念，並賦予我們所有產品設計靈感。

800 Diamond系列是世界上最先進的揚聲器系列。周詳的安裝可使揚聲器發揮最佳音效，因此我們建議在開始安裝過程前，請花一些時間閱讀本手冊。

第57頁(續) →

Bowers & Wilkins製品をお買い上げいただき、ありがとうございます。 B&Wの創業者であるJohn Bowersは、創意に富んだデザインと革新的な工業技術、そして先進技術が、家庭でもオーディオを充分に楽しむ鍵であると信じていました。現在でも彼の信念はB&Wで共有されており、この信念はB&Wが設計するすべての製品に命を吹き込んでいます。

800シリーズ・ダイヤモンドは世界最先進クラスのスピーカーです。慎重な据え付けを行うことによって各モデルの持ち味が発揮されます。設定する前にこのマニュアルをよく読んでください。**61ページに続く →**




Bowers & Wilkins 제품을 구매하여 주신데 대해 깊이 감사 드립니다。 Bowers & Wilkins의 창립자 John Bowers는 가정에서 오디오의 즐거움을 느끼게 하는 중요 요소는 창의력이 풍부한 디자인, 혁신적 엔지니어링과 고도의 기술이라고 확신하였습니다. 그의 신념은 현재도 Bowers & Wilkins에서 공유되고 있으며 Bowers & Wilkins가 설계하는 모든 제품에 생명을 불어 넣고 있습니다。

800 시리즈 다이아몬드는 성능이 매우 뛰어난 스피커로서 설치하는데 세심한 주의가 필요합니다. 사용하시기 전에 이 매뉴얼을 잘 읽어 보시기 바랍니다。**65쪽에 계속 →**



1. Unpacking

805 D3

	2
	8
	2

Carton Contents

805 D3

- 2 Pairs of link wires
- 8 Self-adhesive plastic pads
- 2 Two-part foam plugs

804 D3

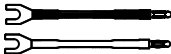



- 2 Pairs of link wires
- 8 M6 spike feet and lock nuts
- 8 Rubber feet
- 2 Two-part foam plugs

The 805 D3 and 804 D3 are very heavy and we strongly suggest that they are unpacked in the room in which they are to be used by two people working together. It is also a sensible precaution to remove jewellery to negate the risk of scratching the speakers' surface finish.

The tables above illustrate the component parts that are packed with the 805 D3 and 804 D3. In the unlikely event that anything is missing please contact the retailer from whom you purchased the speakers.

2. Positioning

804 D3

	2
	8
	8
	2

The heavier bass/midrange grilles attach magnetically and are packed in a separate compartment to prevent movement in transit.

Tweeter diaphragms are very delicate and easily damaged. In the 800 Series Diamond we include a steel grille mesh that can protect the tweeter from many forms of damage. However, you should still exercise care when handling and cleaning your loudspeakers.

Environmental Information

This product complies with international directives, including but not limited to:

- i. the **R**estriction of **H**azardous **S**ubstances (RoHS) in electrical and electronic equipment,
- ii. the **R**egistration, **E**valuation, **A**uthorisation and restriction of **C**hemicals (REACH)
- iii. the disposal of **W**aste **E**lectrical and **E**lectronic Equipment (WEEE).

Consult your local waste disposal authority for guidance on how properly to recycle or dispose of this product.

**Speaker Installation
Using Wall Shelves (805 D3 only)**

The speaker is primarily designed to be mounted on a dedicated floor stand (FS-805 D3), but may be placed on a shelf, although this offers less flexibility to optimise the speaker's performance. If shelf placement must be used, we recommend using the foam bung inserts (supplied) to optimise port performance (see Section 5: Fine-Tuning).

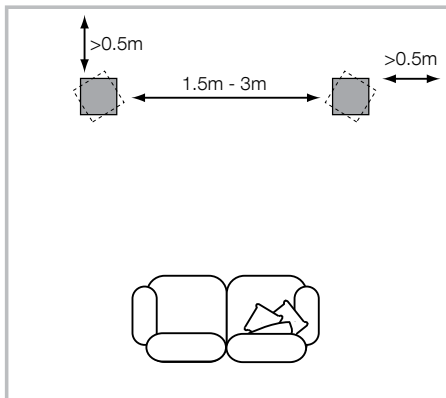
In both installation cases, the speakers' tweeters should be approximately at ear height at your usual listening position.

Note: If using a shelf, ensure that it is strong enough to properly support the weight and fit the 4 self-adhesive plastic feet to the underside of the speaker.

FS-805 D3 or 804 D3

FS-805 D3 and 804 D3 are intended to be floor mounted only. It is important to ensure that they stand firmly on the floor using the spike feet supplied whenever possible.

The spike feet are designed to pierce carpet and rest on the floor surface. Initially, screw the lock nuts onto the spikes enough to leave the nuts floating just above the carpet when the spikes are resting on the floor beneath. Screw the spikes fully into the threaded inserts in the base. If the cabinet or stand rocks when placed on the floor, unscrew the two spikes that do not touch the floor until the cabinet rests firmly without rocking. Finally, lock the nuts against the base. It may be more convenient to fit and adjust the spike feet after speaker positioning has been optimised.



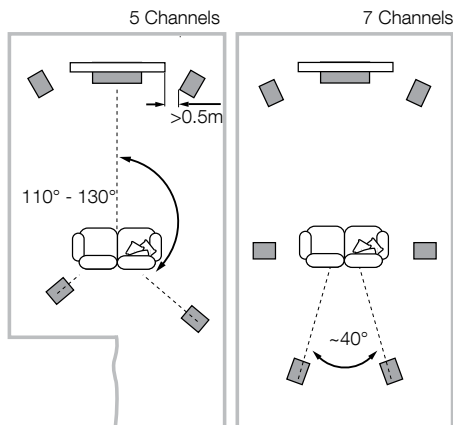
If there is no carpet and you wish to avoid scratching the floor surface, use either a protective metal disc, a spike cup or a coin between the spike and the floor, or use the supplied rubber feet. Fit the rubber feet and level the cabinet or stand in the same manner as with the spike feet.

Speaker Positioning

In either stereo or home theatre installations, try to ensure that the immediate surroundings of each speaker are similar in acoustic character. For example, if one speaker is adjacent to bare walls while the other is adjacent to soft furnishings and curtains, both the overall sound quality and the stereo image are likely to be compromised.

Conventional Stereo Systems

To begin with, the speakers should be positioned between 1.5m and 3m apart at two corners of an equilateral triangle completed by the listening area at the third corner. The speakers should be approximately 0.5m away from the back wall, and at least 0.5m away from any side walls (above).



Home Theatre Systems

If the speakers are to be used for the front channels in a home theatre system, they should be placed closer together than for 2-channel audio, because the surround channels tend to widen the image. Positioning the speakers within approximately 0.5m of the sides of the screen will also help keep the sound image in scale with the visual image. As with conventional stereo positioning, the speakers should ideally be at least 0.5m away from any side walls. If you would prefer to place your speaker against the back wall and this location results in over emphasised bass, see the Fine Tuning section of this manual for information on using the foam plugs.

All connections should be made with the audio equipment switched off.

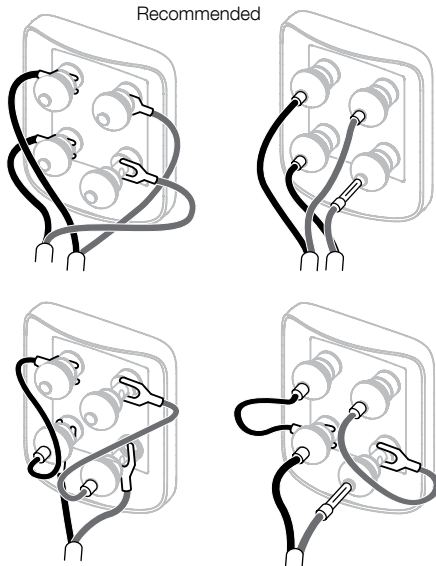
The 805 D3 and 804 D3 speaker terminals accept a variety of cable terminations: 4mm banana plugs, 6mm and 8mm (1/4 in and 5/16 in) spades, or bare wires up to 4mm (5/32 in) diameter.



Important Safety Notice

In certain countries, notably those in Europe, the use of 4mm banana plugs is considered a potential safety hazard, because they may be inserted into the holes of unshuttered mains supply sockets. In order to comply with European CENELEC safety regulations, the 4mm holes in the ends of the terminals are blocked by plastic pins. If you are using the products in any country where these conditions apply, you should ensure that any banana plugs cannot be used in an unsafe manner by children or other uninformed persons.

Ask your dealer for advice when selecting speaker cable. Keep its total impedance below the maximum recommended in the speaker specification and use a low inductance cable to avoid attenuation of high frequencies.

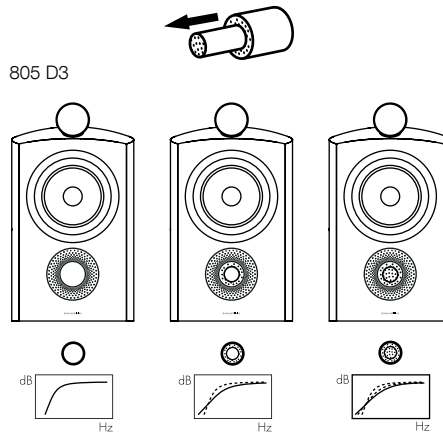


There are two pairs of terminals at the back of each speaker that enable bi-wiring (top). For single wire connection, fit the supplied link wires to join the like polarity terminals together. Bi-wiring can improve the resolution of low-level detail.

Ensure that the positive terminals on the speaker (with red ring) are connected to the positive output terminal on the amplifier and the negative terminals on the speaker (with black ring) are always connected to the negative output terminal on the amplifier. Incorrect connection will not result in damage but will cause poor stereo imaging and loss of bass. Always screw the terminal caps down fully to prevent rattles.

4. Fine Tuning

805 D3

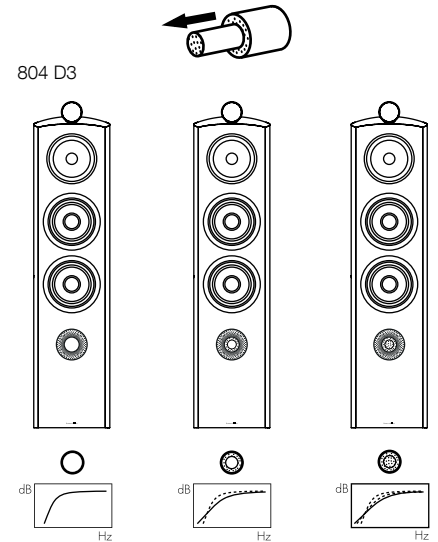


Before fine tuning, make sure that all the connections in the installation are correct and secure.

Moving the speakers further from the walls will generally reduce the volume of bass. Space behind the speakers will also help to create an aural impression of depth. Conversely, moving the speakers closer to the walls will increase the volume of bass. If you want to reduce the volume of bass without moving the speakers further from the wall, fit the foam plugs or, for less severe bass reduction, the foam rings in the port tubes (above).

If the bass seems uneven with frequency this will most probably be due to resonance modes in the listening room. Even small changes in the position of the speakers or the listening position can have a profound effect on how these resonances affect the sound. Try moving the listening position or locating the speakers along a different wall. The presence and position of large pieces of furniture can also influence resonance modes.

804 D3



If the central image lacks focus, try moving the speakers closer together or angling them inward so that they point at a location just in front of the listening position.

If the sound is too bright, increasing the amount of soft furnishing in the room (heavier curtains for example) may help balance the sound. Conversely, reducing the amount of soft furnishing may help brighten a dull sound.

For the most discerning listening, remove the bass/midrange grilles by gripping around their edges and gently pulling them away from the cabinet.

5. Running In

The performance of the speaker will change subtly during the initial listening period. If the speaker has been stored in a cold environment, the damping compounds and suspension materials of the drive units will take some time to recover their correct mechanical properties. The drive unit suspensions will also loosen up during the first hours of use. The time taken for the speaker to achieve its intended performance will vary depending on previous storage conditions and how it is used. As a guide, allow up to a week for the temperature effects to stabilise and 15 hours of average use for the mechanical parts to attain their intended design characteristics.

6. Aftercare




The cabinet surfaces will usually only require dusting. We recommend you use the cloth supplied with the product. If you wish to use an aerosol or other cleaner, apply the cleaner onto the cloth, not directly onto the product and test a small area first, as some cleaning products may damage some of the surfaces. Avoid products that are abrasive, or contain acid, alkali or anti-bacterial agents. Do not use cleaning agents on the drive units. Avoid touching the drive units as damage may result.

Whenever Bowers & Wilkins speakers are finished in real wood, the finest veneers are selected and treated with an ultra-violet resistant lacquer to minimise changes in colour over time. Nevertheless, like all natural materials, the veneer will respond to its environment and a degree of colour change is to be expected. Colour differences may be rectified by exposing all the veneer surfaces equally and evenly to sunlight until the colour is uniform. This process can take several days or even weeks, but may be accelerated by careful use of an ultra-violet lamp. Wood veneered surfaces should also be kept away from direct sources of heat such as radiators and warm air vents in order to minimise the possibility of the wood veneer cracking.

1. Déballage

2. Positionnement

805 D3

	2
	8
	2

Vérification du contenu du carton

805 D3

2 x paires de fils de connexion
8 x pieds plastique auto adhésifs
2 x bouchons en mousse en deux parties

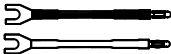



804 D3

2 x paires de fils de connexion
8 x supports sur pointes avec écrous de verrouillage
8 x supports caoutchouc
2 x bouchons en mousse en deux parties

Les 805 D3 et 804 D3 sont très lourdes, et nous vous conseillons de les déballer dans la pièce où elles doivent être installées, par deux personnes simultanément. Nous vous recommandons également d'ôter tout bijou susceptible de rayer la finition des enceintes.

Le tableau ci-dessus énumère tous les éléments contenus dans l'emballage avec les 805 D3 ou 804 D3. Au cas fort peu probable où un de ces éléments serait manquant, veuillez contacter immédiatement le revendeur auprès duquel vous avez acheté les enceintes.

804 D3

	2
	8
	8
	2

Les grilles frontales sont fixées par des aimants. La grille du haut-parleur médium et grave, plus lourde, est emballée séparément pour éviter tout mouvement intempêtif pendant le transport.

Les diaphragmes des tweeters sont fragiles et peuvent facilement être endommagés. Pour la 800 Series Diamond, nous avons mis en place une grille en maille d'acier destinée à protéger le tweeter de tout dommage accidentel. Vous devez porter une attention particulière lors de la manipulation et du nettoyage de vos enceintes acoustiques.

Information sur l'environnement

Ce produit est conforme avec les directives internationales, y compris mais sans se limiter à:

- i. la limitation des substances dangereuses (RoHS) dans les équipements électriques et électroniques,
- ii. l'enregistrement, l'évaluation, l'autorisation et la restriction des substances chimiques (REACH)
- iii. l'élimination des déchets électriques et électroniques (WEEE).

Consultez votre organisme local d'élimination des déchets pour des conseils sur la façon appropriée de recycler ou de jeter ce produit.

Installation des enceintes**Utilisation d'étagères murales (805 D3 uniquement)**

Cette enceinte est a été spécifiquement conçue pour pouvoir être installée sur son stand-support dédié (FS 805 D3), mais elle peut, le cas échéant, être posée sur une étagère, bien que cette configuration offre moins de souplesse pour optimiser ses performances. Si cette option était choisie, nous vous conseillons d'utiliser les bouchons d'évent (fournis) pour optimiser la restitution (voir le paragraphe 5 : Optimisation).

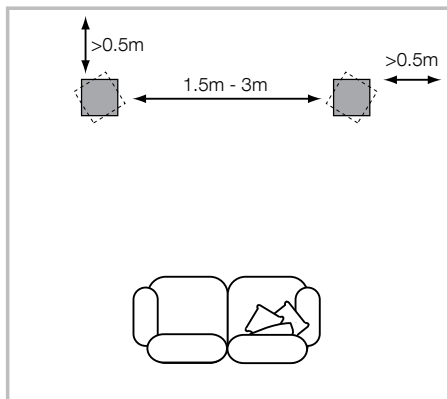
Dans tous les cas, les tweeters doivent se trouver approximativement à hauteur d'oreille par rapport à votre position d'écoute habituelle.

Remarque : si vous posez l'enceinte sur une étagère, assurez-vous qu'elle soit suffisamment solide pour en supporter le poids, et fixez les quatre pieds plastiques adhésifs sur le côté inférieur de l'enceinte.

FS-805 D3 ou 804 D3

Les FS-805 D3 ou 804 D3 sont uniquement prévues pour être directement posées au sol. Il est important de s'assurer qu'elles soient parfaitement équilibrées sur le sol, en utilisant les pointes de découplage fournies partout où cela est possible.

Les pieds-pointes fournis sont conçus pour transpercer la moquette et prendre directement contact sur le sol en dur. Avant de les mettre en place, vissez les écrous en les laissant libres, de manière à ce qu'ils affleurent à la moquette une fois les pointes correctement mises en contact avec le sol en dur. Vissez complètement les pointes dans les inserts filetés du support de sol. Si l'enceinte n'est pas totalement



stable sur le sol, dévissez une ou plusieurs pointes jusqu'à ce que l'enceinte soit parfaitement équilibrée sur le sol. Une fois cela assuré, vissez complètement chaque écrou de blocage vers la base de l'enceinte. Il est conseillé de réaliser l'équilibrage parfait de chaque enceinte seulement après avoir précisément déterminé sa position dans la pièce d'écoute.

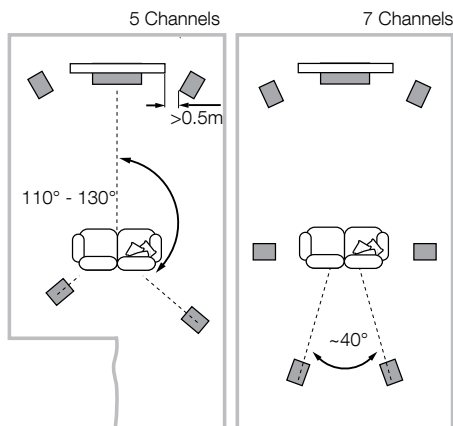
S'il n'y a pas de tapis/moquette et que vous vouliez éviter d'abîmer la surface du sol, insérez entre la pointe et le sol une rondelle de métal pour le protéger (une pièce de monnaie par exemple) ou servez vous des pieds caoutchouc fournis. Fixez les pieds caoutchouc et ajustez-les de la même façon que les pointes.

Choix de la position

Qu'il s'agisse d'une installation stéréophonique ou multicanal Home Cinema, faites en sorte que l'environnement acoustique de chaque enceinte soit le plus identique possible dans son caractère sonore. Par exemple, si une des enceintes est placée près d'un mur lisse et nu, tandis que l'autre se trouve proche d'épais tissus et tapis, la qualité et l'équilibre stéréophonique finaux risquent fort d'être compromis.

Systèmes stéréophoniques conventionnels

Comme base de départ, placer les deux enceintes éloignées entre 1,5 et 3 mètres l'une de l'autre, formant ainsi les deux angles d'un triangle équilatéral dont le troisième angle sera la position d'écoute privilégiée. Les enceintes seront également éloignées d'environ 50 centimètres du mur arrière et des murs latéraux (ci-dessus).



Systèmes Home Cinema

Si les enceintes sont utilisées en tant qu'enceintes frontales d'un système Home Cinema, elles doivent être plus rapprochées l'une de l'autre que dans le cas d'une installation stéréophonique traditionnelle, car les enceintes Surround arrière ont tendance à agrandir l'image sonore générale. Positionnez les deux enceintes à environ 50 centimètres de chaque côté de l'écran, afin de conserver une image sonore en rapport avec l'image vidéo. Comme pour un système audio stéréo traditionnel, les enceintes devront idéalement être éloignées d'au moins 50 centimètres des murs adjacents. Si les enceintes doivent être plaquées contre le mur arrière, pour des raisons pratiques, il peut en résulter une augmentation artificielle du niveau de grave : voir à ce sujet le paragraphe Ajustements plus loin dans ce manuel pour l'utilisation optimale des tampons de mousse fournis.

Les branchements ne doivent être effectués qu'avec tous les appareils audio éteints.

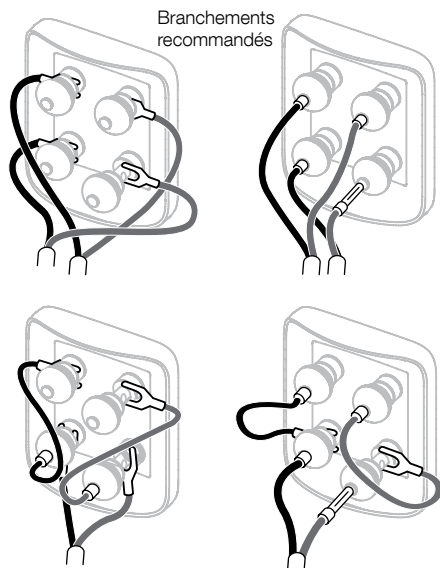
Les prises de branchement des 805 D3 et 804 D3 acceptent une grande variété de terminaisons de câbles : prises banane 4 mm, fourches 6 mm et 8 mm, ou fil nu jusqu'à 4 mm de diamètre.



Note importante concernant la sécurité

Dans certains pays, notamment en Europe, l'utilisation de fiches banane est considérée comme un risque potentiel d'électrocution, parce que de telles prises peuvent être insérées dans des prises d'alimentation secteur murales non protégées. Afin de satisfaire aux normes de sécurité européennes CENELEC, les trous de 4 mm de ces prises sont donc bloqués par des bouchons en plastique. Si vous utilisez ces prises dans des pays où cette norme de sécurité s'applique, vous devez absolument vous assurer que les fiches banane ne pourront pas être utilisées de manière dangereuse, notamment par des enfants ou des personnes non informées.

Demandez conseil à votre revendeur pour le choix des câbles de liaison enceintes. Conservez toujours une impédance totale inférieure au maximum recommandé dans les spécifications de l'enceinte et utilisez un câble de faible capacitance pour éviter une atténuation des plus hautes fréquences.

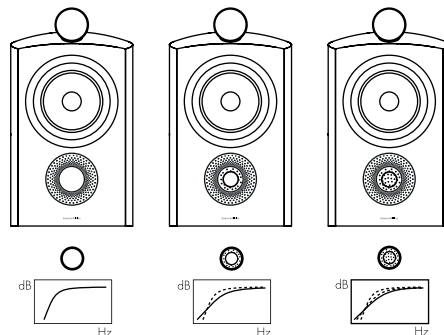


Il y a deux paires de prises à l'arrière de chaque enceinte, afin de permettre le bi-câblage (voir schéma ci-dessus). Pour une liaison conventionnelle avec un seul câble, utilisez les câbles fournis permettant de relier les prises de même polarité sur l'enceinte. Le bi-câblage peut améliorer les détails à bas volume.

Assurez-vous que les prises positives de l'enceinte (avec l'anneau rouge) sont bien branchées sur les prises de sortie positives de l'amplificateur, et les prises négatives de l'enceinte (avec l'anneau noir) sont bien branchées sur les prises de sortie négatives de l'amplificateur. Une intervention ne produira aucun dommage, mais entraînera une mauvaise image stéréo et une perte de grave. Toujours visser complètement les prises afin d'éviter toute vibration.

4. Ajustements

805 D3



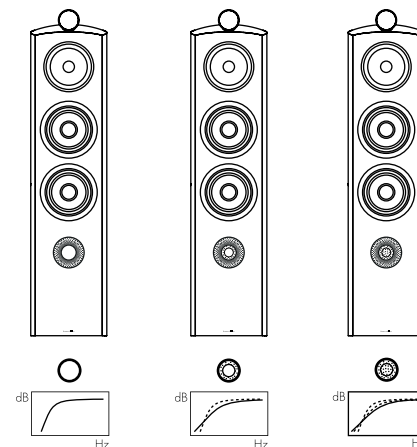
Avant de procéder à ces réglages, vérifiez que tous les branchements sont correctement effectués, dans toute l'installation, et fermement sécurisés.

Décaler les enceintes par rapport aux murs de la pièce a généralement pour effet de réduire le niveau général du grave. Un espace suffisant derrière les enceintes acoustiques permet également d'améliorer la sensation de profondeur de la reproduction sonore. Inversement, un rapprochement des enceintes par rapport aux cloisons de la pièce entraîne une augmentation du niveau du grave. Pour réduire le niveau de grave sans modifier la position des enceintes, utilisez les tampons de mousse fournis dans les événements de décompression, ou, si le niveau de grave à corriger reste limité, utilisez uniquement les anneaux de mousse à la place des tampons, comme illustré ci-dessus.

Si vous désirez réduire sensiblement le niveau de grave sans pour autant modifier la position des enceintes par rapport aux murs, placez un des tampons de mousse dans l'évent de décompression. Pour accéder à ces événements, retirez la grille frontale des enceintes en la tirant doucement vers l'avant.

Si le niveau de grave vous paraît tout de même encore trop important, cela est généralement dû à des modes de résonances parasites dans la pièce d'écoute. Une modification, même légère, de la position des enceintes dans la pièce peut alors avoir pour effet des améliorations très sensibles. Essayez de placer les enceintes le long d'un autre mur de la pièce. Le déplacement des meubles les plus encombrants peut également sensiblement modifier les résultats sonores.

804 D3



Si la focalisation centrale de l'image sonore est mauvaise, essayez de rapprocher les deux enceintes acoustiques, et/ou de modifier leur angle (plus fermé) par rapport à la zone centrale d'écoute privilégiée.

Si le son paraît trop brillant, ajoutez des meubles ou éléments amortissants dans la pièce (par exemple, des tapis plus nombreux ou épais). Inversement, réduisez l'influence de tels éléments si le son semble trop sourd ou éteint.

Pour une écoute encore plus précise, retirez les grilles de protection des haut-parleurs médium et grave en les prenant par leurs angles et en tirant très doucement vers l'avant.

5. Rodage

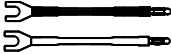


Les performances d'une enceinte acoustique se modifient subtilement pendant une période de rodage initiale. Si l'enceinte a été stockée dans un environnement de faible température, ses composants amortissants et les suspensions des haut-parleurs vont demander un peu de temps avant de retrouver leurs qualités mécaniques optimales. De plus, ces suspensions vont également se « libérer » pendant les premières heures d'utilisation. Ce temps de rodage est variable, suivant la température de stockage et la manière dont vous utilisez les enceintes. En moyenne, comptez un week-end pour que les effets de la température se stabilisent, et une quinzaine d'heures d'utilisation normale pour que tous les composants mécaniques atteignent le fonctionnement parfait correspondant à leur conception mécanique.

6. Entretien

La surface du coffret ne nécessitera dans la plupart des cas qu'un simple dépoussiérage. Nous vous recommandons d'utiliser le chiffon fourni avec l'appareil. Si vous souhaitez utiliser un aérosol ou un produit d'entretien, appliquez-le sur le chiffon et non directement sur l'appareil, puis testez d'abord ses effets sur une petite surface, certains produits pouvant endommager les surfaces. Évitez tout produit abrasif, ou contenant de l'acide, de l'ammoniaque, ou des agents anti-bactériens. Ne jamais utiliser de produits d'entretien sur les haut-parleurs. Évitez de toucher les haut-parleurs, car vous pourriez les endommager définitivement.

Lorsque les enceintes Bowers & Wilkins utilisent un placage bois véritable, les plus fins vernis sont utilisés et bénéficient d'un traitement avec une laque résistante aux ultra-violets, afin de réduire les modifications de teinte avec le temps. Cependant, comme avec tous les matériaux naturels, qui réagissent à leur environnement, des modifications de teinte sont possibles. Ces différences de teintes peuvent être rectifiées en exposant toutes les surfaces du bois de manière égale à la lumière du soleil, jusqu'à ce que la teinte redevienne uniforme. Cette procédure peut prendre plusieurs jours, voire plusieurs semaines, mais peut être accélérée en utilisant une lampe ultra-violette. Les placages de bois naturel doivent être éloignés des sources de chaleur comme les radiateurs ou l'air chaud soufflant, afin de minimiser autant que possible les craquelures du bois.

1. Auspacken

805 D3	
	2
	8
	2

Kartoninhalt

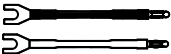



805 D3
2 Paar Brücken
8 selbstklebende Gummipads
2 zweiteilige Schaumstoffeinsätze

804 D3
2 Paar Brücken
8 M6-Spikes und Sicherungsmuttern
8 Gummifüße
2 zweiteilige Schaumstoffeinsätze

Die 805 D3 und die 804 D3 sind sehr schwer und wir empfehlen, sie in dem Raum, in dem sie später stehen werden, mit zwei Personen auszupacken. Um ein Zerkratzen der Lautsprecheroberfläche zu vermeiden, ist Schmuck vorher abzunehmen.

Der Tabelle oben können Sie entnehmen, welches Zubehör zum Lieferumfang der 805 D3 und der 804 D3 gehört. Sollte der unwahrscheinliche Fall eintreten, dass ein Teil fehlt, so setzen Sie sich bitte zunächst mit dem Fachhändler in Verbindung, bei dem Sie die Lautsprecher gekauft haben.

804 D3

	2
	8
	8
	2

Alle Grills werden magnetisch befestigt. Der schwerere Grill für den Tief-/Mitteltonbereich ist während des Transports separat verpackt, damit er sich nicht bewegen kann.

Die Hochtönerkalotten sind sehr empfindlich und können daher leicht beschädigt werden. Die Lautsprecher der 800 Serie Diamond verfügen über ein Metallgitter für den Hochtöner, durch das dieser vor Beschädigungen geschützt werden kann. Trotzdem sollten Sie beim Umgang mit dem Lautsprecher und beim Reinigen vorsichtig sein.

Umweltinformation

Dieses Produkt entspricht internationalen Richtlinien. Dazu gehören unter anderem:

- i. die Beschränkung der Verwendung bestimmter gefährlicher Stoffe in Elektro- und Elektronikgeräten (**R**estriction of **H**azardous **S**ubstances (kurz RoHS genannt))
- ii. die Registrierung, Bewertung, Zulassung und Beschränkung chemischer Stoffe (**R**egistration, **E**valuation, **A**uthorisation and Restriction of **C**hemicals, kurz REACH)
- iii. die Entsorgung von Elektro- und Elektronik-Altgeräten (**W**aste **E**lectrical and **E**lectronic **E**quipment (WEEE)).

Setzen Sie sich hinsichtlich des Recyclens bzw. der Entsorgung dieses Produktes mit der örtlichen Abfallentsorgung in Verbindung.

2. Positionierung

**Lautsprecherinstallation
Einsatz von Wandregalen (nur 805 D3)**

Die 805 D3 ist hauptsächlich für den Einsatz mit einem speziellen Lautsprecherständer (FS-805 D3) konzipiert. Sie kann jedoch auch auf Wandregalen platziert werden, wobei hierdurch ein geringeres Maß an Flexibilität bei der Optimierung der Audio-Performance gegeben ist. Wird der Lautsprecher auf ein Regal gestellt, empfehlen wir, die beiliegenden Schaumstoffeinsätze zur Optimierung der Basswiedergabe zu verwenden (siehe Kapitel 5: Feinabstimmung).

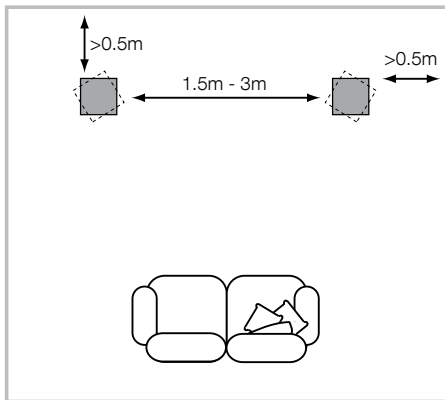
In beiden Fällen sollte sich der Hochtöner ungefähr in Ohrhöhe befinden, wenn Sie Ihre normale Sitzposition einnehmen.

Hinweis: Stellen Sie sicher, dass das Regal stabil genug ist, um das Gewicht der 805 D3 zu tragen. Zum Lieferumfang gehören selbstklebende Gummipads. Befestigen Sie vier von ihnen an der Unterseite des Lautsprechers.

FS-805 D3 und 804 D3

Es ist wichtig, dass der FS-805 D3 und der Standlautsprecher 804 D3 fest auf dem Boden stehen. Verwenden Sie daher, wann immer möglich, die beiliegenden Spikes.

Die Spikes sind so ausgelegt, dass sie durch einen Teppich hindurchgehen und auf der Bodenoberfläche aufliegen. Drehen Sie zunächst die Sicherungsmuttern so auf die Spikes, dass sie sich über dem Teppich befinden, wenn die Spikes auf dem Boden darunter aufliegen. Drehen Sie die Spikes unten vollständig in die Gewindebohrungen.



Sollte das Gehäuse bzw. der Ständer wackeln, wenn es bzw. er auf den Boden gestellt wird, so lösen Sie die beiden nicht aufliegenden Spikes, bis der Lautsprecher bzw. der Ständer fest auf dem Boden steht. Ziehen Sie nun die Sicherungsmuttern fest. Es ist sinnvoll, die Spikes erst dann anzubringen und einzustellen, wenn Sie die optimale Position für den Lautsprecher gefunden haben.

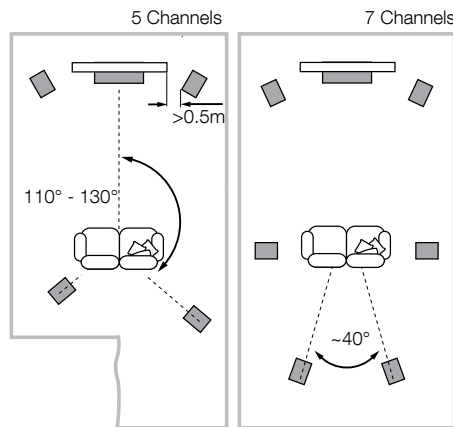
Liegt kein Teppich und möchten Sie ein Zerkratzen der Bodenoberfläche vermeiden, legen Sie entweder jeweils eine Schutzscheibe oder eine Münze zwischen Spike und Boden oder verwenden die beiliegenden GummifüÙe. Bringen Sie die GummifüÙe an und richten Sie das Gehäuse bzw. den Ständer auf die gleiche Weise aus wie bei den Spikes.

Positionierung der Lautsprecher

Versuchen Sie sowohl bei Stereo- als auch bei Heimkino-Installationen sicherzustellen, dass die direkte Umgebung in puncto Akustik für alle Lautsprecher ähnlich ist. Befindet sich beispielsweise ein Lautsprecher in der Nähe einer nackten Wand, während der andere Lautsprecher von weichen Einrichtungsgegenständen und Vorhängen umgeben ist, so leiden darunter die Klangqualität und das Stereoklangbild.

Herkömmliche Stereosysteme

Zunächst sind die Lautsprecher in einem Abstand von 1,5 bis 3 m in zwei Ecken eines gleichseitigen Dreiecks zu platzieren, das an der dritten Ecke durch den Hörbereich vervollständigt wird. Der Abstand zur Rückwand sollte ca. 0,5 m, der Abstand zu den Seitenwänden mindestens 0,5 m betragen (siehe oben).



Heimkinosysteme

Werden die Lautsprecher für die Frontkanäle eines Heimkinosystems genutzt, so sollten die Lautsprecher näher zusammengestellt werden als bei 2-Kanal-Audiosystemen, da die Surroundkanäle zu einer Erweiterung des Klangbildes führen. Eine Positionierung der Lautsprecher innerhalb von ungefähr 0,5 m zu den Seiten des Bildschirms ist darüber hinaus sehr hilfreich, um das Klangbild optimal an das visuelle Bild anzupassen. Wie bei der Positionierung in konventionellen Stereosystemen sollten die Lautsprecher einen Abstand von mindestens 0,5 m zu den Seitenwänden haben. Möchten Sie Ihren Lautsprecher an der Rückwand platzieren und ist der Bassanteil dadurch zu dominant, so erhalten Sie im Kapitel Feinabstimmung Informationen zum Einsatz der Schaumstoffeinsätze.

Beim Anschließen sollten alle Audiogeräte abgeschaltet sein.

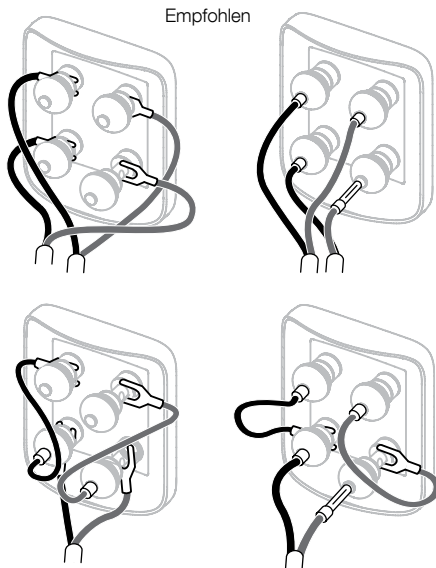
Die Lautsprecherklemmen bieten eine Reihe von Anschlussmöglichkeiten: So können 4-mm-Bananenstecker, 6-mm- und 8-mm-Kabelschuhe sowie blanke Drähte bis zu einem Durchmesser von 4 mm angeschlossen werden.



Wichtiger Sicherheitshinweis

In einigen, hauptsächlich europäischen Ländern wird die Verwendung von 4-mm-Bananensteckern als mögliches Sicherheitsrisiko betrachtet, da sie in die Löcher nicht gesicherter Netzsteckdosen gesteckt werden könnten. Um den europäischen CENELEC-Sicherheitsvorschriften zu entsprechen, sind die 4-mm-Löcher in den Enden der Anschlussklemmen mit Kunststoffstiften gesichert. Setzen Sie den Lautsprecher in einem dieser Länder ein, sollten Sie sicherstellen, dass die Bananenstecker nicht unsachgemäß von Kindern oder anderen nicht informierten Personen genutzt werden.

Lassen Sie sich bei der Auswahl der Lautsprecherkabel von Ihrem autorisierten Fachhändler beraten. Die Gesamtimpedanz sollte unterhalb der in den Technischen Daten angegebenen maximalen Kabelimpedanz liegen. Insbesondere sollte das zum Hochtöner führende Kabel eine geringe Induktivität besitzen, da sehr hohe Töne sonst gedämpft werden.

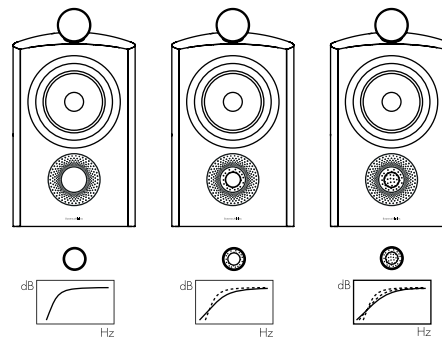


An der Lautsprecherrückseite befinden sich jeweils zwei Paar Anschlussklemmen, wodurch Bi-Wiring möglich ist (siehe oben). Im konventionellen Betrieb bringen Sie die beiliegenden Brücken an, um die Anschlussklemmen gleicher Polarität miteinander zu verbinden. Bi-Wiring kann die Detailtreue im Tieftonbereich verbessern.

Stellen Sie sicher, dass die positiven (mit einem roten Ring gekennzeichneten) Anschlussklemmen am Lautsprecher mit dem positiven Ausgang am Verstärker und die negativen (mit einem schwarzen Ring gekennzeichneten) Anschlussklemmen mit dem negativen Ausgang am Verstärker verbunden werden. Ein nicht korrektes Anschließen der Kabel führt zwar nicht zu Beschädigungen, kann aber eine Verschlechterung des Klangbildes und Bassverluste mit sich bringen. Schrauben Sie die Kapfen der Lautsprecherklemmen fest zu, um Geräusche zu vermeiden.

4. Feinabstimmung

805 D3

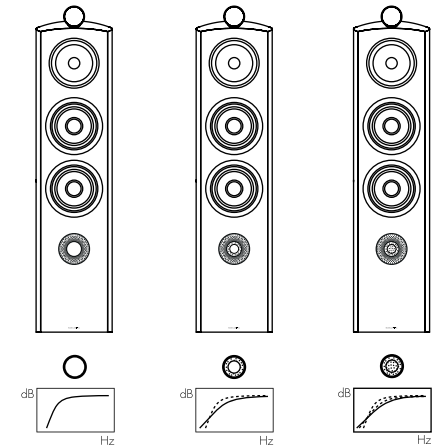


Vergewissern Sie sich vor der Feinabstimmung Ihres Systems noch einmal, dass alle Verbindungen richtig hergestellt wurden und alle Kabel ordnungsgemäß angeschlossen sind.

Ein größerer Abstand zwischen Lautsprechern und Wänden führt zu einer Reduzierung des Bassniveaus. Der Raum hinter den Lautsprechern schafft auch einen Eindruck der Tiefe. Umgekehrt wird das Bassniveau erhöht, wenn die Lautsprecher näher an die Wände gestellt werden. Möchten Sie das Bassniveau reduzieren, ohne den Abstand zwischen Lautsprechern und Wand zu vergrößern, setzen Sie die Schaumstoffeinsätze oder – wenn Sie eine geringere Reduzierung des Bassniveaus wünschen – nur die Schaumstoffringe in die Bassreflexöffnungen ein (siehe oben).

Steht das Bassniveau nicht im Einklang mit der Frequenz, so ist dies auf starke Resonanzen im Raum zurückzuführen. Selbst kleinste Änderungen bei der Lautsprecherpositionierung bzw. in der Hörposition können eine erhebliche Wirkung auf die wahrgenommene Klangqualität haben. So ändert sich die Klangqualität beispielsweise, wenn Sie die Hörposition verändern oder die Lautsprecher an eine andere Wand gestellt werden. Auch das Vorhandensein großer Möbelstücke und deren Position können erhebliche Auswirkungen haben.

804 D3



Ist das Klangbild in der Mitte schlecht, stellen Sie die Lautsprecher näher zusammen oder so auf, dass sie in Richtung Hörbereich zeigen.

Ist der Klang zu schrill, hilft die Verwendung weicher Einrichtungsgegenstände (wie z. B. schwerer Vorhänge). Umgekehrt sollte man bei dumpfem, leblosem Klang die Verwendung solcher Einrichtungsgegenstände auf ein Minimum reduzieren.

Der anspruchsvolle Hörer sollte den Grill für den Tief-/Mitteltonbereich entfernen, indem er die Kanten umfasst und sie vorsichtig vom Gehäuse abzieht.

5. Einlaufphase

In der Einlaufphase gibt es feine Unterschiede in der Wiedergabequalität des Lautsprechers. Wurde er in einer kühlen Umgebung gelagert, so wird es einige Zeit dauern, bis die Dämpfungskomponenten und die für die Aufhängung der Chassis eingesetzten Werkstoffe ihre optimalen mechanischen Eigenschaften besitzen. Die Aufhängung der Chassis wird mit den ersten Betriebsstunden beweglicher. Die Zeit, die der Lautsprecher benötigt, um seine maximale Leistungsfähigkeit zu entwickeln, schwankt abhängig von den vorherigen Lager- und Einsatzbedingungen. Grundsätzlich kann man sagen, dass es eine Woche dauert, bis sich die Lautsprecher nach Temperatureinwirkungen stabilisiert haben. 15 Betriebsstunden sind erforderlich, bis die mechanischen Teile ihre Funktion, wie bei der Konstruktion festgelegt, erfüllen können.

6. Pflege




Die Gehäuseoberfläche muss in der Regel nur abgestaubt werden. Wir empfehlen, dazu das dem Produkt beiliegende Tuch zu nutzen. Bei Verwendung eines Aerosol- oder sonstigen Reinigers sprühen Sie diesen zunächst auf das Tuch, nicht direkt auf das Gerät. Testen Sie zunächst an einer kleinen, unauffälligen Stelle, da einige Reinigungsprodukte die Oberflächen beschädigen. Verwenden Sie keine scharfen bzw. säure- oder alkalihaltigen oder antibakteriellen Produkte. Verwenden Sie für die Chassis keine Reinigungsmittel. Vermeiden Sie es, die Lautsprecherchassis zu berühren, da dies zu Beschädigungen führen kann.

Wird für das Gehäuse von Bower & Wilkins-Lautsprechern Echtholz furnier verwendet, so werden nur die feinsten Furniere ausgewählt und zum Schutz gegen UV-Licht mit einem Speziallack behandelt. Auf diese Weise werden im Laufe der Zeit auftretende Farbveränderungen minimiert. Bitte berücksichtigen Sie aber, dass Holz ein Naturwerkstoff ist, der auf die Einflüsse der Umgebung reagiert, so dass kleine Veränderungen in der Regel nicht ausbleiben. Sie können Farbunterschiede ausgleichen, indem Sie alle Furnieroberflächen gleichmäßig dem Sonnenlicht aussetzen, bis die Farbe wieder einheitlich ist. Dieser Prozess kann mehrere Tage oder sogar Wochen dauern, lässt sich aber durch den vorsichtigen Einsatz einer UV-Lampe beschleunigen. Halten Sie darüber hinaus, um Rissen vorzubeugen, einen ausreichenden Abstand zu direkten Wärmequellen wie Heizkörpern und Warmluftventilatoren.

1. Desembalaje

2. Ubicación

805 D3

	2
	8
	2

Contenido del Embalaje

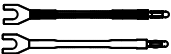



805 D3
 2 Parejas de puentes
 8 Tacos de plástico autoadhesivos
 2 Tapones de espuma de dos partes

804 D3
 2 Parejas de puentes
 8 Tornillos y tuercas de fijación M6 para las puntas de desacoplo
 8 Pies de goma
 2 Tapones de espuma de dos partes

La 805 D3 y la 804 D3 son muy pesadas, por lo que recomendamos fervientemente que sean desembaladas por dos personas en la sala en la que vayan a ser instaladas. También es recomendable despojarse de anillos, brazaletes, relojes etc. para evitar el riesgo de que se produzcan rasguños en el acabado de la superficie de las cajas acústicas.

La tabla superior muestra los componentes que acompañan a la 805 D3 y la 804 D3 en su correspondiente embalaje. En el caso poco probable de que falte algo, le rogamos que contacte con el detallista donde adquirió las citadas cajas acústicas.

804 D3

	2
	8
	8
	2

Todas las rejillas están fijadas magnéticamente. La más pesada, correspondiente a los altavoces de graves y medios, está embalada en un compartimento separado para evitar que se mueva durante su transporte.

Los diafragmas de los tweeters son muy delicados y fáciles de dañar. En la Serie 800 Diamond incluimos una rejilla con una malla de acero para proteger el tweeter de cualquier posible daño. No obstante, aún así usted debería ser lo más cuidadoso posible cuando manipule y limpie sus cajas acústicas.

Información Relativa a la Protección del Medio Ambiente

Este producto satisface varias directivas internacionales relacionadas con la protección del medio ambiente. Entre ellas se incluyen –aunque no son las únicas– las siguientes:

- i. la de Restricción del Uso de Sustancias Peligrosas (RHoS) en equipos eléctricos y electrónicos.
- ii. la de Registro, Evaluación, Autorización y Restricción del Uso de Componentes Químicos (REACH).
- iii. la de Eliminación de Residuos Procedentes de Componentes Eléctricos y Electrónicos (WEEE).

Contacte con sus autoridades locales en materia de gestión de residuos para que le orienten sobre cómo desechar este producto adecuadamente.

Instalación de la Caja Acústica Utilizando Estanterías de Pared (sólo para la 805 D3)

La caja acústica ha sido diseñada fundamentalmente para ser montada sobre un soporte de suelo dedicado (FS-805 D3), pero puede colocarse en una estantería aunque tal opción ofrezca menos flexibilidad a la hora de optimizar las prestaciones de aquélla. En el caso de que se deba optar por la ubicación en estantería, le recomendamos que utilice los tapones de espuma suministrados de serie para optimizar las prestaciones (ver Sección 5: Ajuste Fino).

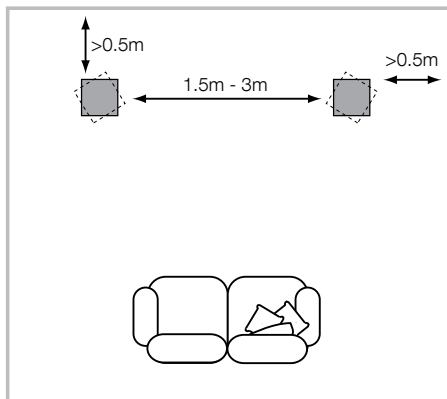
En ambas opciones de instalación, los tweeters de las cajas acústicas deberían situarse aproximadamente a la altura de sus oídos en su posición de escucha habitual.

Nota: Si utiliza una estantería, asegúrese de que sea lo suficientemente resistente para soportar adecuadamente el peso de la caja acústica y coloque los 4 pies autoadhesivos de plástico en la base de esta última.

FS-805 D3 o 804 D3

Tanto el FS-805 D3 como la 804 D3 están diseñados para ser montados únicamente sobre el suelo. Es importante asegurar que descansen firmemente sobre el suelo, utilizando los pies terminados en punta suministrados de serie allí donde sea posible.

Los pies terminados en punta –puntas de desacoplo– están diseñados para perforar alfombras y descansar sobre la superficie del suelo. Inicialmente, inserte las tuercas de bloqueo en los pies lo suficiente para que las mismas “floten” justo encima de la alfombra cuando las puntas descansen sobre el suelo que está

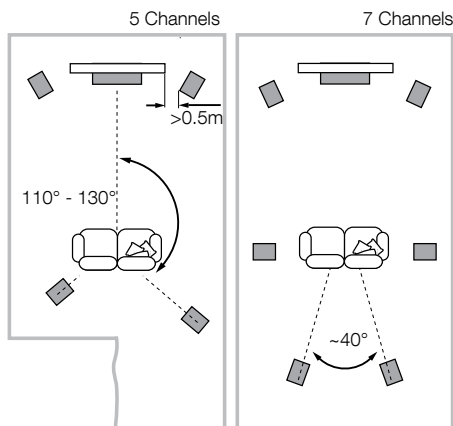


debajo. Fije completamente las puntas en los orificios dispuestos para ello en la base de la caja. Si el recinto o el soporte se mueve cuando es colocado en el suelo, afloje las dos puntas que no toquen este último hasta que el recinto descansa firmemente sin moverse. Ya para finalizar, fije las tuercas contra la base. Puede que resulte más conveniente colocar y ajustar las puntas de desacoplo una vez que la posición de la caja acústica haya sido optimizada.

En caso de que no haya alfombra y usted desee evitar posibles rasguños en la superficie del suelo, utilice un disco metálico protector, una base dedicada, una moneda entre la punta de desacoplo y el suelo o los pies de goma suministrados de serie. Coloque los pies de goma y nivele el recinto o soporte del mismo modo que cuando se utilizan las puntas de desacoplo.

Colocación de la Caja Acústica

Tanto en instalaciones estereofónicas como de Cine en Casa, intente asegurarse de que las zonas que rodean inmediatamente a cada caja acústica sean similares desde el punto de vista acústico. Por ejemplo, si una caja acústica está junto a una pared desnuda mientras que la otra está cerca de mobiliario y cortinas blandos, es más probable que tanto la calidad sonora global como la imagen estereofónica queden seriamente comprometidas.



Sistemas Estereofónicos Convencionales

Para empezar, las cajas acústicas deberían colocarse, separadas entre sí de 1'5 a 3 metros, en los dos vértices de un triángulo equilátero cuyo tercer vértice esté situado en el punto de escucha. Las cajas deberían separarse aproximadamente 0'5 metros de la pared posterior y al menos 0'5 metros de cualquier pared lateral (ver dibujo superior).

Sistemas de Cine en Casa

Si las cajas acústicas van a ser utilizadas para los canales frontales (principales) de un sistema de Cine en Casa, deberían estar más cerca entre sí que en un equipo de audio de 2 canales porque los canales de sonido envolvente tienden a ensanchar la imagen sonora. La colocación de las cajas acústicas a unos 0'5 metros de distancia de cada lado de la pantalla de visualización también ayudará a que la imagen del sonido envolvente esté proporcionada con respecto a la imagen visual. Al igual que sucede con el posicionado en sistemas estereofónicos convencionales, idealmente las cajas acústicas deberían estar separadas un mínimo de 0'5 metros de cualquier pared lateral. Si prefiere colocar las cajas acústicas contra la pared posterior y esta ubicación provoca un realce excesivo de los graves, diríjase a la sección Ajuste Fino del presente manual para obtener información sobre cómo utilizar los tapones de espuma suministrados de serie para corregir esta situación.

3. Conexión

Todas las conexiones deberían realizarse con todos los componentes del equipo de audio desconectados.

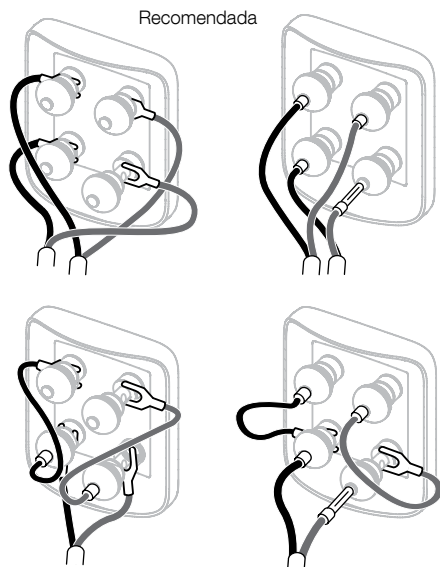
Los terminales de conexión de la 805 D3 y la 804 D3 aceptan una extensa variedad de terminaciones del cable: clavijas de tipo banana de 4 mm, cuchillas planas ("spades") de 6 y 8 mm o cables pelados de hasta 4 mm de diámetro.



Noticia Importante Relacionada con la Seguridad:

En ciertos países, sobre todo en Europa, las clavijas de tipo banana de 4 mm son consideradas como potencialmente peligrosas en términos de seguridad porque pueden ser insertadas por error en los orificios de tomas de corriente eléctrica no protegidas. Con el fin de satisfacer la normativa europea de seguridad CENELEC, los orificios de 4 mm situados en los extremos de los terminales están bloqueados por patillas de plástico. Si usted va a utilizar los productos en algún país en el que se aplique dicha normativa, asegúrese de que las clavijas de tipo banana no puedan ser empleadas de manera no segura por niños u otras personas no informadas.

Consulte a su distribuidor para que le aconseje a la hora de elegir el cable de conexión. Mantenga siempre la impedancia total por debajo del máximo recomendado en las características técnicas y utilice un cable de baja inductancia para evitar que se produzcan atenuaciones en las frecuencias más altas.

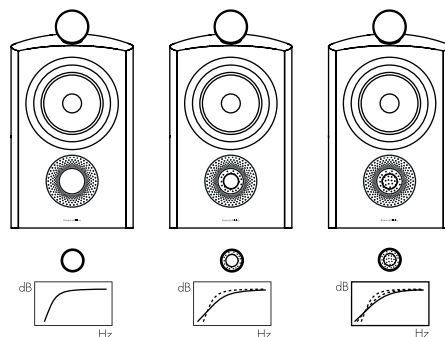


En la parte posterior de la caja acústica hay dos pares de terminales de conexión para facilitar el bicableado (arriba). Para realizar una conexión convencional en monocableado, coloque los puentes suministrados de serie de tal modo que los terminales positivos y los terminales negativos estén unidos entre sí (es decir, positivo a positivo y negativo a negativo). El bicableado puede mejorar la resolución de los detalles de bajo nivel.

Asegúrese de que los terminales positivos de la caja acústica (anillo de color rojo) son conectados al terminal de salida positivo del amplificador y que los terminales negativos de la caja acústica (anillo de color negro) son conectados al terminal de salida negativo del amplificador. Una conexión incorrecta podría tener como resultado una imagen sonora pobre y una pérdida de graves. Fije siempre firmemente los terminales de conexión para evitar que vibren.

4. Ajuste Fino

805 D3

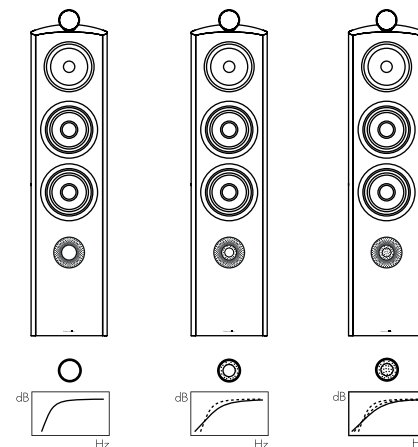


Antes de proceder al ajuste fino, verifique cuidadosamente que todas las conexiones de la instalación sean correctas y seguras.

Cada vez que aumente la separación entre las cajas acústicas y las paredes laterales y posterior de la sala se reducirá el nivel general de graves. El espacio situado detrás de las cajas también contribuye a crear una sensación aural de profundidad. Por el contrario, si acerca las cajas acústicas a las paredes el nivel de graves aumentará. Si desea reducir el nivel de graves sin separar más las cajas acústicas de la pared, coloque los taponetes de espuma en los puertos bass-reflex. Si desea que la reducción de graves sea menos severa, coloque los anillos de espuma en los puertos bass-reflex (dibujo superior).

Si la respuesta en graves se desestabiliza a menudo, lo más probable es que se deba a la excitación de modos de resonancia en la sala de escucha. Incluso pequeños cambios en la posición de las cajas acústicas o los oyentes pueden tener un profundo efecto en la manera en que dichas resonancias afectan al sonido. Intente colocar las cajas acústicas a lo largo de una pared diferente. El cambio de posición de muebles y objetos de gran tamaño presentes en la sala también puede modificar el sonido.

804 D3



Si la imagen central carece de focalización, intente acercar las cajas acústicas entre sí o inclínelas de manera que apunten hacia los oyentes o estén encaradas hacia ellos.

Si el sonido es demasiado brillante (léase chillón), el aumento de la cantidad de materiales blandos (generalmente fonoabsorbentes) presentes en la sala (utilice, por ejemplo, cortinas más pesadas) puede ayudar a equilibrarlo. Por el contrario, si se reduce la presencia de los citados materiales se conseguirá incrementar el nivel de brillo de un sonido apagado y carente de vida.

Para los más puristas, un buen consejo consiste en quitar la rejilla protectora de los altavoces de medios y graves sujetándola por su contorno y retirándola cuidadosamente del recinto.

5. Período de Rodaje

Las prestaciones de la caja acústica cambiarán de manera sutil durante el período de escucha inicial. Si la caja ha estado almacenada en un ambiente frío, tanto los materiales absorbentes y de amortiguamiento acústico como los que forman parte de los sistemas de suspensión de los diferentes altavoces tardarán cierto tiempo en recuperar sus propiedades mecánicas correctas. Las suspensiones de los altavoces también se relajarán durante las primeras horas de uso. El tiempo que la caja acústica necesite para alcanzar las prestaciones para las que fue diseñada variará en función de las condiciones de almacenamiento previas de la misma y de cómo se utilice. A modo de guía, deje transcurrir una semana para la estabilización térmica de la caja y unas 15 horas de uso en condiciones normales para que las partes mecánicas de la misma alcancen las características de funcionamiento para las que fueron diseñadas.

6. Cuidado y Mantenimiento

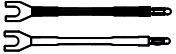


Por regla general, la superficie del recinto sólo requiere que se le quite el polvo, para lo que le recomendamos que utilice la gamuza suministrada de serie con las mismas. Si desea utilizar un limpiador de tipo aerosol o de otro tipo, aplíquelo en la gamuza de limpieza, nunca directamente sobre el producto. Pruebe primero con un área pequeña, ya que algunos productos de limpieza pueden dañar algunas de las superficies. Evite utilizar productos abrasivos o que contengan ácido, álcalis o agentes antibacterianos. No utilice productos de limpieza en los altavoces. Asimismo, evite tocar los transductores ya que podría dañarlos.

Sean cuales sean las cajas acústicas Bowers & Wilkins terminadas en madera auténtica que usted posea, tenga en cuenta que en todos los casos se han seleccionado las mejores chapas disponibles a la vez que las mismas han sido tratadas con lacas resistentes a la radiación ultravioleta con el fin de minimizar posibles cambios de color a lo largo del tiempo. Aún así, y como es norma en todos los materiales naturales, cada tipo de chapa responderá a su entorno, por lo que es de esperar que se produzcan ciertos cambios de color. Las diferencias de color pueden ser rectificadas exponiendo por igual y de manera uniforme todas las superficies de madera a la luz solar hasta que el color sea uniforme. Este proceso puede tardar varios días o incluso semanas en completarse, aunque puede ser acelerado mediante el empleo cuidadoso de una lámpara ultravioleta. Asimismo, las superficies chapadas en madera noble deberían mantenerse alejadas de fuentes directas de calor tales como radiadores y salidas de aire caliente con el fin de evitar posibles agrietamientos en las mismas.

1. Desempacotamento

2. Posicionamento

805 D3

	2
	8
	2

Conteúdos da caixa

805 D3

- 2 pares de cabos de ligação
- 8 bases de plástico autocolantes
- 2 cilindros de espuma de duas peças

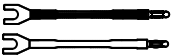


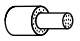
804 D3

- 2 pares de cabos de ligação
- 8 bases das tachas M6 e contraporcas
- 8 bases de borracha
- 2 cilindros de espuma de duas peças

As colunas 805 D3 e 804 D3 são muito pesadas e, por isso, recomendamos que sejam desempacotadas por duas pessoas, na divisão onde irão ser utilizadas. Além disso, aconselhamos a remoção de jóias para evitar riscar o acabamento da superfície das colunas.

A tabela acima ilustra os componentes que estão incluídos com as colunas 805 D3 e 804 D3. No caso pouco provável de faltar algum componente, contacte o vendedor responsável pela venda das colunas.

804 D3

	2
	8
	8
	2

Todas as grelhas são fixadas de forma magnética.

A grelha de graves/médio alcance, por ser mais pesada, é embalada num compartimento separado, para evitar movimentos durante o transporte.

Os diafragmas do tweeter são muito delicados e sofrem danos com facilidade. Na Série 800 Diamond, incluímos uma grelha de aço que protege o tweeter de todo o tipo de danos. Ainda assim, deve manusear e limpar as colunas com cuidado.

Informação ambiental

Este produto está em conformidade com as directivas internacionais, incluindo mas não se limitando a:

- i. Directiva relativa à restrição do uso de determinadas substâncias perigosas (RoHS - **R**estriction of **H**azardous **S**ubstances) em equipamentos eléctricos e electrónicos;
- ii. Regulamento relativo ao registo, avaliação, autorização e restrição de substâncias químicas (REACH - **R**egistration, **E**valuation, **A**uthorisation and restriction of **C**hemicals);
- iii. Directiva relativa aos **R**esíduos de **E**quipamentos **E**lectrónicos e **E**léctricos (REEE).

Consulte uma entidade local de recolha de lixo para obter informação sobre como reciclar ou eliminar este produto de forma correcta.

Instalação das colunas

Em prateleiras de parede (apenas para 805 D3)

A coluna foi originalmente concebida para ser instalada num suporte de chão específico (FS-805 D3), mas pode ser colocada numa prateleira, ainda que se reduza a flexibilidade de optimização do desempenho da coluna. Se as colunas forem colocadas numa prateleira, recomendamos a utilização dos cilindros de espuma (fornecidos) para otimizar o desempenho das portas (consultar a secção 5: Ajustes).

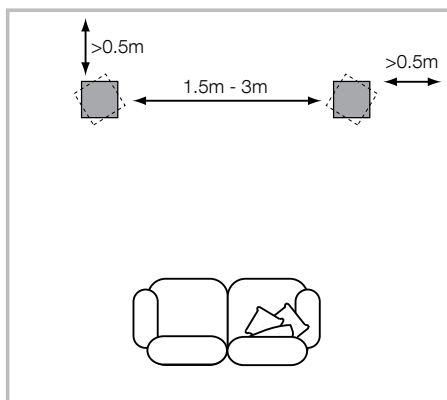
Em ambos os casos, os tweeters das colunas devem ficar sensivelmente ao nível dos ouvidos, tendo em conta a sua posição de audição habitual.

Nota: Se utilizar uma prateleira, certifique-se de que esta é suficientemente resistente para suportar o peso e aplique as 4 bases de plástico autocolantes na parte inferior da coluna.

FS-805 D3 ou 804 D3

As colunas FS-805 D3 e 804 D3 foram projectadas para serem instaladas apenas no chão. É importante garantir que estão bem apoiadas no chão, utilizando, sempre que possível, as bases das tachas fornecidas.

As bases das tachas foram concebidas para furar tapetes, ficando apoiadas na superfície do chão. Comece por apertar as contraporcas nas tachas, de forma a que fiquem suspensas imediatamente acima do tapete com as tachas apoiadas no chão. Aperte completamente as tachas nos encaixes roscados da base. Se a caixa ou o suporte das colunas oscilarem quando estiverem colocados no chão, desaperte as duas tachas que não estão em contacto com o chão, até que estejam firmemente apoiados e não oscilem.



Para concluir, bloqueie novamente as porcas na base. Poderá ser mais conveniente instalar e ajustar as bases das tachas depois de alcançar um posicionamento ideal das colunas.

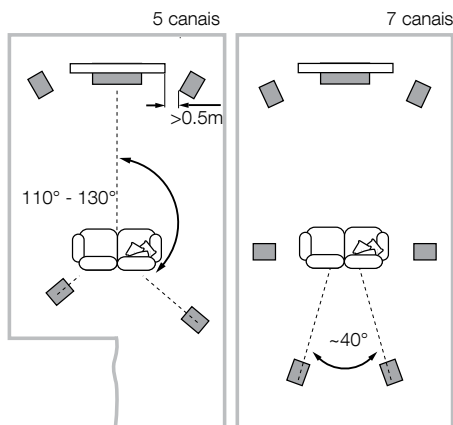
Se não existir um tapete e pretender evitar arranhar a superfície do chão, utilize um disco de protecção de metal, uma protecção contra tachas, uma moeda entre a tacha e o chão, ou as bases de borracha fornecidas. Instale a base de borracha e nivele a caixa ou o suporte das colunas da mesma forma que fez com as bases das tachas.

Posicionamento das colunas

Seja em instalações de sistemas estéreo ou em instalações de cinema em casa, assegure-se de que o espaço envolvente de cada coluna tem características acústicas semelhantes. Por exemplo, se uma coluna estiver próxima de uma parede e a outra estiver perto de cortinados ou de mobília com revestimento macio, a qualidade geral do som e a imagem de sistemas estéreo ficarão comprometidas.

Sistemas estéreo convencionais

Para começar, as colunas devem ser posicionadas a uma distância de 1,5 m a 3 m uma da outra, em dois cantos de um triângulo equilátero que fica completo com a posição de audição, correspondendo esta ao terceiro canto. As colunas devem estar afastadas da parede traseira em cerca de 0,5 m e, pelo menos, a uma distância de 0,5 m das paredes laterais (ver acima).



Sistemas de cinema em casa

Se as colunas forem utilizadas para os canais frontais de um sistema de cinema em casa, devem ficar mais próximas uma da outra do que se forem utilizadas para sistemas de áudio de dois canais, já que os canais surround tendem a alargar a imagem. Posicionar as colunas a aproximadamente 0,5 m da parte lateral do ecrã também contribui para manter a imagem acústica equilibrada com a imagem visual. Tal como acontece no posicionamento em sistemas estéreo convencionais, as colunas devem estar a uma distância de, pelo menos, 0,5 m das paredes laterais. Caso prefira colocar as colunas junto à parede de trás e se isso resultar numa ênfase excessiva dos sons graves, consulte a secção "Ajustes" deste manual para saber como utilizar os cilindros de esponja.

Todas as ligações devem ser feitas com o equipamento áudio desligado.

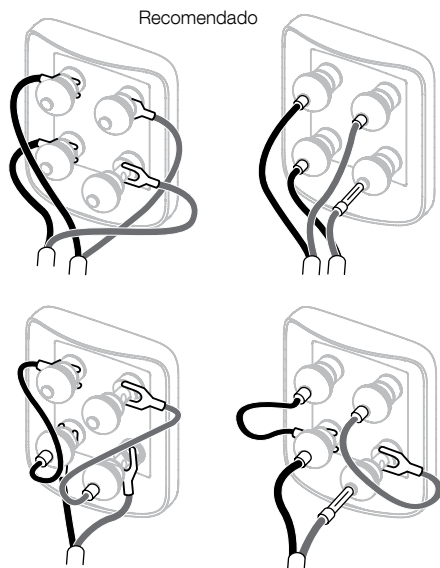
Os terminais das colunas 805 D3 e 804 D3 são compatíveis com várias terminações de cabos: fichas banana de 4 mm, forquilhas de 6 mm e 8 mm (1/4 pol. e 5/16 pol.) ou cabos nus com um máximo de 4 mm (5/32 pol.) de diâmetro.



Aviso de segurança importante

Em alguns países, especialmente europeus, a utilização de fichas banana de 4 mm é considerada um risco potencial de segurança, uma vez que podem ser introduzidas em tomadas de parede desprotegidas. De forma a cumprir as normas de segurança europeias CENELEC, os orifícios de 4 mm nas extremidades dos terminais estão bloqueados por pinos de plástico. Se estiver a utilizar os produtos num país onde estas condições se apliquem, deve garantir que as fichas banana não são utilizadas de forma pouco segura por crianças ou outras pessoas desinformadas.

Peça aconselhamento ao seu fornecedor sobre a escolha de cabos para as colunas. Mantenha a impedância total abaixo do valor máximo recomendado nas especificações das colunas e utilize um cabo de indutância baixa para evitar a atenuação de frequências altas.

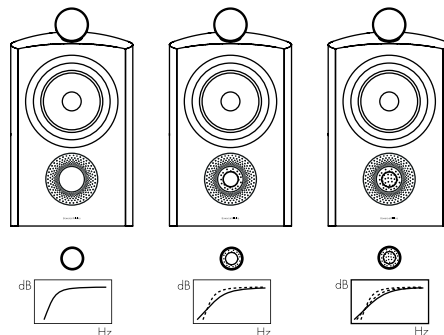


Existem dois pares de terminais na parte de trás de cada coluna que possibilitam uma cablagem dupla (topo). Para uma ligação simples, encaixe os cabos de ligação fornecidos de forma a ligar os terminais com a mesma polaridade. A cablagem dupla pode melhorar a resolução dos detalhes de níveis mais baixos.

Certifique-se de que os terminais positivos da coluna (com um anel vermelho) estão ligados ao terminal de saída positivo do amplificador e que os terminais negativos da coluna (com um anel preto) estão ligados ao terminal de saída negativo do amplificador. Uma ligação incorrecta não provoca danos, mas pode resultar numa imagem estéreo fraca e na perda de sons graves. Aperte sempre as capas dos terminais ao máximo para evitar ruídos.

4. Ajustes

805 D3

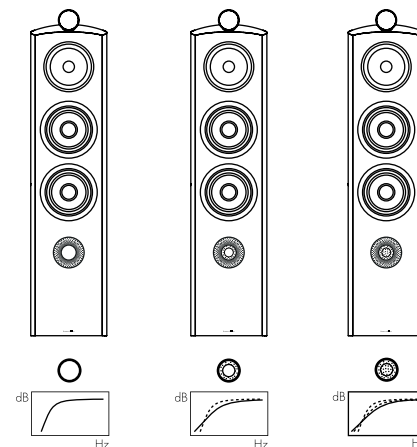


Antes de proceder aos ajustes, certifique-se de que todas as ligações na instalação estão correctas e são seguras.

Geralmente, o maior afastamento das colunas em relação às paredes reduz o volume dos sons graves. A existência de espaço atrás das colunas também ajuda a criar uma sensação de profundidade do som. Em contrapartida, a maior aproximação das colunas em relação às paredes aumenta o volume dos sons graves. Se pretender reduzir o volume dos sons graves sem ter de afastar as colunas da parede, aplique os cilindros de espuma ou, para uma redução mais atenuada dos graves, os anéis de espuma nos tubos das portas (ver acima).

Se os sons graves parecerem estar desajustados em relação à frequência, é muito provável que tal se deva aos meios de ressonância da divisão de audição. Uma simples alteração na posição das colunas ou no local de audição pode ter um efeito significativo na forma como estas ressonâncias afectam o som. Experimente alterar o local de audição ou colocar as colunas ao longo de uma parede diferente. A existência e o posicionamento de mobiliário de grandes dimensões também pode influenciar os meios de ressonância.

804 D3



Se a imagem central não estiver focada, experimente aproximar as colunas ou voltá-las para dentro, de modo a que fiquem voltadas para um local imediatamente em frente do local de audição.

Se o som for demasiado agudo, o aumento da quantidade de mobiliário com revestimento macio na divisão (por exemplo, cortinas mais pesadas) poderá ajudar a equilibrar o som. Em contrapartida, reduzir a quantidade de mobiliário com revestimento macio poderá ajudar a tornar mais agudo um som demasiado grave.

Para uma audição mais clara, remova as grelhas de graves/médio alcance segurando-as pelas extremidades e puxando-as delicadamente para fora da caixa.

5. Utilização inicial

O desempenho das colunas terá variações subtis durante a primeira fase de audição. Se a coluna tiver sido armazenada num ambiente frio, os materiais de amortecimento e de suspensão dos diafragmas levarão algum tempo até recuperarem as suas propriedades mecânicas correctas. As suspensões dos diafragmas também ganharão mais flexibilidade após as primeiras horas de utilização. O tempo requerido para que as colunas atinjam o desempenho pretendido varia consoante as condições de armazenamento prévio e a forma de utilização das mesmas. Por norma, deverá esperar até uma semana para que os efeitos da temperatura estabilizem e cerca de 15 horas de utilização para que as peças mecânicas funcionem de acordo com as características previstas.

6. Manutenção




Geralmente, basta limpar o pó das superfícies da caixa das colunas. Recomendamos a utilização do pano fornecido com o produto. Se utilizar um spray ou outro produto de limpeza, aplique-o no pano e não directamente no equipamento e teste primeiro numa área mais reduzida, já que alguns produtos de limpeza podem danificar algumas superfícies. Evite utilizar produtos abrasivos ou que contenham agentes ácidos, alcalinos ou antibacterianos. Não utilize produtos de limpeza nos diafragmas. Evite tocar nos diafragmas, para evitar danos.

Em colunas Bowers & Wilkins com acabamento em madeira, as melhores folhas são seleccionadas e tratadas com um verniz resistente aos raios ultravioleta para minimizar a possibilidade de alterações de coloração com o passar do tempo. No entanto, tal como acontece com todos os materiais naturais, a folha reage ao ambiente e é normal que haja alguma descoloração. Para corrigir diferenças na coloração, exponha todas as superfícies à luz solar de igual forma e durante um período de tempo semelhante até que a cor fique uniforme. Este processo pode demorar vários dias ou até semanas, mas é possível acelerá-lo se utilizar, com prudência, uma lâmpada ultravioleta. As superfícies de folha de madeira também devem manter-se afastadas de fontes directas de calor, tais como aquecedores ou ar condicionado, para evitar que estalem.

1. Rimozione dall'imballo

2. Posizionamento dei diffusori

805 D3

	2
	8
	2

Contenuto delle confezioni

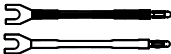



805 D3
2 coppie cavi di collegamento morsetti
8 piedini autoadesivi
2 doppi inserti cilindrici in spugna

804 D3
2 coppie cavi di collegamento morsetti
8 piedini a punta e dadi di bloccaggio M6
8 piedini in gomma
2 doppi inserti cilindrici in spugna

I diffusori 805 D3 e 804 D3 sono molto pesanti: vi suggeriamo vivamente di essere in almeno due persone a compiere il lavoro e di farlo direttamente nel locale dove verranno impiegati. Inoltre prima di iniziare è buona precauzione levarsi orologi da polso, braccialetti, anelli, etc. per evitare di graffiare le superfici dei mobili.

Le tabelle sopra riportate elencano gli accessori che accompagnano i diffusori 805 D3 e 804 D3. Nel caso mancasse qualche elemento, contattate il rivenditore dove avete effettuato l'acquisto.

804 D3

	2
	8
	8
	2

Le griglie più pesanti che coprono woofer e midrange sono fissate tramite magneti e sono imballate a parte per prevenire danni durante il trasporto.

Le membrane dei tweeter sono molto delicate ed è facile danneggiarle. Nei modelli della Serie 800 Diamond viene posta davanti al tweeter una piccola griglia in acciaio per proteggerlo da danni accidentali. Ciò non ostante è necessario prestare molta attenzione nel maneggiare i diffusori o durante le operazioni di pulizia.

Informazioni per l'ambiente

Questo prodotto è realizzato in conformità (e non limitatamente) alle seguenti normative internazionali:

- I. la limitazione delle sostanze pericolose (RoHS) negli apparecchi elettrici ed elettronici,
- II. la registrazione, valutazione, autorizzazione e restrizione delle sostanze chimiche (REACH),
- III lo smaltimento delle apparecchiature elettriche ed elettroniche (WEEE).

Fare riferimento alle indicazioni dell'autorità del vostro Paese per il corretto riciclo o smaltimento del prodotto.

Installazione**Utilizzo su mensole a muro (solo diffusori 805D3)**

Il diffusore è progettato per funzionare sui supporti da pavimento dedicati FS-805 D3, ma può essere collocato anche su mensole a muro, sebbene ciò limiti molto l'ottimizzazione delle prestazioni attraverso un'attenta ricerca della posizione migliore. Nel caso si preferisca questo tipo di installazione, si raccomanda di utilizzare gli inserti in spugna forniti per ottimizzare la risposta alle basse frequenze. A tal proposito si veda la sezione 5. *Regolazione fine* più avanti.

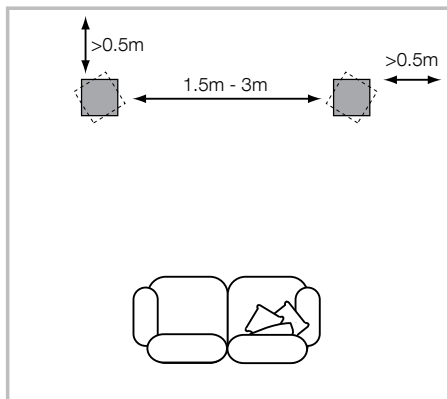
In ogni caso è opportuno che il tweeter si trovi approssimativamente in linea con l'orecchio dell'ascoltatore seduto nell'abituale posizione d'ascolto.

Nota: Se si sceglie di posizionarli sopra delle mensole, assicuratevi che siano sufficientemente robuste per sopportarne il peso ed applicate 4 piedini autoadesivi sotto ciascun diffusore.

Supporti FS-805 D3 o diffusori 804 D3

Sia i supporti FS-805 D3 che i diffusori 804 D3 sono stati progettati per il solo utilizzo a pavimento. È importante assicurare che essi poggino stabilmente sul pavimento senza oscillare, preferibilmente montando i piedini a punta in dotazione.

I piedini a punta sono progettati appositamente per penetrare attraverso un eventuale tappeto in modo da poggiare direttamente sul pavimento sottostante. Come prima cosa montare i dadi di bloccaggio sui piedini in modo che rimangano al di sopra del tappeto quando le punte toccano il pavimento. Avvitare completamente i piedini negli inserti filettati della base.



Se il diffusore non è perfettamente stabile, svitare i due piedini che non toccano il pavimento fino a stabilizzarlo su tutte e quattro le punte. Da ultimo serrare i dadi contro la base del mobile. Si consiglia di regolare l'altezza dei piedini e stringere i dadi dopo avere trovato la collocazione ottimale del diffusore.

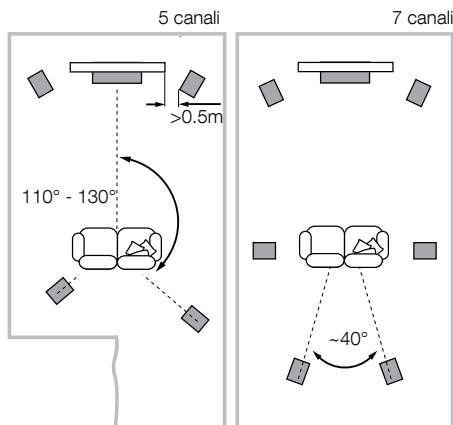
Se nel locale non sono presenti tappeti e si desidera evitare graffi al pavimento, è possibile mettere un dischetto metallico protettivo (ad esempio una piccola moneta) sotto ciascuna punta, oppure montare i piedini in gomma in dotazione. Installare i piedini in gomma e livellare il diffusore seguendo la stessa procedura indicata per quelli a punta.

Posizionamento

Sia in impianti stereo che home theatre, cercare di assicurarsi che l'ambiente nelle immediate vicinanze di ciascun diffusore presenti caratteristiche acustiche il più possibile uguali. Ad esempio, se un diffusore si trova in prossimità di una parete spoglia mentre l'altro si trova vicino ad una tenda, un mobile o un divano, tanto la qualità sonora nel suo insieme, quanto l'immagine stereofonica rischiano di venir compromesse.

Sistemi stereo convenzionali

Inizialmente i diffusori dovrebbero venir collocati ad una distanza tra loro compresa tra 1,5 e 3 m ed agli angoli di un triangolo equilatero il cui vertice inferiore è rappresentato dal punto d'ascolto. I diffusori dovrebbero inoltre trovarsi a circa 0,5 m da ciascuna delle pareti circostanti (vedi figura in alto).



Sistemi Home Theatre

Se i diffusori vengono utilizzati come canali frontali in un sistema home theatre, essi dovrebbero essere posizionati più vicini tra loro rispetto ad un sistema stereo, in quanto i canali surround tendono ad allargare l'immagine sonora. Una collocazione a circa 0,5 m dai bordi dello schermo video aiuta a mantenere l'immagine sonora in scala con le proporzioni di quanto osservato visivamente. Come negli impianti stereo, anche in questo caso i diffusori dovrebbero trovarsi idealmente ad almeno 0,5 m sia dalla parte di fondo, sia da quella laterale. Qualora si preferisse mantenere i diffusori a ridosso della parete di fondo ed in tale posizione la gamma bassa risultasse eccessivamente enfatizzata, si veda la sezione 5. *Regolazione fine* più avanti dove viene descritto l'impiego degli inserti in spugna.

Tutti i collegamenti devono essere effettuati con i componenti dell'impianto spenti.

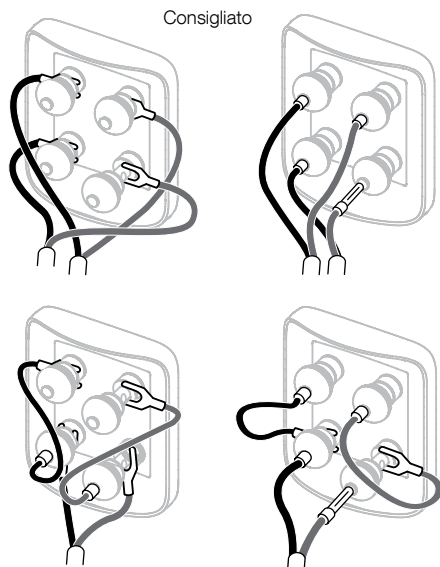
I morsetti dei diffusori 805 D3 e 804 D3 accettano cavi con svariate terminazioni: spinotti a banana da 4 mm, forcelle da 6 mm e 8 mm oppure cavi spellati fino a 4 mm di diametro.



Importante avvertenza di sicurezza

In alcuni Paesi, in particolare in Europa, l'uso di spinotti a banana da 4 mm viene considerato potenzialmente pericoloso, perché potrebbero essere inseriti nei fori di prese di alimentazione non protette. Per soddisfare le normative di sicurezza europee CENELEC, i fori da 4 mm sui morsetti sono ostruiti da elementi in plastica. Se state utilizzando i diffusori in un Paese dove è in vigore tale normativa, assicuratevi che nessun spinotto a banana venga utilizzato in modo improprio da bambini o persone non informate del potenziale pericolo.

Chiedete consiglio al vostro rivenditore per scegliere un cavo per altoparlanti adatto. Mantenete la sua impedenza totale sotto al valore massimo indicato nelle specifiche tecniche del diffusore ed utilizzate un tipo a bassa induttanza per evitare attenuazioni alle alte frequenze.

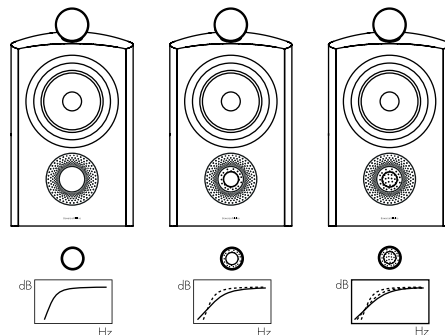


Sul retro di ciascun diffusore sono presenti due coppie di morsetti che consentono il collegamento in bi-wiring (figure in alto). Per le connessioni tramite un unico cavo, vengono forniti dei cavetti con terminazioni a banana da un lato e a forcella dall'altro per unire tra loro con un punticello i morsetti della stessa polarità. Il collegamento in bi-wiring di solito migliora la risoluzione dei dettagli a bassi livelli.

Assicuratevi che i terminali positivi dei diffusori (con fascia di colore rosso) siano collegati ai corrispondenti terminali positivi dell'amplificatore e così i terminali negativi del diffusore (con fascia di colore nero) a quelli negativi dell'amplificatore. Un collegamento errato non crea danni, ma darà origine ad una scadente immagine stereo e ad un'insufficiente gamma bassa. Avvitare sempre fino in fondo i cappucci dei morsetti per prevenire fastidiosi rumori durante il funzionamento del diffusore.

4. Regolazione fine

805 D3

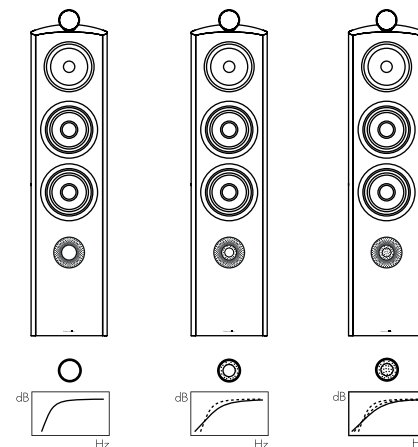


Prima procedere con la regolazione fine, assicuratevi che tutti i collegamenti dell'impianto siano corretti e stabili.

Allontanando i diffusori dalle pareti generalmente si riduce il livello dei bassi. Un maggior spazio dietro ad essi incrementa poi la sensazione di profondità della scena acustica. Al contrario avvicinando i diffusori alle pareti la gamma bassa viene rinforzata. Se si desidera ridurre i bassi senza allontanare ulteriormente i diffusori dalle pareti, inserire nei condotti d'accordo sul retro gli inserti in spugna completi o, per un effetto meno marcato, i soli anelli esterni (vedi figura in alto).

Se il basso appare irregolare, ciò è generalmente dovuto all'eccitazione dei modi di risonanza dell'ambiente. Anche piccoli cambiamenti nella posizione dei diffusori o del punto d'ascolto possono avere grande influenza su come queste risonanze alterano il suono. Provare ad esempio a cambiare posizione d'ascolto collocando i diffusori a ridosso di una parete diversa. Anche la presenza e la posizione di grandi mobili può influire significativamente sui modi di risonanza del locale.

804 D3



Se l'immagine sonora non risulta correttamente focalizzata al centro, provare a posizionare i diffusori più vicini tra loro oppure ad angolare il loro frontale in modo che puntino verso una zona leggermente più avanti rispetto alla posizione d'ascolto.

Se il suono fosse troppo aspro, un aumento della quantità di tessuti nel locale (ad esempio utilizzando tendaggi più pesanti) può essere d'aiuto per compensare lo squilibrio. Al contrario, riducendoli, si può contribuire a ravvivare un suono altrimenti spento ed opaco.

Per un ascolto nelle migliori condizioni, rimuovete le griglie a protezione di midrange e woofer afferrandole ai bordi e tirandole delicatamente verso di voi.

5. Rodaggio

Le prestazioni dei diffusori possono variare leggermente durante il periodo iniziale di ascolto. Se sono stati conservati in un ambiente freddo, i materiali smorzanti e le sospensioni degli altoparlanti necessiteranno di un certo intervallo di tempo per recuperare le loro proprietà meccaniche. Anche le sospensioni esterne tenderanno ad allentarsi durante le prime ore di utilizzo. Il tempo necessario al diffusore per arrivare alle prestazioni ottimali varia in base alle condizioni del precedente immagazzinaggio e da come viene utilizzato. Indicativamente può trascorrere fino ad una settimana perché gli effetti della temperatura si stabilizzino e 15 ore di utilizzo medio affinché le parti meccaniche raggiungano le caratteristiche ottimali definite in fase di progetto.

6. Manutenzione

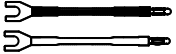


I mobili dei diffusori normalmente necessitano solo di essere spolverati. Raccomandiamo l'utilizzo del panno fornito in dotazione. Se preferite utilizzare un prodotto spray per la pulizia, applicatelo sul panno, non direttamente sul mobile. Vi consigliamo altresì di provare prima a pulire una piccola area non in vista, dal momento che alcuni detergenti troppo aggressivi potrebbero danneggiare la finitura del diffusore. Non impiegate prodotti abrasivi o contenenti acidi, alcali oppure agenti anti-batterici. Non utilizzate alcun prodotto per la pulizia sugli altoparlanti ed evitate anche di toccarli, poiché potreste danneggiarli.

I diffusori Bowers & Wilkins con finitura in legno naturale, scelto tra i più pregiati e selezionato con cura, sono trattati con una lacca resistente ai raggi ultra-violetti per minimizzare le variazioni di colore nel tempo. Tuttavia, come tutti i materiali naturali, il legno subisce l'influenza degli agenti esterni, in particolare della luce solare, e può cambiare leggermente colore. Eventuali differenze possono essere compensate esponendo le superfici in ombra alla luce del sole fino a che il colore non risulti uniforme. Questo processo può richiedere diversi giorni e perfino settimane, ma può essere velocizzato utilizzando con cautela una lampada a raggi ultra-violetti. Le superfici in legno andrebbero anche tenute lontane da fonti dirette di calore, come, ad esempio, termosifoni o termoconvettori ad aria per evitare l'insorgenza di piccole crepe nella venatura del legno.

1. Uitpakken

2. Opstelling

805 D3

	2
	8
	2

Inhoud doos

805 D3

2 paar verbindingdraadjes
8 zelfklevende kunststof kussentjes
2 tweedelige dopjes van schuim





804 D3

2 paar verbindingdraadjes
8 M6-schroeven met spitse punt en borgmoer
8 rubberen voetjes
2 tweedelige dopjes van schuim

De 805 D3 en 804 D3 zijn bijzonder zwaar en we raden u daarom dringend aan ze uit te pakken in de kamer waar ze zullen worden opgesteld en dit met twee personen uit te voeren. Het is verder verstandig armbanden en dergelijke af te doen om beschadiging van de luidsprekers te voorkomen.

In de tabel hierboven kunt u zien welke items bij de 805 D3 en 804 D3 zijn gevoegd. Mocht er iets ontbreken neem dan direct contact op met uw leverancier.

804 D3

	2
	8
	8
	2

Alle grills zijn magnetisch bevestigd. De zware grill voor de woofers en de middentoner is afzonderlijk verpakt om losraken tijdens transport te voorkomen.

De domes van de tweeters zijn uiterst kwetsbaar en worden gemakkelijk beschadigd. We hebben de 800 Serie Diamond voorzien van een stalen grille waarmee de tweeter wordt beschermd tegen allerlei soorten schade. U moet echter wel voorzichtig te werk gaan wanneer u de luidsprekers verplaatst en reinigt.

Informatie over het Milieu

Dit product voldoet aan de internationale richtlijnen waaronder, maar daartoe niet beperkt:

- i. de **Restriction of Hazardous Substances (RoHS)** voor elektrische en elektronische apparatuur;
- ii. de **Registration, Evaluation, Authorisation and restriction of CHemicals (REACH)**;
- iii. de afvoer van **Waste Electrical and Electronic Equipment (WEEE)**.

Raadpleeg de plaatselijke milieudienst voor informatie over het verantwoord afvoeren van overtollige of afgedankte apparatuur.

De luidspreker installeren

Met planken aan de muur (alleen 805 D3)

De luidspreker is in eerste instantie ontworpen voor montage op een speciale vloerstandaard (FS-805 D3), maar hij kan ook op een plank worden geplaatst. Daardoor verliest u wel enige flexibiliteit bij de optimalisatie van de luidsprekerprestaties. Als plaatsing op een plank toch nodig is, adviseren wij u gebruik te maken van de insteekdopjes van schuim (meegeleverd) om de geluidsweggeve via de poort te optimaliseren (zie hoofdstuk 5: Fijnafstemming).

Bij beide installatieopties moeten de tweeters van de luidsprekers zich ongeveer op oorhoogte bevinden als u zich in uw normale luisterpositie bevindt.

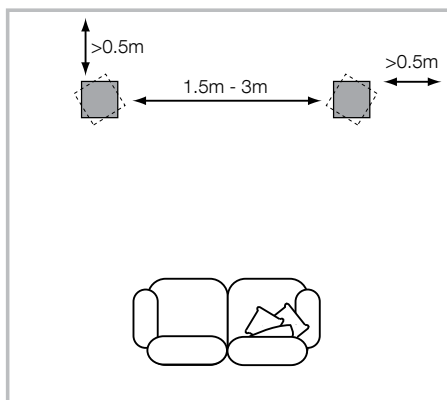
Opmerking: Gebruikt u een plank, zorg er dan voor dat die groot en sterk genoeg is voor het gewicht van de luidspreker en plaats de vier zelfklevende plastic pootjes aan de onderkant van de luidspreker.

FS-805 D3 of 804 D3

FS-805 D3 en 804 D3 zijn enkel bedoeld voor montage op de vloer. Het is belangrijk dat ze stevig op de vloer staan met behulp van de meegeleverde pootjes met spitse punt.

Deze zijn ontworpen om door tapijt heen te drukken en op het vloeroppervlak te rusten. Draai de borgmoeren op zo'n manier op de pootjes dat de moeren zich net boven het oppervlak van het tapijt bevinden wanneer de pootjes door het tapijt heen drukken. Schroef de pootjes in de schroefingangen in de onderkant. Staat de kast of de standaard bij plaatsing op de vloer scheef, schroef dan de twee pootjes die de vloer niet raken los totdat de kast stevig op de grond staat.

3. Aansluiten



Schroef ten slotte de moeren tegen de onderkant aan. Het is wellicht praktischer om de pootjes aan te brengen en af te stellen nadat de luidsprekerpositie is geoptimaliseerd.

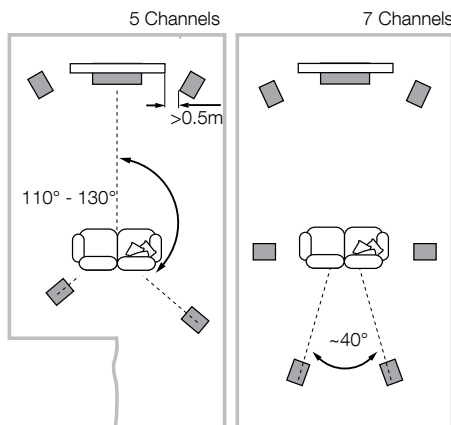
Hebt u geen tapijt en wilt u geen krassen op uw vloer, gebruik dan een metalen beschermingsschijf, een nop voor de pootjes of een muntstuk tussen het pootje en de vloer. U kunt ook de meegeleverde rubberen pootjes gebruiken. Breng de rubberen pootjes aan en zorg ervoor dat de kast of de standaard evenwichtig staat, net zoals bij de spitse pootjes.

Luidsprekeropstelling

Zowel bij stereo- als bij home theater systemen is het verstandig te streven naar een identieke directe akoestische omgeving voor alle luidsprekers. Wanneer bijvoorbeeld één luidspreker dichtbij een kale wand is geplaatst en de andere in de nabijheid van zachte meubilering of gordijnen, dan zullen zowel de algehele geluidskwaliteit als het stereobeeld daar onder lijden.

Conventionele Stereosystemen

Als uitgangspunt worden de luidsprekers 1,5 tot 3 meter uit elkaar geplaatst, zodanig dat zij zich beide even ver van het luistergebied bevinden. Het verdient de voorkeur een luidspreker ca. 0,5 m van de achterwand en minimaal 0,5 m van de zijwanden te plaatsen (zie afbeelding hierboven).



Home Theater Systemen

Wanneer de luidsprekers worden gebruikt voor de front kanalen in een home theater systeem, dienen ze iets dichter bij elkaar te staan dan bij tweekanalen stereo omdat de surround kanalen het klankbeeld verbreden. Opstelling van de luidsprekers op 0,5 m ter weerszijden van het beeldscherm houdt het klankbeeld in de juiste verhouding met de grootte van het beeldscherm.

Net als bij conventionele stereo-opstelling dienen de luidsprekers liefst ca. 0,5 m van de achterwand te blijven en eveneens 0,5 m van de zijwanden. Als u uw luidspreker het liefst tegen de achterwand plaatst en deze locatie ertoe leidt dat de lage tonen te zwaar benadrukt worden, ga dan naar het hoofdstuk over Fijnafstemming in deze handleiding voor nadere informatie over het gebruik van de dopjes van schuim.

Schakel voordat u begint met aansluiten alle audioapparatuur uit.

De luidsprekeraansluitingen van de 805 D3 en de 804 D3 accepteren verschillende soorten kabels en pluggen: 4 mm banaanstekkers, 6 mm en 8 mm (1/4" en 15/16") spades, of blanke draadeinden van max. 4 mm (5/32").

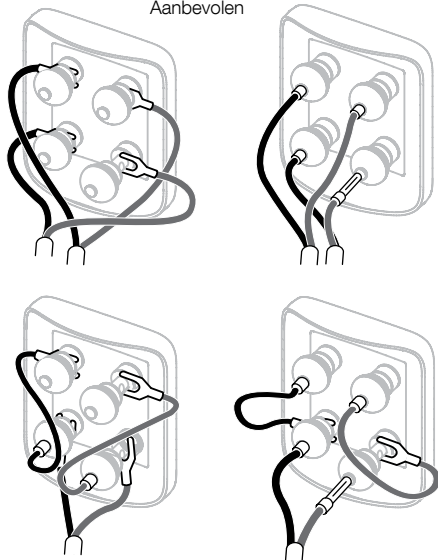


Belangrijk voor uw veiligheid

In bepaalde landen, vooral Europa, wordt het gebruik van 4 mm banaanstekkers beschouwd als potentieel gevaarlijk omdat deze ook in onbeschermde stopcontacten kunnen worden gestoken. Om te voldoen aan de Europese CENELEC veiligheidsregels zijn de openingen op de aansluitingen geblokkeerd met plastic pennen. Wanneer u het product gebruikt in een land waar deze regels gelden, dient u zich ervan te overtuigen dat banaanstekkers niet op onveilige manier kunnen worden gebruikt door kinderen en andere niet geïnformeerde personen.

Vraag uw leverancier om informatie over kabels. Houd de totale impedantie beneden het maximum als aanbevolen in de technische gegevens en gebruik kabel met een lage inductie om verzwakking van hoge frequenties te voorkomen.

Aanbevolen

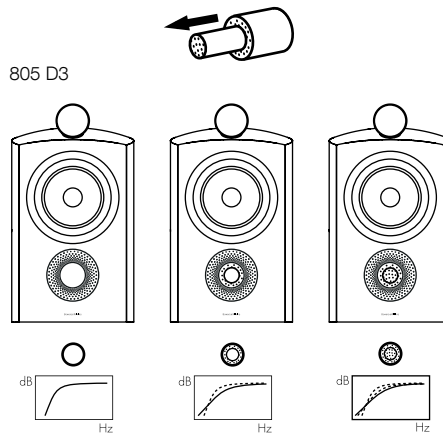


Er bevinden zich op de achterzijde van elke luidspreker twee paar aansluitingen om bi-wiring (bovenste) mogelijk te maken. Voor conventionele verbinding met een enkele kabel brengt u de bijgevoegde doorverbindingen aan tussen de aansluitingen van dezelfde polariteit. Dubbele bedrading kan de resolutie bij een lage detaillering verbeteren.

Zorg ervoor dat de positieve aansluitingen van de luidspreker (rode ring) worden verbonden met de positieve uitgang van de versterker en de negatieve aansluitingen van de luidspreker (zwarte ring) worden verbonden met de negatieve uitgang van de versterker. Foutieve verbinding is niet schadelijk maar vertroebelt het stereobeeld en geeft verlies aan laag. Draai altijd de kapjes van de aansluitingen geheel vast om rammelen te voorkomen.

4. Fijnafstemming

805 D3

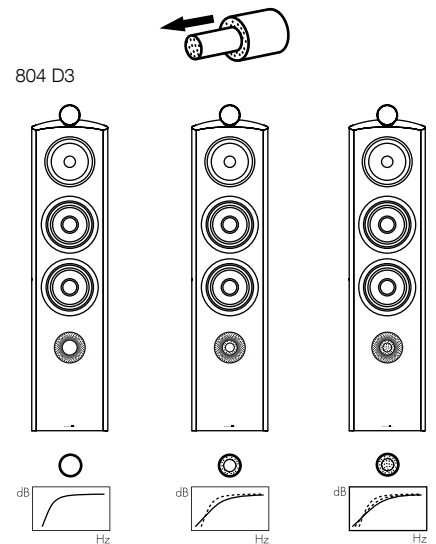


Controleer voordat u aan het fijnafstemmen begint, of alle verbindingen correct en stevig zijn geïnstalleerd.

Door de luidsprekers verder van de wand te plaatsen zal in het algemeen het laag afnemen. De ruimte achter de luidsprekers verhoogt ook de ruimtelijke indruk op het gehoor. Omgekeerd, door de luidsprekers dicht bij de wand op te stellen, neemt het laag juist toe. Wanneer u het laag wilt reduceren zonder de luidsprekers verder van de wand te plaatsen, drukt u de schuimrubber doppen in de poorten als aangegeven in afbeelding hierboven.

Wanneer het laag niet op alle frequenties evenwichtig is, ligt dat meestal aan resonanties ergens in de luisterruimte. Zelfs kleine wijzigingen in de luidsprekeropstelling of de luisterpositie kunnen een behoorlijke invloed hebben op het effect van deze resonanties op de klank. Probeer de luisterpositie te wijzigen en de luidsprekers bijvoorbeeld voor een andere wand te zetten. Ook de aanwezigheid en positie van grote meubels hebben invloed op deze resonanties.

804 D3



Wanneer het centrale geluidsbeeld vaag is, probeer dan de luidsprekers dicht bij elkaar te zetten en ze te richten op een punt juist vóór de luisterpositie.

Is het geluid te helder, dan kan het aanbrengen van zachtere stoffering in de kamer (zwaardere gordijnen bijvoorbeeld) een betere balans bewerkstelligen. Omgekeerd kan het reduceren van zachte stoffering een donkere klank helderder maken.

De meest kritische luisteraars raden we aan de grills van de woofer/middentoner te verwijderen door ze bij de rand vast te pakken en de voorzichtig van de kast te trekken.

5. Inspelen

De eigenschappen van de luidspreker zullen gedurende de eerste luisterperiode op subtiële wijze iets veranderen. Wanneer de luidspreker in een koude omgeving opgeslagen is geweest, zijn de dempende materialen en de ophanging wat stug en het duurt enige tijd voordat zij de juiste mechanische eigenschappen terug hebben. Ook zal de ophanging in de eerste uren van het gebruik nog wat soepeler worden. De tijd die de luidspreker nodig heeft om de beoogde eigenschappen te bereiken, wordt bepaald door de wijze waarop hij voorheen is opgeslagen en de manier waarop hij wordt gebruikt. Houd als richtlijn een week aan om een stabiele temperatuur te bereiken en ca. 15 uur gebruik om de mechanische onderdelen de beoogde eigenschappen te laten verkrijgen.

6. Onderhoud

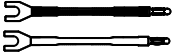


De kast hoeft over het algemeen alleen maar te worden afgestoft. We raden u aan de bijgevoegde stofdoek te gebruiken. Wilt u een schoonmaakspray of een ander middel gebruiken, verwijder dan eerst de grill door deze voorzichtig van de kast te trekken. Spuit op een zachte doek en nooit direct op de kast. Probeer eerst op een onzichtbare plek, daar sommige reinigingsmiddelen het oppervlak kunnen beschadigen. Vermijd schuurmiddelen of middelen die gif bevatten, alkali en antibacterie stoffen. Gebruik nooit schoonmaakmiddelen op de eenheden. Vermijd aanraking van de eenheden, vooral de tweeter, die zeer gemakkelijk beschadigd kan raken.

Voor Bowers & Wilkins speakers die zijn afgewerkt met echt hout worden de beste fineersoorten uitgezocht en voorzien van een tegen ultraviolet licht bestendige laklaag om verkleuring in de loop der tijd te voorkomen. Niettemin zal deze fineer net als alle natuurlijke materialen, op de omgeving reageren en enige verkleuring is normaal. Kleurverschillen kunnen worden voorkomen door alle delen in gelijke mate aan zonlicht bloot te stellen tot de kleur weer egaal is. Dat proces kan enige weken of zelfs maanden in beslag nemen en kan worden versneld met een ultraviolette lamp. Houd gefineerde delen uit de buurt van warmtebronnen zoals radiatoren en warme lucht bronnen om het barsten van houtfineer te voorkomen.

1. Αποσυσκευασία

2. Τοποθέτηση

805 D3

	2
	8
	2

Περιεχόμενα του κουτιού**805 D3**

2 ζεύγη καλωδίων σύνδεσης
8 αυτοκόλλητα πλαστικά πόδια
2 παρεμβύσματα δύο τμημάτων από αφρώδες υλικό





804 D3

2 ζεύγη καλωδίων σύνδεσης
8 ακίδες M6 και παξιμάδια ασφάλισης
8 πόδια από καουτσούκ
2 παρεμβύσματα δύο τμημάτων από αφρώδες υλικό

Τα 805 D3 και 804 D3 είναι πολύ βαριά και συνιστούμε ιδιαίτερα να αποσυσκευαστούν στο δωμάτιο στο οποίο θα χρησιμοποιηθούν, από δύο άτομα που συνεργάζονται μεταξύ τους. Μια λογική προφύλαξη είναι επίσης να αφαιρέσετε τυχόν κοσμήματα για να αποφευχθεί ο κίνδυνος να γρατσουνιστεί το φινιρίσμα της επιφάνειας των ηχείων.

Ο παραπάνω πίνακας απεικονίζει τα εξαρτήματα που περιλαμβάνονται στη συσκευασία των 805 D3 και 804 D3. Στην απίθανη περίπτωση που λείπει κάτι, επικοινωνήστε με το κατάστημα από το οποίο αγοράσατε τα ηχεία.

804 D3

	2
	8
	8
	2

Όλες οι γρίλιες προσαρτώνται μαγνητικά. Η βαρύτερη γρίλια μπάσων/μεσαίας εμβέλειας είναι συσκευασμένη σε ένα ξεχωριστό χώρο, για να αποτραπεί η κίνησή της κατά τη μεταφορά.

Τα διαφράγματα των τούιτερ είναι πολύ εύθραυστα και καταστρέφονται εύκολα. Στη συσκευασία των 800 Series Diamond, περιλαμβάνουμε μια ασάλινη γρίλια που μπορεί να προστατέψει το τούιτερ από πολλά είδη ζημιάς. Ωστόσο, θα πρέπει να εξακολουθείτε να είστε προσεκτικοί όταν χειρίζεστε και καθαρίζετε τα ηχεία σας.

Πληροφορίες σχετικά με το περιβάλλον

Αυτό το προϊόν πληροί τις διεθνείς οδηγίες, στις οποίες συγκαταλέγονται, χωρίς περιορισμούς:

- η οδηγία **Restriction of Hazardous Substances (RoHS)** - Περιορισμός στη χρήση επικίνδυνων ουσιών) στα είδη ηλεκτρικού και ηλεκτρονικού εξοπλισμού
- η οδηγία **Registration, Evaluation, Authorisation and restriction of CHemicals (REACH)** - Καταχώριση, αξιολόγηση, αδειοδότηση και περιορισμοί των χημικών προϊόντων)
- η οδηγία σχετικά με την απόρριψη **Waste Electrical and Electronic Equipment (WEEE)** - Απόβλητα ηλεκτρικού και ηλεκτρονικού εξοπλισμού).

Συμβουλευτείτε την τοπική αρχή διάθεσης αποβλήτων για οδηγίες σχετικά με τους τρόπους σωστής ανακύκλωσης ή απόρριψης του προϊόντος αυτού.

Εγκατάσταση ηχείου**Χρήση ραφιών στον τοίχο (805 D3 μόνο)**

Το ηχείο έχει σχεδιαστεί πρωτίστως ώστε να τοποθετείται σε ένα ειδικό στήριγμα δαπέδου (FS-805 D3), αλλά μπορεί να τοποθετηθεί σε ράφι, μολονότι αυτό προσφέρει λιγότερη ευελιξία για τη βελτιστοποίηση της απόδοσης του ηχείου. Αν πρέπει να τοποθετηθεί σε ράφι, συνιστούμε να χρησιμοποιήσετε τα ένθετα παρεμβύσματα από αφρώδες υλικό (παρέχονται) για τη βελτιστοποίηση της απόδοσης της θύρας (βλ. Ενότητα 5: Μικροσυντονισμός).

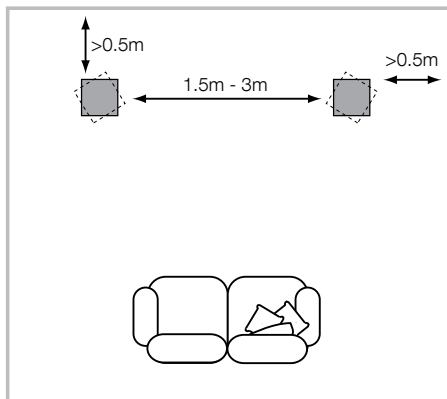
Και στις δύο περιπτώσεις εγκατάστασης, τα τούιτερ των ηχείων θα πρέπει να βρίσκονται κατά προσέγγιση στο ύψος του αυτιού, στη συνηθισμένη θέση ακρόασης.

Σημείωση: Αν χρησιμοποιείτε ράφι, διασφαλίστε ότι είναι αρκετά ανθεκτικό για να υποστηρίξει σωστά το βάρος και τοποθετήστε τα 4 αυτοκόλλητα πλαστικά πόδια στην κάτω πλευρά του ηχείου.

FS-805 D3 ή 804 D3

Τα FS-805 D3 και 804 D3 προορίζονται μόνο για τοποθέτηση στο δάπεδο. Πρέπει να διασφαλίσετε ότι στηρίζονται σταθερά στο δάπεδο χρησιμοποιώντας τις ακίδες που παρέχονται, όποτε είναι δυνατόν.

Οι ακίδες έχουν σχεδιαστεί ώστε να τρυπούν το χαλί και να ακουμπούν στην επιφάνεια του δαπέδου. Αρχικά, βιδώστε τα παξιμάδια ασφάλισης πάνω στις ακίδες όσο χρειάζεται ώστε τα παξιμάδια να βρίσκονται μόλις πάνω από την επιφάνεια του χαλιού όταν οι ακίδες ακουμπούν στο δάπεδο κάτω από το χαλί. Βιδώστε εντελώς τις ακίδες στις υποδοχές με σπείρωμα της βάσης. Αν το περίβλημα ή το στήριγμα κουνιέται όταν τοποθετηθεί στο δάπεδο, ξεβιδώστε τις δύο ακίδες που δεν αγγίζουν το δάπεδο μέχρι



το περίβλημα να ακουμπήσει σταθερά χωρίς να κουνιέται. Τέλος, ασφαλίστε τα παξιμάδια στη βάση. Ενδέχεται να είναι πιο εύκολη η τοποθέτηση και η ρύθμιση των ακίδων αφού βελτιστοποιηθεί η θέση του ηχείου.

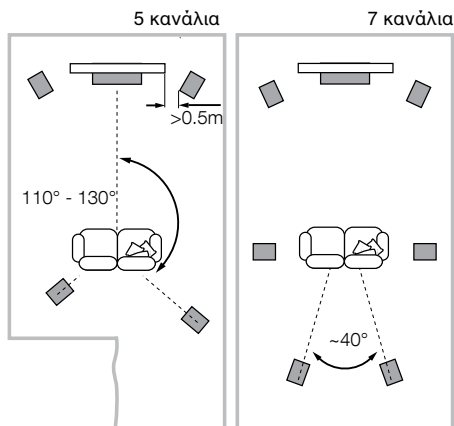
Αν δεν υπάρχει χαλί και θέλετε να αποφύγετε τις γρατσουνιές στην επιφάνεια του δαπέδου, χρησιμοποιήστε έναν προστατευτικό μεταλλικό δίσκο, ένα κάλυμμα ακίδας ή ένα κέρμα ανάμεσα στην ακίδα και το δάπεδο ή χρησιμοποιήστε τα παρεχόμενα πόδια από καουτσούκ. Τοποθετήστε τα πόδια από καουτσούκ και οριζοντιώστε το περίβλημα ή το στηρίγμα με τον ίδιο τρόπο που θα το κάνατε για τις ακίδες.

Τοποθέτηση των ηχείων

Σε εγκαταστάσεις σε στερεοφωνικά συστήματα ή συστήματα οικιακού κινηματογράφου, προσπαθήστε να διασφαλίσετε ότι το άμεσο περιβάλλον του κάθε ηχείου είναι παρόμοιο σε ακουστικό χαρακτήρα. Για παράδειγμα, αν το ένα ηχείο τοποθετηθεί κοντά σε γυμνούς τοίχους και το άλλο τοποθετηθεί κοντά σε μαλακά έπιπλα και κουρτίνες, τότε τόσο η συνολική ποιότητα του ήχου όσο και η στερεοφωνική εικόνα είναι πιθανό να θα περιοριστούν.

Συμβατικά στερεοφωνικά συστήματα

Για να αρχίσουμε, τα ηχεία θα πρέπει να τοποθετούνται σε απόσταση μεταξύ 1,5 m και 3 m μεταξύ τους, στις δύο γωνίες ενός ισόπλευρου τριγώνου, το οποίο ολοκληρώνεται με την περιοχά ακρόασης στην τρίτη γωνία. Τα ηχεία πρέπει να απέχουν περίπου 0,5 m από τον πίσω τοίχο και τουλάχιστον 0,5 m από οποιοσδήποτε πλευρικούς τοίχους (επάνω).



Συστήματα οικιακού κινηματογράφου

Αν τα ηχεία πρόκειται να χρησιμοποιηθούν για τα μπροστά κανάλια σε ένα σύστημα οικιακού κινηματογράφου, θα πρέπει να τοποθετηθούν πλησιέστερα μεταξύ τους από την περίπτωση του ήχου 2 καναλιών, επειδή τα κανάλια surround τείνουν να διευρύνουν την εικόνα. Η τοποθέτηση των ηχείων εντός απόστασης περίπου 0,5 m από τις πλευρές της οθόνης θα διατηρήσει επίσης την εικόνα του ήχου σε κλίμακα παράλληλη με την οπτική εικόνα. Όπως συμβαίνει με τη συμβατική στερεοφωνική τοποθέτηση, τα ηχεία θα πρέπει ιδανικά να απέχουν τουλάχιστον 0,5 m από οποιοσδήποτε πλευρικούς τοίχους. Αν θέλετε να τοποθετήσετε το ηχείο σας έτσι ώστε να ακουμπά στον πίσω τοίχο και αυτή η τοποθέτηση δίνει υπερβολική έμφαση τα μπάσα, ανατρέξτε στην ενότητα "Μικροσυντονισμός" αυτού του εγχειριδίου για πληροφορίες σχετικά με τη χρήση των παρεμβυσμάτων αφρού.

3. Συνδέσεις

Όλες οι συνδέσεις θα πρέπει να γίνονται με τον ηχητικό εξοπλισμό απενεργοποιημένο.

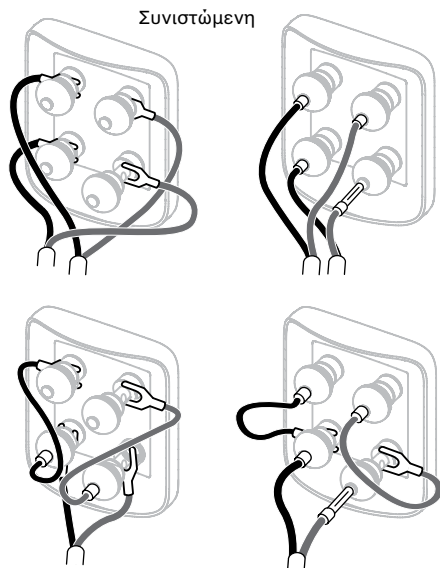
Οι ακροδέκτες των ηχείων 805 D3 και 804 D3 δέχονται μια ποικιλία ακροδεκτών καλωδίων: κυλινδρικά βύσματα 4 mm, διχαλωτούς ακροδέκτες 6 mm και 8 mm (1/4 ίντσας και 5/16 ίντσας) ή γυμνά καλώδια διαμέτρου έως 4 mm (5/32 ίντσας).



Σημαντική ειδοποίηση για την ασφάλεια

Σε ορισμένες χώρες, ειδικότερα σε αυτές της Ευρώπης, η χρήση κυλινδρικών βυσμάτων 4 mm θεωρείται δυνητικός κίνδυνος για την ασφάλεια, επειδή μπορούν να τοποθετηθούν μέσα στις οπές ακάλυπτων πριζών του δικτύου τροφοδοσίας. Προκειμένου να πληρούνται οι ευρωπαϊκοί κανονισμοί ασφαλείας CENELEC, οι οπές 4 mm στις άκρες των ακροδεκτών φράζονται με πλαστικούς πείρους. Αν χρησιμοποιείτε τα προϊόντα σε οποιαδήποτε χώρα στην οποία ισχύουν αυτές οι προϋποθέσεις, θα πρέπει να διασφαλίσετε ότι τυχόν κυλινδρικά βύσματα δεν μπορούν να χρησιμοποιηθούν με επισφαλή τρόπο από παιδιά ή άλλα ανενημέρωτα άτομα.

Ζητήστε συμβουλές από την τοπική αντιπροσωπία όταν επιλέγετε καλώδιο ηχείου. Διατηρήστε τη συνολική του σύνθετη αντίσταση χαμηλότερη από τη μέγιστη συνιστώμενη στις προδιαγραφές του ηχείου και χρησιμοποιήστε ένα καλώδιο χαμηλής αυτεπαγωγής για να αποφύγετε την εξασθένηση των υψηλών συχνοτήτων.

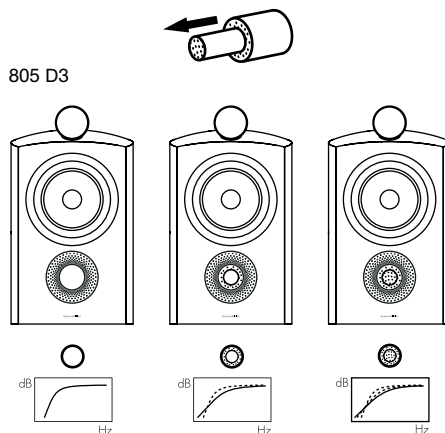


Υπάρχουν δύο ζεύγη ακροδεκτών στο πίσω μέρος κάθε ηχείου που επιτρέπουν τη σύνδεση με δύο καλώδια (επάνω). Για σύνδεση με ένα καλώδιο, τοποθετήστε τα παρεχόμενα καλώδια σύνδεσης για να ενώσετε τους ακροδέκτες ίδιας πολικότητας μεταξύ τους. Η σύνδεση με δύο καλώδια μπορεί να βελτιώσει την ανάλυση των λεπτομερειών χαμηλού επιπέδου.

Διασφαλίστε ότι οι θετικοί ακροδέκτες στο ηχείο (με κόκκινο δακτύλιο) είναι συνδεδεμένοι στο θετικό ακροδέκτη εξόδου στον ενισχυτή και ότι οι αρνητικοί ακροδέκτες στο ηχείο (με μαύρο δακτύλιο) είναι πάντα συνδεδεμένοι στον αρνητικό ακροδέκτη εξόδου στον ενισχυτή. Η εσφαλμένη σύνδεση δεν θα προκαλέσει ζημιά, αλλά θα προκαλέσει κακή στερεοφωνική απεικόνιση και απώλεια μπάσων. Πάντα να βιδώνετε εντελώς τα καπάκια των ακροδεκτών για να αποτρέψετε το κροτάλισμα.

4. Μικροσυντονισμός

805 D3

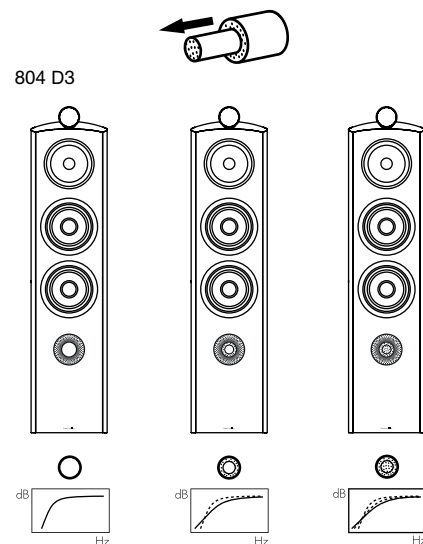


Πριν από το μικροσυντονισμό, βεβαιωθείτε ότι όλες οι συνδέσεις της εγκατάστασης είναι σωστές και ασφαλείς.

Η απομάκρυνση των ηχείων περισσότερο από τους τοίχους γενικώς θα μειώσει την ένταση των μπάσων. Ο χώρος πίσω από τα ηχεία θα βοηθήσει επίσης να δημιουργήσετε μία ακουστική αίσθηση βάθους. Αντίθετα, η μετακίνηση των ηχείων πλησιέστερα στους τοίχους θα αυξήσει την ένταση των μπάσων. Αν θέλετε να μειώσετε την ένταση των μπάσων χωρίς να μετακινήσετε τα ηχεία περισσότερο από τον τοίχο, τοποθετήστε τα παρεμβύσματα αφρού ή, για μικρότερη μείωση των μπάσων, τους δακτυλίους αφρού στους σωλήνες των θυρών (επάνω).

Αν τα μπάσα ακούγονται ανομοιόμορφα με τη συχνότητα, αυτό κατά πάσα πιθανότητα θα οφείλεται στις ακουστικές ιδιότητες του δωματίου ακρόασης. Ακόμα και μικρές αλλαγές στην τοποθέτηση των ηχείων ή στη θέση ακρόασης μπορούν να έχουν σημαντική επίδραση στον τρόπο που επηρεάζεται ο ήχος από τις ιδιοσυχνότητες. Δοκιμάστε να μετακινήσετε τη θέση ακρόασης ή τοποθετήστε τα ηχεία σας κοντά σε διαφορετικό τοίχο, αν είναι δυνατό. Η παρουσία και η θέση μεγάλων επίπλων μπορεί επίσης να επηρεάσει τις ακουστικές ιδιότητες.

804 D3



Εάν υπάρχει απώλεια εστίασης στην κεντρική εικόνα, δοκιμάστε να μετακινήσετε τα ηχεία πιο κοντά μεταξύ τους ή να τους δώσετε κλίση προς τα μέσα ώστε να είναι στραμμένα προς μια θέση ακριβώς μπροστά από τη θέση ακρόασης.

Εάν ο ήχος είναι υπερβολικά έντονος, τοποθετήστε περισσότερα υφάσματα επίπλωσης στο δωμάτιο (π.χ. πιο βαριές κουρτίνες) για να ισορροπήσετε τον ήχο. Αντίθετα, εάν τοποθετήσετε λιγότερα υφάσματα επίπλωσης, ενδέχεται ο ήχος να γίνει πιο έντονος.

Για πιο εκλεπτυσμένη ακρόαση, αφαιρέστε τις γρίλιες μπάσων/μεσαίας εμβέλειας πιάνοντάς τις από τα άκρα τους και τραβώντας τις απαλά μακριά από το περιβάλημα.

5. Πρώτη λειτουργία

Η απόδοση του ηχείου θα αλλάξει ελαφρά κατά τη διάρκεια της αρχικής περιόδου ακρόασης. Αν το ηχείο έχει αποθηκευτεί σε ψυχρό περιβάλλον, οι ουσίες απόσβεσης των κραδασμών και τα υλικά ανάρτησης των μονάδων οδήγησης θα χρειαστούν λίγο χρόνο για να ανακτήσουν τις σωστές μηχανικές τους ιδιότητες. Τα εξαρτήματα ανάρτησης της μονάδας οδήγησης θα χαλαρώσουν επίσης κατά τη διάρκεια των πρώτων ωρών χρήσης. Ο χρόνος που χρειάζεται το ηχείο για να επιτύχει την απόδοση για την οποία προορίζεται θα ποικίλλει, ανάλογα με τις συνθήκες όπου είχε αποθηκευτεί προηγουμένως και τον τρόπο χρήσης του. Ως κανόνα, να αφήνετε να παρέλθει έως μία εβδομάδα για να σταθεροποιηθούν οι επιδόσεις της θερμοκρασίας και 15 ώρες χρήσης κατά μέσο όρο προκειμένου τα μηχανικά μέρη να αποκτήσουν τα χαρακτηριστικά σχεδίασης που πρέπει.

6. Φροντίδα και συντήρηση




Οι επιφάνειες του περιβλήματος συνήθως χρειάζονται μόνο ξεσκόνισμα. Συνιστούμε να χρησιμοποιήσετε το πανί που συνοδεύει το προϊόν. Αν θέλετε να χρησιμοποιήσετε κάποιο σπρέι ή άλλο καθαριστικό, απλώστε το καθαριστικό επάνω στο πανί, όχι απευθείας επάνω στο προϊόν και δοκιμάστε πρώτα σε μια μικρή περιοχή, καθώς ορισμένα καθαριστικά προϊόντα ενδέχεται να προκαλέσουν ζημιά σε ορισμένες από τις επιφάνειες. Αποφεύγετε τα αποξεστικά προϊόντα ή τα προϊόντα που περιέχουν οξειδωτικούς, αλκαλικούς ή αντιβακτηριδιακούς παράγοντες. Μη χρησιμοποιείτε καθαριστικά στις μονάδες οδήγησης. Αποφεύγετε να αγγίζετε τις μονάδες οδήγησης, καθώς ενδέχεται να προκληθεί ζημιά.

Όποτε τα ηχεία Bowers & Wilkins έχουν φινίρισμα από πραγματικό ξύλο, επιλέγονται τα καλύτερα ξυλόφυλλα και υποβάλλονται σε επεξεργασία με ένα βερνίκι που είναι ανθεκτικό στην υπεριώδη ακτινοβολία, για να ελαχιστοποιηθούν οι αλλαγές στο χρώμα με την πάροδο του χρόνου. Εντούτοις, όπως όλα τα φυσικά υλικά, το ξυλόφυλλο αντιδρά στο περιβάλλον του και είναι αναμενόμενος ένας βαθμός αποχρωματισμού. Οι διαφορές χρώματος μπορούν να αποκατασταθούν εκθέτοντας εξίσου και ομαλά στο ηλιακό φως όλες τις επιφάνειες ξυλόφυλλου, μέχρι το χρώμα να είναι ομοιόμορφο. Αυτή η διαδικασία μπορεί να διαρκέσει αρκετές ημέρες ή ακόμα και εβδομάδες, αλλά ενδέχεται να επιταχυνθεί με προσεκτική χρήση ενός λαμπτήρα υπεριώδους φωτός. Οι επιφάνειες με ξυλόφυλλο θα πρέπει επίσης να διατηρούνται μακριά από άμεσες πηγές θερμότητας, όπως καλοριφέρ και εξαεριστήρες θερμού αέρα, προκειμένου να ελαχιστοποιηθεί η πιθανότητα πρόκλησης ρωγμών στο ξυλόφυλλο.

1. Распаковка

2. Размещение

805 D3

	2
	8
	2

Содержание упаковки

805 D3

- 2 Пары соединительных проводов
- 8 Самоклеящиеся пластиковые опоры
- 2 Поролоновые заглушки из двух частей

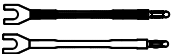



804 D3

- 2 Пары соединительных проводов
- 8 Шипы с резьбой M6 и контргайки
- 8 Резиновые опоры
- 2 Поролоновые заглушки из двух частей

Акустические системы 805 D3 и 804 D3 очень тяжелые, и поэтому мы настоятельно рекомендуем, чтобы вы их распаковывали вдвоем, причем в той комнате, где они будут стоять. Следует также снять с рук все кольца и украшения, чтобы не поцарапать полированную отделку колонок.

В Таблице выше приведен список компонентов и деталей, которые упакованы вместе с 805 D3 и 804 D3. В маловероятном случае, когда чего-либо не хватает, обращайтесь сразу же к продавцу, у которого вы купили колонки.

804 D3

	2
	8
	8
	2

Все защитные решетки крепятся на магнитах. Более тяжелые защитные решетки для НЧ- и СЧ-динамиков упакованы в отдельные ячейки, чтобы избежать их перемещения при транспортировке.

Купольные диафрагмы твитеров очень хрупкие и их легко повредить. В Серии 800 Diamond используются стальные решетки, защищающие твитер от повреждения. Однако, при чистке колонок или уходе за ними нужно проявлять осторожность.

Информация по защите окружающей среды

Этот продукт полностью соответствует международным директивам, включая, но не ограничиваясь:

- i. По ограничениям использования опасных материалов (Restriction of Hazardous Substances – RoHS) в электрическом и электронном оборудовании,
- ii. По регистрации, оценке, авторизации и ограничению использования химических веществ – Registration, Evaluation, Authorisation and restriction of Chemicals (REACH)
- iii. По утилизации отходов – Waste Electrical and Electronic Equipment – (WEEE).

Проконсультируйтесь с вашей местной организацией, которая занимается утилизацией отходов, по вопросам правильной сдачи вашего оборудования в утиль.

Установка акустических систем

Использование настенных полок (только для 805 D3)

Колонки созданы для установки на специальные напольные подставки (FS-805 D3), но их можно поставить и на полку, хотя возможностей оптимизации звучания будет меньше. Если вы решили установить АС на полку, мы рекомендуем использовать поролоновые заглушки (прилагаются) чтобы оптимизировать работу порта (см. Section 5: Тонкая настройка).

В любом случае твитер должен быть примерно на уровне ушей слушателя, сидящего на обычном месте.

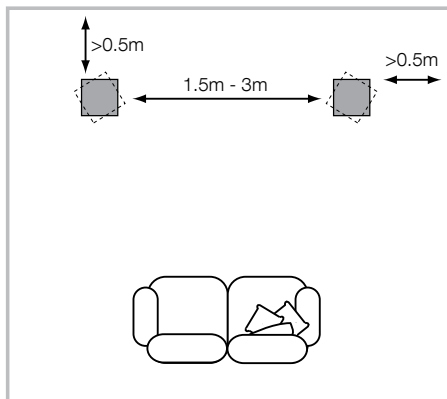
Примечание: при установке на полку убедитесь, что она достаточно прочна, чтобы выдержать вес, и подложите самоклеящиеся пластиковые опоры под низ колонки.

FS-805 D3 или 804 D3

FS-805 D3 и 804 D3 предназначены только для напольной установки. Важно всюду, где это возможно, обеспечить их прочное положение на полу с помощью шипов, входящих в комплект.

Шипы рассчитаны на то, чтобы проткнуть ковер и опираться на поверхность пола. Сначала наворачите контргайки на шипы так, чтобы остался небольшой зазор над ковром при шипах, прочно стоящих на полу. Затем заверните шипы до упора в отверстия с резьбой в опорной плите. Если корпус шатается, отверните назад шипы, которые не касаются пола, чтобы он прочно встал на все опоры. Наконец, затяните

3. Подсоединение



контрайки в сторону корпуса или плиты. Более удобно отрегулировать высоту шипов после того, как вы выберете оптимальное место для колонок.

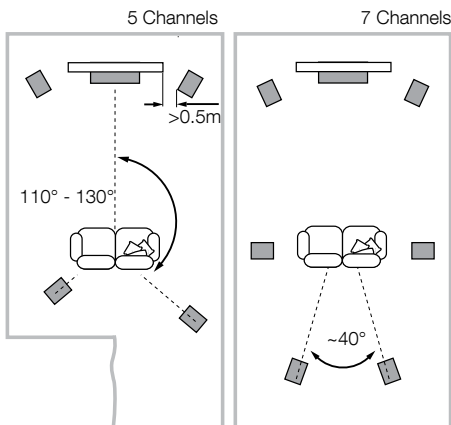
Если у вас нет ковра, и вы хотите избежать царапин на полу, используйте защитные металлические диски, колпачки или монеты, вставляемые между шипами и полом, или же установите резиновые ножки из комплекта. Присоедините резиновые опоры и выровняйте корпус точно так же, как и в случае с шипами.

Выбор места для колонок

В системах домашнего театра или стерео системах старайтесь сделать так, чтобы ближнее окружение каждой из колонок было похожим по акустическим свойствам. Например, если одна АС примыкает к голым стенам, а другая – к мягкой мебели и шторам, то это может отрицательно повлиять на звучание.

Обычные стерео системы

Для начала расположите АС на расстоянии от 1,5 до 3 м друг от друга в двух углах равностороннего треугольника, третий угол которого – это центр зоны прослушивания. Колонки должны быть на расстоянии по крайней мере 0,5 м от задней и боковых стен (см. рис. выше).



Системы Домашнего Театра

Если АС используются как фронтальные каналы в домашнем театре, они должны стоять ближе друг к другу, чем в 2-канальном варианте, т.к. тыловые каналы расширяют образ. Размещение АС на расстоянии приблизительно по 0,5 м от сторон экрана также помогает согласовать масштаб звукового и зрительного образа. Как и в случае обычного стерео, АС должны в идеале располагаться на расстоянии не менее 0,5 м от задней и боковых стен. Если вы предпочитаете придвинуть колонки ближе к задней стене, и это приводит к чересчур подчеркнутым басам, обращайтесь за указаниями по использованию поролоновых заглушек.

Все подключения делаются только при выключенном аудио оборудовании.

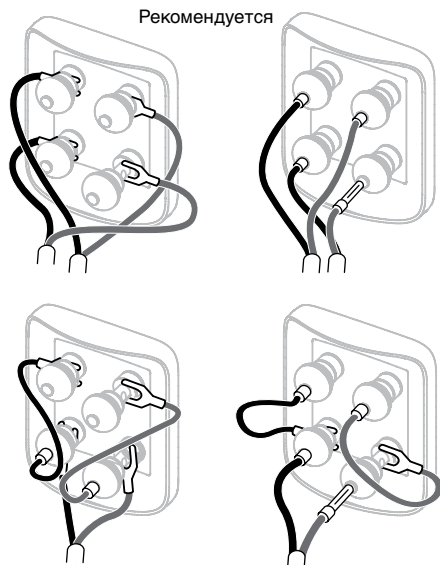
Клеммы 805 D3 и 804 D3 принимают широкое разнообразие кабельных разъемов: 4-мм разъемы «бананы», лопатки шириной 6 мм и 8 мм (1/4 in и 5/16 in), или же зачищенные концы кабелей диаметром до 4 мм (5/32 in).



Важное замечание по безопасности

В некоторых странах, в частности в Европе, использование 4-мм разъемов «бананов» считается потенциально опасным, т.к. их по ошибке можно вставить в электрическую розетку. Для согласования с европейскими нормами безопасности (European CENELEC), 4-мм отверстия на концах клемм заблокированы пластмассовыми пробками. Если вы используете продукт в стране, где эти нормы действуют, вы должны быть уверены, что разъемы «бананы» не смогут быть применены детьми или неосведомленными людьми с опасностью для здоровья.

Попросите вашего дилера порекомендовать кабель. Старайтесь, чтобы его импеданс был ниже максимально допустимого в спецификации, а индуктивность тоже была низкой, чтобы не ослабить высокие частоты.



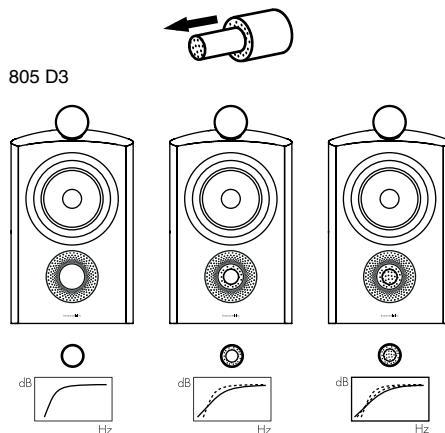
Рекомендуется

На задней панели колонок имеются по две пары клемм, чтобы обеспечить возможность подключения би-ваерингом (двухкабельное, bi-wiring, см. выше). Для обычного, однокабельного подключения, подсоедините проводники к клеммам соответствующей полярности. Би-ваеринг может улучшить разрешение деталей низкого уровня.

Убедитесь, что плюсовая клемма на колонке (с красным кольцом) соединена с плюсовой выходной клеммой на усилителе, а минусовая на колонке (с черным кольцом) соединена с минусовой выходной клеммой на усилителе. Неверное соединение не приведет к повреждению, но ухудшит стерео образ и ослабит басы. Всегда закручивайте головки клемм до упора, чтобы избежать вибраций.

4. Тонкая настройка

805 D3

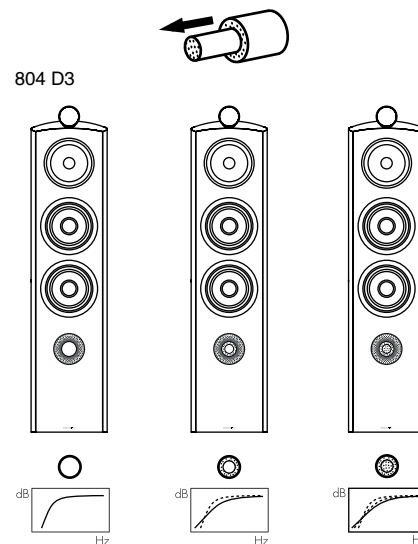


Перед окончательной точной настройкой убедитесь, что все подключено правильно и надежно.

Отодвигая колонки от стен, вы, как правило, уменьшаете уровень басов. Достаточное расстояние позади колонок позволяет также создать ощущение глубины. Соответственно, придвинув колонки к стенам, вы увеличите долю басов. Если вы хотите снизить уровень басов, не отодвигая колонки от стен, вставьте поролоновую заглушку в порт фазоинвертора, или же – для не такого резкого снижения – поролоновое кольцо (см. рис. выше).

Неравномерное распределение басов обычно вызывается стоячими волнами в комнате, и поэтому имеет смысл поэкспериментировать с расстановкой обоих колонок и выбором места слушателя. Попробуйте расположить колонки вдоль другой стены. На звучание может повлиять даже перемещение крупной мебели.

804 D3



Если звуковой образ в центре слабоват, попробуйте пододвинуть колонки ближе друг к другу или же направить в точку перед слушателями.

Если звук слишком резкий, добавьте мягкой мебели в комнате (например, повесьте тяжелые шторы), или наоборот – уберите их, если звук глухой и безжизненный.

Для наиболее взыскательных слушателей снимите защитные решетки с басовой и среднечастотной секций, взяв их за края и осторожно потянув к себе.

5. Прогрев и приработка

Звучание АС слегка меняется в течение начального периода прослушивания. Если колонка хранилась в холодном помещении, то для демпфирующих материалов и подвеса динамиков потребуется некоторое время на восстановление механических свойств. Подвес диффузора также слегка снижает свою жесткость в течение первых часов работы. Время, которое потребуется АС для полного выхода на расчетные характеристики зависит от условия хранения и интенсивности использования. Как правило, потребуется неделя на устранения температурных эффектов и около 15 часов на достижение механическими частями желаемых характеристик.

6. Уход




Обычно корпуса колонок не требуют ничего, кроме протирки от пыли. Мы рекомендуем использовать ткань, прилагаемую в комплекте. Если же вы захотите использовать антистатик-аэрозоль для чистки, то распыляйте аэрозоль на протирающую ткань, а не на корпус. Испробуйте его сначала на небольшом участке поверхности, т.к. некоторые моющие вещества могут повреждать отделку. Избегайте применения жидкостей с абразивными частицами, содержащих кислоту или щелочь, а также антибактериальные вещества. Не используйте чистящие жидкости для динамиков. Избегайте касания диффузоров динамиков, т.к. это может привести к их повреждению.

Когда для отделки корпусов АС Bowers & Wilkins используется натуральное дерево, лучшие сорта шпона покрываются лаком, стойким к ультрафиолетовому излучению для минимизации изменений цвета со временем. Тем не менее, как и любой природный материал, фанера подвержена воздействию окружающей среды, и какое-то выцветание все равно возможно со временем. Разница в окраске может быть заглажена выставлением всех фанерованных поверхностей на солнце до тех пор, пока она не станет незаметной. Этот процесс может занять несколько дней или недель, но его можно ускорить умелым и аккуратным использованием ультрафиолетовой лампы. Держите фанерованные поверхности подальше от источников тепла, таких как радиаторы, тепловентиляторы или батареи центрального отопления, чтобы избежать растрескивания.

1. Vybalení

2. Umístění

805 D3

	2
	8
	2

Obsah balení

805 D3

2 páry terminálových propojek
8 samolepících pružných podložek
2 dvoudílné pěnové záslepky

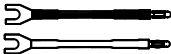



804 D3

2 páry terminálových propojek
8 hrotů s M6 závitem a pojistnými maticemi
8 pryžových nožiček
2 dvoudílné pěnové záslepky

Reprosoustavy 805 D3 a 804 D3 mají velkou hmotnost a proto důrazně doporučujeme provádět vybalení až v místnosti, kde budou instalovány, přičemž k manipulaci je zapotřebí nejméně dvou osob. Při vybalování a manipulaci si z rukou sundejte šperky (prsteny, náramky apod.), aby nedošlo k poškrábání povrchu reprosoustav.

Tabulka nahoře znázorňuje příslušenství, které je obsahem balení reprosoustav 805 D3 a 804 D3. Pokud cokoli chybí, obraťte se prosím na vašeho prodejce, od kterého jste reprosoustavy zakoupili.

804 D3

	2
	8
	8
	2

Všechny krycí mřížky reproduktorů jsou uchyceny magneticky. Mřížka kryjící středobasovou sekci je balena zvlášť, aby během přepravy nedošlo k jejímu posunutí a poškození ozvučnice.

Membrána vysokotónového reproduktoru je velmi křehká a lze ji snadno poškodit. Reprosoustavy řady 800 Diamond jsme vybavili kovovou mřížkou, chránící membránu vysokotónového reproduktoru před poškozením. Nicméně, i přes tuto ochranu buďte opatrní, kdykoli s reprosoustavami manipulujete, nebo je čistíte.

Informace k životnímu prostředí

Tento produkt je konstruován s ohledem na nejen tyto mezinárodní předpisy:

- i. RoHS (**R**estriction of **H**azardous **S**ubstances) jenž se týká omezení nebezpečných látek v elektrických a elektronických zařízeních
- ii REACH (**R**egistration, **E**valuation, **A**uthorisation and restriction of **C**hemicals), jenž se týká registrace, evaluace, autorizace a restrikce chemických látek
- iii WEEE (**W**aste **E**lectrical and **E**lectronic **E**quipment), jenž se týká likvidací elektrického a elektronického zařízení.

Více informací o tom, jak správně recyklovat nebo likvidovat tento výrobek, získáte od příslušného orgánu, který se zabývá likvidací odpadu.

Instalace reprosoustav

Použití nástěnných polic (pouze 805 D3)

Reprosoustavy jsou primárně navrženy pro montáž na specializované podlahové stojany (FS-805 D3), nicméně mohou být umístěny také na polici či regálu i když to omezuje možnosti doladění pro optimální reprodukci. Je-li třeba umístit reprosoustavy na polici, doporučujeme vyzkoušet použití dodávaných pěnových záslepek do basreflexu a optimalizovat tak reprodukci basů (viz kapitola 5: Finální doladění).

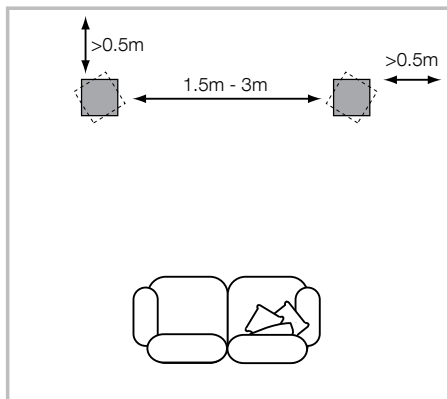
Pro oba způsoby instalace platí, že vysokotónové reproduktory reprosoustav by se měly nacházet zhruba ve výšce uší posluchače.

Poznámka: Používáte-li polici či regál, ubezpečte se, že jejich nosnost odpovídá hmotnosti reprosoustav. Na reprosoustavy také zesponu nalepte 4 samolepící podložky.

FS-805 D3 či 804 D3

Stojany FS-805 D3 a reprosoustavy 804 D3 lze umístit pouze přímo na podlahu. Je přitom velmi důležité, aby na zemi stály pevně. Je-li to tedy možné, použijte vždy dodávané hroty.

Hroty jsou navrženy tak, aby pronikly případným kobercem až k pevnému povrchu podlahy. Nejprve na hroty směrem ke špičce našroubujte pojistné matice – nechte je, jako by měly být volně těsně nad kobercem. Pak hroty zcela zašroubujte do otvorů ve spodní části ozvučnice. Pokud se reprosoustava kolébá, povyšroubujte vždy ten z hrotů který nedosedá na povrch podlahy, dokud reprosoustava nebude stát pevně. Nakonec dotáhněte pojistné matice směrem k ozvučnici. Tuto operaci je nelépe provádět tehdy, stojí-li již reprosoustava na místě, kde má být instalována.



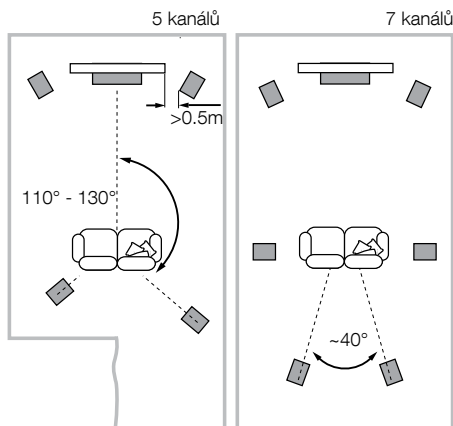
Není-li použit koberec a máte obavu z poškození povrchu podlahy, použijte mezi podlahu a hroty nějaké kovové podložky, nebo místo hrotů použijte dodávané pryžové nožičky. Každou nožičku pak zašroubujte do stejného otvoru v základně reprosoustavy, kam byste jinak montovali hrot.

Pozice reprosoustav

Ať již se jedná o stereo či domácí kino, snažte se vždy, aby všechny reprosoustavy měly stejné akustické podmínky. Je-li například jedna reprosoustava umístěna blíže k holé zdi, zatímco druhá je blíže čalouněnému nábytku či závěsu, dojde pravděpodobně ke špatnému stereofonnímu zobrazení.

Klasické Stereo

Pro začátek zkuste reprosoustavy umístit 1,5m až 3m od sebe tak, aby tvořily s místem poslechu rovnostranný trojúhelník. Reprosoustavy by se přitom měly nacházet zhruba 0,5m od stěny která je za nimi a minimálně 0,5m od bočních zdí (viz. obrázek nahoře).



Domácí kino

Mají-li být reprosoustavy použity pro přední kanály domácího kina, lze je instalovat v sevřenějším úhlu než u dvoukanalového audia, protože prostorovost reprodukce rozšíří surroundové kanály. Umístěte reprosoustavy zhruba do vzdálenosti 0,5m od stran zobrazovače, aby šíře zvuku dobře korespondovala s rozměrem obrazu. Stejně jako při stereofonní aplikaci, je i v tomto případě ideální, pokud se reprosoustavy nacházejí zhruba 0,5m od stěny za nimi a zhruba 0,5m od bočních zdí. Pokud potřebujete reprosoustavy instalovat blíže stěně, která je za nimi, což může způsobit zdůraznění basů, přečtěte si kapitolu Finální doladění, kde je popisováno použití pěnových zátek do basreflexu.

Veškerá zapojení provádějte pouze tehdy, jsou-li všechna zařízení v systému vypnuta.

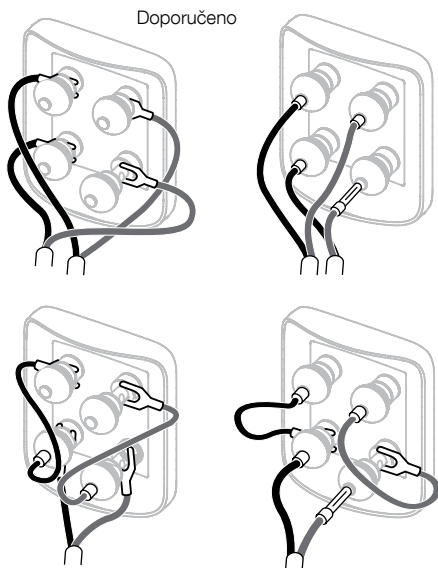
Terminály reprosoustav 805 D3 a 804 D3 umožňují různé způsoby připojení kabelu – pomocí 4mm banánků, 6mm či 8mm vidliček, nebo přímé připojení odizolovaného vodiče až 4mm průřezu.



Důležité bezpečnostní upozornění

V některých, zvláště Evropských zemích, je použití 4mm banánků považováno za potenciálně nebezpečné, protože je možné je zaměnit se zásuvkou napájení. Pro splnění bezpečnostních předpisů European CENELEC, jsou 4mm zdiřky v terminálech blokovány plastovými zásepky. Používáte-li zařízení v zemích, kde tyto normy platí, nepoužívejte 4mm banánky a nechte zdiřky zaslepené, abyste neohrozili bezpečnost neinformovaných osob a dětí.

V otázce výběru vhodného kabelu kontaktujte svého prodejce. Dbejte, aby celková impedance nepřesahovala doporučené maximum a použijte kabel s nízkou indukancí, aby se nezhoršila reprodukce vyšších frekvencí.

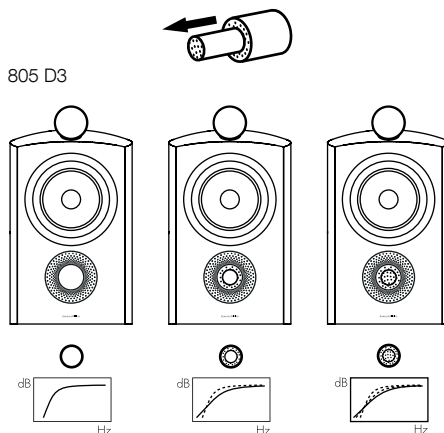


Na zadní straně každé reproduktory jsou pak dva páry terminálů, dovolující zapojení Bi-Wire (vlevo). Při klasickém způsobu zapojení, spojte dodávanými propojkami terminály se stejnou polaritou (vpravo). Zapojení Bi-Wire obvykle zlepší rozlišení jemných detailů.

Dbejte, aby kladný kontakt reproduktory (označený červeně) byl připojen ke kladnému kontaktu zesilovače a záporný kontakt (označený černě) k zápornému. Nesprávné zapojení může mít za následek špatný stereofonní obraz a úbytek basů. Matice terminálů vždy pevně dotáhněte, aby nedocházelo k rezonancím.

4. Finální doladění

805 D3

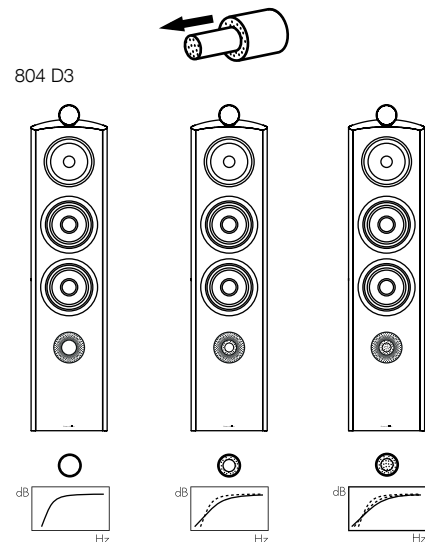


Před konečným doladováním znovu zkontrolujte, zda je veškeré zapojení provedeno správně a pevně.

Posunutím reproduktory od zdi můžete redukovat celkovou úroveň basů. Prostor za reproduktory také pomáhá správnému podání hloubky zvukového obrazu. Obráceně, posunete-li reproduktory blíže ke zdi, zvýšíte úroveň basů. Pro redukcii úrovně basů bez posunování reproduktory od zdi, můžete do basreflexových otvorů vložit celé pěnové zásepky, nebo (pro menší omezení basů) pouze vnější kroužky (viz obrázek nahoře).

Nepříjemné zdůraznění basů může být také způsobeno rezonančními módy místnosti. V takovém případě zkuste měnit pozici obou reproduktory, můžete vyzkoušet i jejich umístění podél jiné stěny či změnit místo poslechu. Vliv může mít také přemístění větších kusů nábytku.

804 D3



Je-li reprodukce moc slabá ve středu prostoru mezi reproduktory, zkuste zmenšit vzdálenost, která mezi nimi je, natočit je směrem k sobě či oddálit místo poslechu.

Je-li zvuk příliš ostrý, zatlumte místnost například nějakým čalouněným nábytkem (pomohou také těžké závěsy), nebo naopak takový nábytek omezte v případě, že je zvuk mdlý a utlumený.

Pro hodně soustředěný poslech demontujte z reproduktory mřížky kryjící středotónové a basové reproduktory. Mřížku vždy uchopte opatrně za okraje a jemným tahem směrem od ozvučnice ji sejměte.

5. Rozehrávání reprosoustav

Zvuk reprosoustav se během určité doby používání mírně mění. Zvláště pokud byly reprosoustavy skladovány v chladném prostředí, nabývají tlumící závěsy a některé materiály v reproduktorech své správné mechanické vlastnosti teprve během provozu. Během prvních hodin provozu se jednotlivé části reproduktoru navzájem ideálně přizpůsobují. Délka tohoto procesu, během kterého reprosoustava postupně zvukově „vyzrává“ je velmi závislá na způsobu předchozího skladování a způsobu používání. Bývá pravidlem, že po zhruba týdnu teplotní stabilizace a asi 15 hodinách běžného provozu dosáhnou použité mechanické díly svých optimálních charakteristik.

6. Údržba

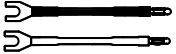


Povrch kabinetu vyžaduje obvykle pouze občasné setření prachu. Doporučujeme používat utěrku dodávanou v příslušenství. Chcete-li použít nějaký čisticí prostředek ve spreji, nastříkejte jej napřed na utěrku, ne přímo na ozvučnici a vyzkoušejte nejprve na malé ploše, zda nepoškozuje povrch. Vyvarujte se čisticidel obsahujících abraziva, kyseliny, chemikálie či antibakteriální složky. Čisticí prostředky nikdy nepoužívejte na membrány reproduktorů. Tyto membrány mohou být snadno poškozeny, proto se jich nedotýkejte.

Tyto reprosoustavy Bowers & Wilkins jsou opatřeny kvalitní pravou dřevěnou dýhou, potaženou UV rezistentním lakem, což minimalizuje změny jejího zabarvení vlivem světla. Nicméně jako každý přírodní materiál, podléhá i tato dýha vlivu okolního prostředí. Případné rozdíly v zabarvení jednotlivých ploch mohou být srovnány vystavením celého povrchu rovnoměrnému působení slunečního světla tak dlouho, dokud rozdíl nezmizí. Tento proces může trvat několik dnů či týdnů, lze jej však urychlit opatrným použitím UV lampy. Výrobky opatřené dřevěnou dýhou by se také neměly nacházet v bezprostřední blízkosti zdrojů tepla, jako jsou např. radiátory či horkovzdušné ventilátory, zabráníte tak možnému popraskání dýhy.

1. Kicsomagolás

2. Elhelyezés

805 D3

	2
	8
	2

Ellenőrizze a dobozt

805 D3

- 2 Pár átkötő vezeték
- 8 Öntapadós műanyag tappancs
- 2 Kétrészes szivacs dugó




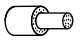
804 D3

- 2 Pár átkötő vezeték
- 8 M6 -os tüske és anya
- 8 Gumitalp
- 2 Kétrészes szivacs dugó

A 805 D3 és a 804 D3 nagyon nehéz hangsugárzók, így javasoljuk, hogy a kicsomagoláskor két ember dolgozzon együtt. Ugyancsak különös figyelmet fordítson a kezén lévő ékszerek eltávolítására, nehogy azok felsértsék a hangsugárzó felületét.

A fenti ábrák mutatják be a 805 D3 és 804 D3 tartozékait. Amennyiben valami hiányozna, kérjük, vegye fel a kapcsolatot azzal a B&W kereskedővel, akinél a hangsugárzókat vásárolta.

804 D3

	2
	8
	8
	2

Minden előlap mágnesesen csatlakozik a hangsugárzó házához. Az előlap külön van csomagolva, megelőzve, hogy a szállításkor elmozduljon.

A magassugárzó membránja nagyon precíz, finom alkatrész, mely könnyen megsérülhet. A 800 Diamond sorozat, tartalmaz egy acél védőrácsot, mely megvédi a magassugárzót bármilyen sérüléstől. Ugyanakkor nagy odafigyeléssel mozgassa vagy tisztítsa a hangsugárzót.

Környezetvédelmi tájékoztató

A termék megfelel a nemzetközi előírásoknak, ideértve, de nem kizárólagosan a veszélyes anyagok elektromos és elektronikus berendezésekben történő használatának korlátozását előíró

- i. RoHS irányelvet (**R**estriction of **H**azardous **S**ubstances), a vegyi anyagok regisztrálásáról, értékeléséről, engedélyezéséről és korlátozásáról szóló
- ii. REACH irányelvet (**R**egistration, **E**valuation, **A**uthorisation and restriction of **C**hemicals, valamint az elektromos és
- iii. elektronikus berendezések hulladékairól szóló WEEE előírást (**W**aste **E**lectrical and **E**lectronic **E**quipment).

A termék megfelelő leselejtezéséről vagy újrahasznosításáról további információkat a helyi hulladékezelőtől vagy hatóságától kérhet.

Hangsugárzó beüzemelés**Használat falipolcon (csak a 805 D3 esetében)**

A hangsugárzót elsősorban állványos (FS-805 D3) használatra tervezték, azonban helyezhető polcra is. Ez a mód azonban kevésbé optimális a hangsugárzó ideális előadásmódjának tekintetében. Ha polcra helyezi a hangsugárzót, javasoljuk a mellékelt szivacs dugó használatát (lásd az 5. Finomhangolás fejezet)

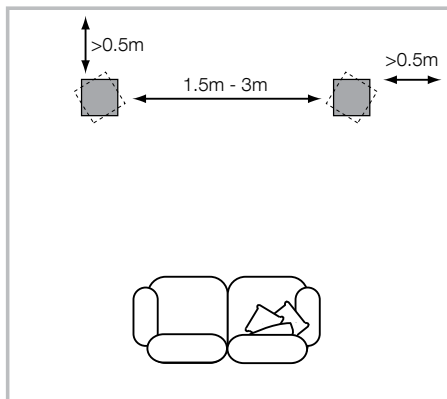
Mindkét esetben a magassugárzónak megközelítőleg fülmagasságban kell elhelyezkednie.

Megjegyzés: Ha polcot használ, győződjön meg arról, hogy az kellőképpen erős a hangsugárzó súlyának megtartásához, továbbá a mellékelt négy öntapadós gumitalpat ragassza fel a hangsugárzó aljára.

FS-805 D3 vagy 804 D3

Az FS-805 D3 állványt és a 804 D3 hangsugárzót lehetőleg csak padlón használja. Győződjön meg arról, hogy a hangsugárzók stabilan állnak a padlón. Ha lehetséges, használja a mellékelt tuskéket.

A tuskék úgy lettek tervezve, hogy átszűrjék a szőnyeget és úgy kapcsolódnak a padlóhoz. Elsőként csavarja fel az anyákat a tuskékre. Ezután csavarja be a tuskéket a hangsugárzó/ állvány aljába. Ha a kabinet vagy az állvány billeg, akkor csavarja ki azt a két tuskét amely nem érintkezik a padlóval. Utolsó fázisként húzza meg az anyákat. Célravezetőbb, ha a tuskéket akkor helyezi fel, ha már megvan a hangsugárzó végső pozíciója.



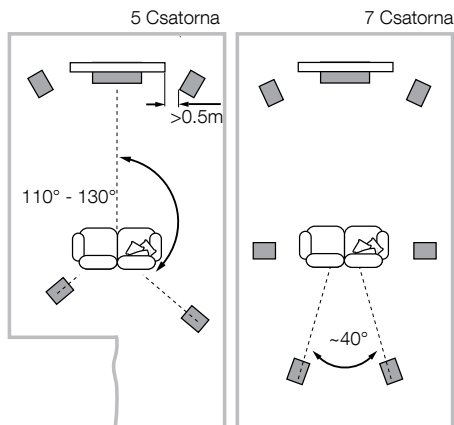
Ha nincs szőnyeg ami megóvná a padlót a tűskéktől, használjon egy fém lemezt, melyet a tűskék alá helyezhet, ez lehet tűske ellendarab vagy pénzérme is, de használhatja a mellékelt gumitalpakat is. Csavarja be a gumitalpakat a hangszugárzó/ állvány aljába, majd egyensúlyozza ki ugyanolyan módon, mint a tűskés megoldásnál.

A hangszugárzó pozicionálása

Mind házimozsi, mind sztereó alkalmazás esetén törekedjen arra, hogy az egyes hangszugárzók körül az akusztikai környezet lehetőleg egyforma legyen. Például, ha az egyik hangszugárzó közvetlenül üres, csupasz fal mellett áll, míg a másik bútorok vagy függönyök mellett, a hangminőség illetve a sztereó kép zavaros lehet.

Hagyományos sztereó rendszerek

Alapesetben a hangszugárzókat egymástól 1,5-3 méter távolságra helyezze el, melyek a hallgatási pozícióval egy egyenlő szárú háromszöget zárjanak be. A hangszugárzókat a hátsó és az oldalfalaktól legalább 0,5 méter távolságra kell elhelyezni (fenti kép).



Multicsatornás rendszerek

Ha a hangdobozokat egy házimozsi rendszer első sugárzóiként használjuk, rakjuk egymáshoz közelebb őket, mint a hagyományos kétcsatornás alkalmazásnál. Ez azért szükséges, mert a hátsó csatornák kellőképpen kiszélesítik a hangképet. A hangdobozokat a képernyő oldalaihoz képest 0.5 méteres távolságra helyezzük el, ezáltal is elősegítve a hangkép jobb fókuszáltságát a képernyőn történő eseményekre. Ahogy egy hagyományos sztereó elhelyezésnél, itt is ügyeljünk arra, hogy a hangdobozok távolsága az oldalfalaktól legalább 0,5 méter legyen. Ha a hangszugárzók a helyükre kerültek, előfordulhat, hogy a közeli hát és oldalfalak felerősítik a mélyhangokat. Olvassa el a finomhangolás fejezetet, hogy megismerje a szivacs dugók használatát.

Minden csatlakoztatást az audió berendezések kikapcsolt állapotában végezzen.

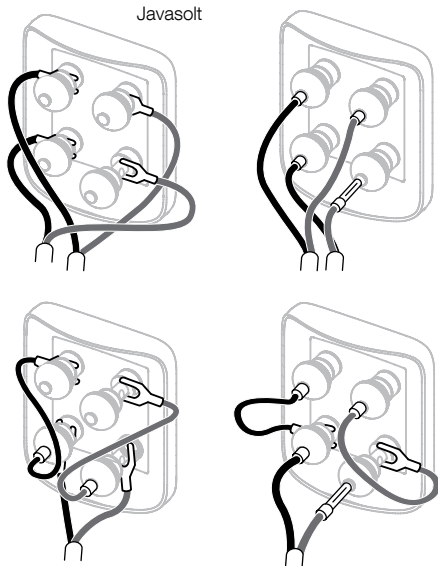
A 805 D3 és 804 D3 hangszugárzók sokfajta csatlakoztatási módra alkalmasak: 4mm-es banándugók, 6mm-es és 8mm-es (1/4 in és 5/16 in) saruk, csupasz kábel 4mm-es átmérőig.



Fontos biztonsági megjegyzés

Egyes országokban, leginkább Európában a 4mm-es banándugó használata potenciális veszélyforrásnak tekinthető, mert az bedugható a hálózati aljzatokba is. Az európai CENELEC biztonsági előírásoknak megfelelően a 4mm-es lyukak műanyagból készült dugókkal vannak lezárva. Amennyiben olyan helyen használja ezt a terméket, ahol ezek az előírások elfogadottak, győződjön meg arról, hogy a banándugókat nem használja kisgyermek vagy tájékozatlan személy.

Hangszugárzókábel választásakor kérdezze ki a kereskedője tanácsát. A hangszugárzókábel impedanciája legyen alacsonyabb, mint az általunk javasolt maximális érték, melyet a technikai specifikációkban talál meg. Csak alacsony induktivitású kábel használjon, hogy ne jöjhessen létre magasfrekvenciás gerjedés.

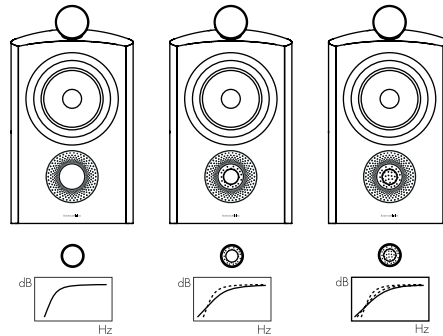


Két pár csatlakozóaljzat található a hangszugárzó hátulján, ezáltal kettős kábelezésre alkalmas. Hagyományos bekötéskor, használja a mellékelt áthidaló kábeleket és kösse össze az azonos polaritásokat. A kettős kábelezés javítja az alacsonyfrekvenciás résztelek felbontását.

Győződjön meg arról, hogy a hangszugárzó pozitív csatlakozói (piros színnel jelölve) az erősítő pozitív kimenetére vannak kötve és a negatív csatlakozók (fekete színnel jelölve), az erősítő negatív kimenetével vannak összekötve. A helytelen csatlakoztatás (fordított polaritás) nem okoz kárt a hangszórókban, ellenben a sztereó kép és a mélyhang is szegényes lesz. Csatlakoztatás után mindig húzza meg a csatlakozók sapkáit, megelőzve a zörgő hangokat.

4. Finomhangolás

805 D3

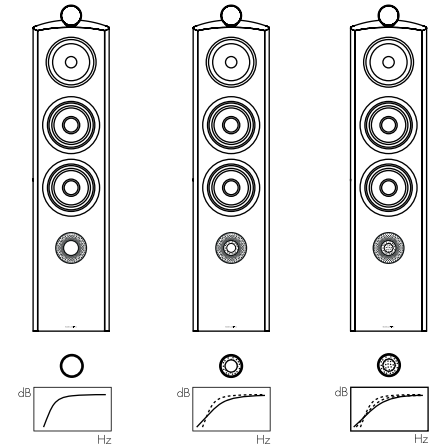


A finomhangolás megkezdése előtt győződjön meg arról, hogy minden csatlakozás megfelelő és biztonságos.

Ha a falaktól távolabb mozgatja a hangszugárzókat, akkor csökken a mélyhangok szintje. A hangszugárzók mögötti tér mélységérzetet is segíti létrehozni. Ezzel ellentétben, ha a falakhoz közel helyezi a hangszugárzókat, akkor növekszik a mélyhangok szintje. Ha csökkenteni szeretné a mélyhangok szintjét a hangszugárzók faltól történő távolítása nélkül, akkor helyezze a szivacs dugókat a reflexcsövekbe a bal oldali lenti ábrának megfelelően. Ha a mélyhang nem egyenletes a frekvenciában, akkor azt gyakran a helyiség rezonanciája okozza.

Akár a hangszugárzók vagy a hallgató kis elmozdulása is óriási hatással lehet arra, hogy a rezonanciák hogyan befolyásolják a hangot. Próbálja a hangszugárzókat egy másik fal mellé helyezni. Még a nagyméretű bútorok mozgatása is befolyásolhatja a hatást.

804 D3



Ha a centerkép nem fókuszált, akkor próbálja egymáshoz közelíteni a hangszugárzókat, vagy fordítsa őket befelé, hogy egy pontra nézzenek a hallgatási pozíció elé.

Ha a hang túl durva, növelje a puha bútorzat mennyiségét a helyiségben (például használjon nehéz függönyöket), vagy csökkentse, ha a hang túl unalmas, és élettelen.

A legényesebb zenehallgatáskor távolítsa el a mélyszugárzó és a középszugárzó (óvatosan fogja meg a rács szélét majd óvatosan húzza el a háztól) előlapját.

5. Bejáratás

A hangsugárzók hangminősége a kezdeti használat során jelentősen változik. Amennyiben a hangsugárzót hideg helyen tárolták, a mechanikai alkatrészeknek, illetve a hangszóroban lévő csillapító folyadéknak időre van szüksége, hogy a megfelelő mechanikai jellemzőit visszanyerje. Ez az időszükséglet függ az üzembe helyezést megelőző tárolási feltételektől, és a használat módjától. Általában a hőmérsékleti jellemzők maximum egy hét alatt stabilizálódnak, a mechanikai jellemzők kb. 15 óra átlagos használat után érik el optimális értékeiket.




6. Ápolás

A termék felülete időnként portalanítást igényel. Javasoljuk, hogy használja a mellékelt tisztítókendőt. Ha szeretne aerosolos vagy más tisztítószert használni, a rongyra fújja rá először, majd tesztelje azt egy kis felületen, mert előfordulhat, hogy néhány tisztítószer károsítja a hangdoboz felületét. Óvja a terméket csiszoló hatású, savas, lúgos vagy antibakteriális anyagokat tartalmazó szerektől. Ne használjon tisztítószereket a hangszórók takarításához, mert az kárt okozhat a hangszórookban.

Amikor a Bowers & Wilkins hangfalait valódi fafurnér bevonattal látjuk el, a lehető legjobb minőségű anyagokat használjuk, és UV fénynek ellenálló lakkbevonattal látjuk el, minimalizálva a furnér elszíneződését. Ennek ellenére, mint minden természetes anyag a környezettől függően megváltozik és a furnér színe idővel enyhén megváltozik. A színkülönbségek kiegyenlíthetők úgy hogy a hangsugárzót lehetőleg mindenhol hasonló napsugárzásnak tesszük ki. Ezen folyamat néhány napig vagy akár hetekig is eltarthat. A folyamat gyorsítható UV lámpa óvatos használatával. A fa felületek tartsuk távol a direkt hőszugárzástól, például radiátor és meleg levegőt kibocsátó szellőztéstől, minimalizálva a furnér berepedezésének az esélyét.

1. Rozpakowanie

805 D3

	2
	8
	2

Zawartość opakowania

805 D3

2 pary przewodów łączących
8 samoprzylepnych podkładek
2 dwuczęściowe zatyczki piankowe

804 D3

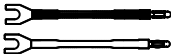



2 pary przewodów łączących
8 kołców M6 z nakrętkami
8 gumowych nóżek
2 dwuczęściowe zatyczki piankowe

Kolumny głośnikowe 805 D3 i 804 D3 są bardzo ciężkie i zdecydowanie radzimy, aby rozpakować kolumny w tym samym pomieszczeniu, w którym mają być użytkowane i robić to w dwie osoby. Dobrym pomysłem jest również usunięcie z rąk i dłoni jakiegokolwiek biżuterii, która mogłaby porysować powierzchnię kolumn podczas rozpakowywania.

Tabela powyżej pokazuje jakie akcesoria zostały spakowane razem z kolumnami. W przypadku braku jakiegokolwiek z akcesoriów prosimy o kontakt ze sprzedawcą.

2. Pozycjonowanie

804 D3

	2
	8
	8
	2

Maskownice są przymocowane do kolumn na magnes. Cięższa maskownica (na głośniki średnio i niskotonowe) jest spakowana w osobnej przegródce, aby zapobiec przesuwaniu się w trakcie transportu.

Membrany głośników wysokotonowych są bardzo delikatne i łatwo je uszkodzić. Do kolumn serii 800 dołączamy stalową maskownicę, która chroni głośnik od różnego rodzaju uszkodzeń. Mimo to powinno się zawsze zachować ostrożność podczas przenoszenia i czyszczenia głośników.

Ochrona środowiska

Wszystkie produkty firmy Bowers & Wilkins są zaprojektowane zgodnie z:

- i. międzynarodową dyrektywą dotyczącą substancji niebezpiecznych (RoHS) w urządzeniach elektrycznych i elektronicznych
- ii. międzynarodową dyrektywą dotyczącą substancji chemicznych REACH
- iii. dyrektywą dotyczącą likwidacji sprzętu elektrycznego i elektronicznego (WEEE).

Skontaktuj się z regionalną władzą do spraw likwidacji odpadów w celu uzyskania szczegółów.

Instalacja głośnika**używając półek ściennych (wyłącznie dla 805 D3)**

Głośnik jest zaprojektowany głównie do instalacji na przeznaczonej do tego podstawie podłogowej (FS-805 D3) ale może być umiejscowiony na półce chociaż takie ustawienie oferuje mniej możliwości zoptymalizowania działania głośnika. Jeżeli głośnik musi być ustawiony na półce zalecamy użycie dołączonych zatyczek piankowych aby zoptymalizować działanie portów bass reflexu (zobacz Sekcja 5: Dostrajanie).

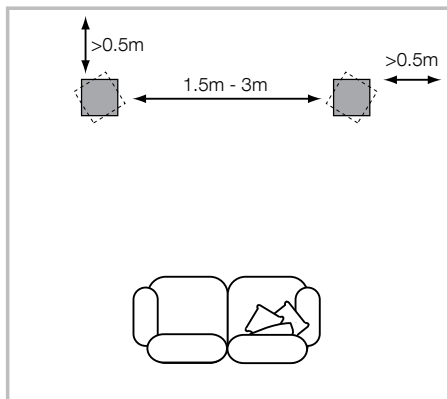
W obydwu przypadkach instalacji głośnik wysokotonowy powinien być umiejscowiony mniej więcej na wysokości ucha.

Uwaga: Jeżeli używasz półki upewnij się że jest wystarczająco wytrzymała aby właściwie podtrzymać głośnik i przyklej 4 samoprzylepne podkładki do spodu głośnika.

FS-805 D3 lub 804 D3

Podstawki FS-805 D3 i kolumny 804 D3 są przeznaczone wyłącznie do umieszczenia na podłodze. Jest bardzo ważne aby upewnić się że głośniki stoją stabilnie na podłożu – w tym celu zalecamy użyć kołców zawsze gdy to możliwe.

Kolce są zaprojektowane tak, aby pały się stabilnie na powierzchni podłogi mimo np. miękkiego dywanu. Na wstępie wkręć nakrętki na gwint kołców tak, aby swobodnie opadały nad powierzchnią dywanu kiedy ostre zakończenia kołców opierają się na podłodze pod powierzchnią dywanu. Wkręć kolce do oporu w nagwintowane otwory cokołu. Jeżeli kolumna lub podstawka kołysze się po ustawieniu na podłodze



wykręcaj powoli te kolce, które nie dotykają podłogi do momentu kiedy obudowa stoi pewnie bez kołysania. Na koniec dokręć nakrętki do cokołu do końca. Bardziej wygodne może być aby dopasować i wyregulować kolce dopiero po optymalizacji miejsca ustawieniu głośnika.

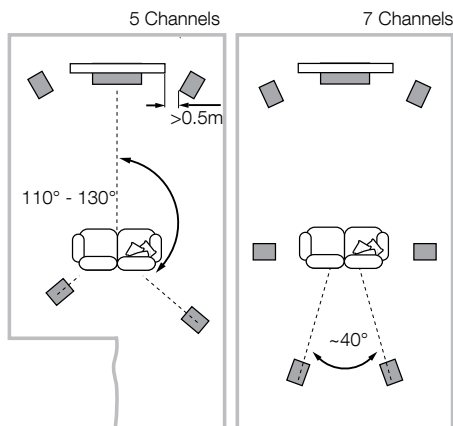
W przypadku gdy nie stawiasz kolumn na dywanie a nie chcesz porysować powierzchni podłogi użyj jakiegoś metalu dla ochrony, może być to zwykła moneta podłożona pod kolce lub użyj dołączonych do kolumn gumowych nóżek. Zamontuj gumowe nóżki i wypoziomuj kolumnę lub podstawkę w ten sam sposób jak w przypadku użycia kolców.

Ustawienie głośnika

Zarówno w systemach stereo jak i kina domowego postaraj się, aby bezpośrednie otoczenie każdego głośnika było podobne akustycznie. Na przykład jeśli jeden z głośników przylega do ściany a inny do miękkich zasłon lub mebli jakość dźwięku będzie prawdopodobnie niższa.

Systemy stereo

Na początku głośniki powinny zostać ustawione w odległości od 1.5m do 3m od siebie w rogach trójkąta równobocznego, którego trzeci wierzchołek będzie stanowić miejsce odsłuchu. Głośniki powinny znajdować się w odległości ok. 0.5m od ściany (zarówno za głośnikami jak i po bokach, patrz rysunek powyżej).



Systemy kina domowego

Jeśli głośniki mają być użyte jako głośniki frontowe w zestawie kina domowego powinny znajdować się bliżej siebie w porównaniu do zestawu stereo, ponieważ zestawy surround rozszerzają pole dźwięku. Ustawienie głośników w odległości ok. 0.5m od boków telewizora pozwoli również na synchronizację dźwięku z obrazem. Tak jak w przypadku zestawów stereo głośniki powinny znajdować się w odległości przynajmniej 0.5m od ścian. Jeśli wolisz ustawić głośniki bliżej ściany sprawdź sekcję Dostrajanie w niniejszej instrukcji, aby dowiedzieć się więcej na temat użycia piankowych zatyczek.

Wszystkie podłączenia powinny być dokonywane przy wyłączonych urządzeniach audio.

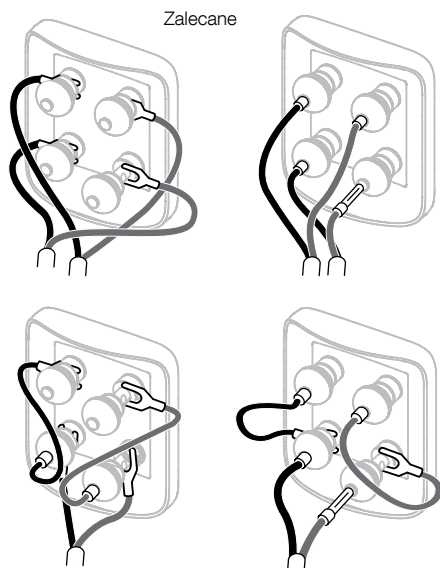
Gniazda podłączeniowe kolumn głośnikowych 805 D3 i 804 D3 akceptują różne rodzaje wtyków: wtyki bananowe 4 mm, widełki 6 i 8 mm, gołe kable do 4 mm średnicy.



Ważna informacja dotycząca bezpieczeństwa

W niektórych krajach, szczególnie europejskich, używanie wtyków bananowych 4mm jest uznawane za niebezpieczne z uwagi na to, że mogą być wsadzone do gniazdka ściennego. W celu spełnienia norm bezpieczeństwa CENELEC otwory 4mm na końcu gniazd są zatkałe plastikowymi zatyczkami. Jeśli mieszkasz w jednym z krajów, których dotyczą powyższe regulacje upewnij się, że wtyki bananowe nie będą użyte w sposób niebezpieczny przez dzieci lub inne osoby.

Zapytaj sprzedawcę, aby doradził Ci w sprawie kupna przewodu głośnikowego. Pamiętaj, aby impedancja kabla była niższa niż maksymalna dopuszczalna w specyfikacji kolumny i używaj kabli niskoindukcyjnych, by uniknąć niebezpieczeństwa falowania wysokich częstotliwości.

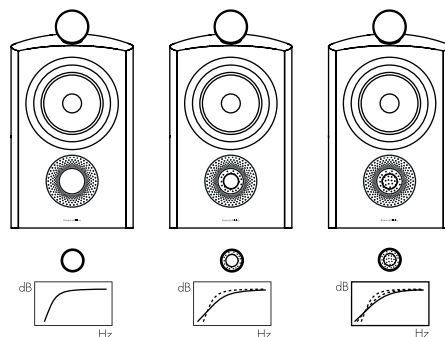


Na tylnym panelu każdej z kolumn są 2 pary gniazd podłączeniowych, które umożliwiają podłączenie typu bi-wire (rysunek powyżej). W przypadku konwencjonalnego podłączenia typu single wire dopasuj przewody do gniazd według polaryzacji. Bi-wiring może poprawić brzmienie detali muzycznych.

Upewnij się, że gniazda połączeniowe z czerwonym obramowaniem zostały połączone z gniazdami o dodatniej polaryzacji na wzmacniaczu a gniazda z czarnym obramowaniem z gniazdami o ujemnej polaryzacji na wzmacniaczu. Nieprawidłowe podłączenie będzie skutkowało pogorszeniem jakości dźwięku i utratą niskich tonów. Zawsze dokręcaj główki gniazd do końca, aby uniknąć zniekształceń dźwięku.

4. Dostrajanie

805 D3

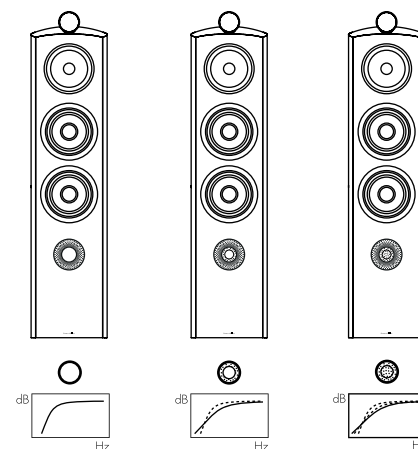


Przed dostrajaniem upewnij się, że wszystkie podłączenia są wykonane prawidłowo.

Odsunięcie kolumn od ściany zredukuje ogólny poziom niskich tonów. Przestrzeń za kolumnami pozwoli również na wytworzenie odpowiedniej głębi dźwięku. Przyniesienie kolumn bliżej ściany spowoduje efekt odwrotny: wzrośnie poziom basu a poczucie głębi dźwięku zostanie zredukowane. Jeśli chcesz zmniejszyć poziom niskich dźwięków bez konieczności odsuwania kolumn od ściany do portów basowych kolumn wetknij piankowe zatyczki lub dla mniejszej redukcji basów zewnętrzne pierścienie zatyczek. Montaż gąbek i pierścieni zilustrowano na powyższym rysunku.

Jeśli niskie tony powodują problem z częstotliwością zwykle spowodowane jest to rezonansem wynikającym z ukształtowania pomieszczenia. Nawet minimalne zmiany ustawienia kolumn lub zmiany miejsca odsłuchu mogą mieć dobry wpływ na te zakłócenia. Spróbuj ustawić kolumny w różnych miejscach. Zmiana położenia większych mebli również może przynieść efekt.

804 D3



Jeśli środkowi sceny dźwiękowej brakuje detali postaraj się przybliżyć kolumny do siebie lub skierować je pod kątem do pozycji odsłuchowej.

Jeśli dźwięk jest zbyt „jasny” zwiększenie ilości miękkich elementów wystroju (np. cięższych zastaw) może pomóc zbalansować dźwięk. Odwrotnie, zmniejszenie ilości miękkich elementów spowoduje rozjaśnienie dźwięku.

Dla najlepszego odsłuchu możesz również spróbować zdjęć maskownice z głośników nisko i średniotonowych delikatnie chwytając za maskownice i odczepiając je od kolumny.

5. Początkowy okres eksploatacji

Działanie kolumn może delikatnie zmieniać się w początkowym okresie użytkowania. Jeśli kolumny były przechowywane w chłodnym miejscu, niektóre komponenty będą potrzebowały czasu, aby nabrać odpowiednich właściwości mechanicznych. Zawieszenie głośników również delikatnie się zmieni w ciągu pierwszych godzin użytkowania. Czas, jakiego potrzebuje kolumna na osiągnięcie optimum swoich możliwości będzie się różnił w zależności od sposobu przechowywania kolumn przed zakupem i sposobie użytkowania. Zwykle trwa to około tygodnia, aby ustabilizowały się czynniki temperaturowe i 15 godzin użytkowania, aby części mechaniczne osiągnęły swoje charakterystyki.

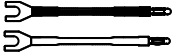


6. Pielęgnacja

Obudowa kolumn zazwyczaj wymaga tylko usunięcia kurzu. Zalecamy użycie ściereczki dołączonej do produktu. Jeśli chcesz użyć aerozolu lub innego środka czyszczącego, rozpyl aerozol na szmatkę, a nie bezpośrednio na produkt. Najpierw sprawdź na małej powierzchni, czy środek czyszczący nie niszczy podłoża. Unikaj materiałów szorstkich i takich, które zawierają kwas, są zasadowe lub antybakteryjne. Nie stosuj środków czyszczących na głośniki. Unikaj dotykania głośników.

W celu uniknięcia ryzyka uszkodzenia powierzchni, trzymaj produkt z dala od źródeł ciepła takich jak kaloryfery lub wentylatory gorącego powietrza. Za każdym razem, gdy wykończenie głośników Bowers & Wilkins jest drewniane, wybierane są najlepsze materiały, pokrywane następnie lakierem odpornym na promieniowanie ultrafioletowe, co pozwala minimalizować zmiany koloru powstałe z biegiem czasu. Jakkolwiek, podobnie jak w przypadku wszystkich materiałów naturalnych, środowisko zewnętrzne ma wpływ na wykończenie kolumn i należy spodziewać się stopniowej zmiany koloru. Efekty takich zmian mogą być szczególnie widoczne w miejscach, które podlegają przekształceniom wolniej, takich jak obszary przykryte przez maskownicę lub pozostające w cieniu. Różnice w kolorach mogą być skorygowane poprzez wystawienie w równym stopniu wszystkich powierzchni obudowy na działanie promieni słonecznych, aż do momentu gdy kolor jest jednolity. Proces ten może zająć kilka dni lub nawet tygodni, ale może również zostać przyspieszony poprzez ostrożne zastosowanie lampy ultrafioletowej.

1. 开箱

805 D3

	2
	8
	2

包装箱内的物品

805 D3

2对连接线
8个自粘塑胶垫
2个两部分组成的泡棉塞

804 D3

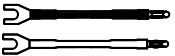


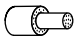
2对连接线
8个M6钉脚及防松螺母
8个橡胶脚
2个两部分组成的泡棉塞

805 D3和804 D3有一定的重量，我们强烈建议在房间内由二人一起合力完成。作为谨慎的预防措施，也请阁下取下佩戴的首饰，以免刮伤扬声器表面的外饰。

上表列出了805 D3和804 D3随附的组件。如发现缺少任何组件，请先与购买扬声器的经销商联系。

2. 摆放位置

804 D3

	2
	8
	8
	2

所有面网都通过磁力吸附。较重的中低音面网放置在单独的隔间中，以防止运输过程中发生移动。

高音振膜极为精致，很容易损坏。于800钻石系列中，我们配备了一个钢制网罩，以防止高音单元受到任何形式的损害。然而，当阁下处理和清洁扬声器时，仍需小心谨慎。

环保信息

本产品符合国际指令，包括但不限于：

- i. 有关电机和电子设备的有害物质禁用指令 (RoHS)
- ii. 化学品注册、评估、许可和限制 (REACH)
- iii. 废电机电子设备指令处理规定 (WEEE)

请咨询阁下当地的废弃物处理局，了解有关如何正确回收或处理本产品的指导。

安装扬声器

使用壁挂架 (仅适用于805 D3)

此扬声器主要设计用于安装在专用脚架(FS-805 D3)，但也可以放置于架上。但请注意这有可能会影响优化扬声器表现的灵活性。如放在架上，我们建议使用泡棉塞(随附)来优化导孔的表现 (详见第5节: 微调)。

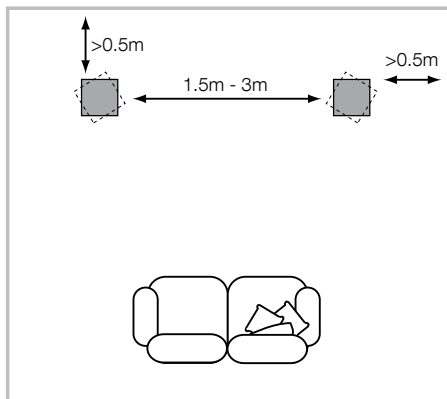
在这两种情况下，扬声器的高音单元均应与平时聆听位置时的耳朵高度大致平齐。

注：如放在书架上，请确保书架结实，足以支持扬声器重量，并将4个自粘塑胶垫放置在扬声器底部。

FS-805 D3 或 804 D3

FS-805 D3及804 D3的安装为座地式。尽可能使用附带的钉脚把它固定在地板上。

钉脚须穿过地毯，竖立在地板表面。首先把螺母旋扭到钉脚上，直到当钉脚安放在地面时，螺母刚好浮在地毯表面。然后将钉脚全部拧入底座的螺纹圈中。如果箱体及脚架在地板上摇晃，松开未接触到地板的钉脚，直到箱体稳当放置，不再摇晃。最后把螺母向底座方向锁紧。先选好扬声器的定位才安置及调整钉脚会较为便利。



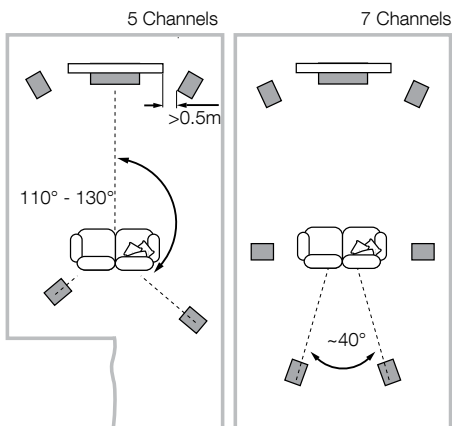
如果没有地毯，而希望避免刮花地板表面，可在钉脚和地板之间用上保护性的金属盘、尖脚杯或硬币，或是使用附带的橡胶脚垫。安装橡胶脚垫及平衡箱体的方法如安装钉脚一样。

扬声器的定位

无论是在立体声还是家庭影院的安装中，要设法确保每个紧贴扬声器周围的物件在声音特色上类似。例如，如果一个扬声器的周围是无遮蔽的墙，而另一个扬声器的周围是软性陈设品或窗帘，则整个声音质量和立体结像则可能受到影响。

传统立体声系统

首先，扬声器应该定位在一个等边三角形的两个角的1.5至3米之间，而等边三角形的第三角应该在视听区。扬声器应该离后墙约0.5米，而离任何一侧墙至少约0.5米（见上图）。



家庭影院系统

如果扬声器被用于家庭影院中的前声道，他们应该放置在较双声道相互更近的位置，因为环绕声道趋向于将结像加宽。将扬声器放置在离屏幕约0.5米之内也有助于使声音结像与视觉影像成比例。犹如传统的立体声定位一样，扬声器应该处于离任何一侧墙至少0.5米的理想位置。如果希望将扬声器背着后墙放置，而该位置导致低音过强，请参见本手册微调部分使用泡沫栓塞的信息。

3. 连接

连接时须关闭所有音频设备。

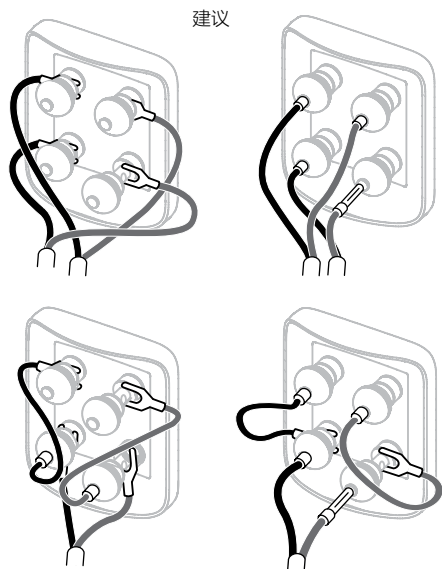
805 D3和804 D3扬声器的插座适用于多种接线头：4毫米香蕉插、6毫米和8毫米(1/4英寸和 5/16英寸)的铲形接头或直径在4毫米(5/32英寸)以内的裸线。



重要安全指示

在某些国家，尤其是欧洲国家，使用4毫米香蕉插被认为具有安全危险，因为它们可以用于插入无遮蔽的电源座插孔。为了遵从欧洲电工标准化委员会CENELEC的安全规定，接线端上的4毫米孔由塑料插脚封闭。如果阁下在任何执行这种规定的国家内使用这些产品，请确保儿童或其他不知情人士勿以危险的方式使用香蕉插。

在选择扬声器接线时，请向经销商咨询。总电阻抗应低于扬声器规格中所建议的最大值，并使用低电感的接线，以避免高频减弱。

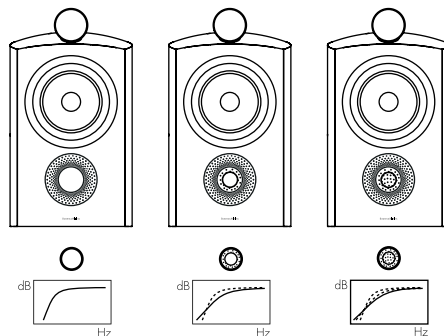


每台扬声器的背部均有两对插座，可用于双线连接(上)。对于传统的单线连接，使用随附的接线与同极性的插座相连。双接连线可改善低层次细节的分辨率。

连接时请确保将扬声器的正极端(配有红色环)连接到放大器的正极输出端，而且扬声器的负极端(配有黑色环)保持连接到放大器的负极输出端。错误连接虽然不会造成损坏，但会导致劣质立体声像效果及损失低音。请务必将插座盖锁紧以避免嘎嘎作响。

4. 微调

805 D3

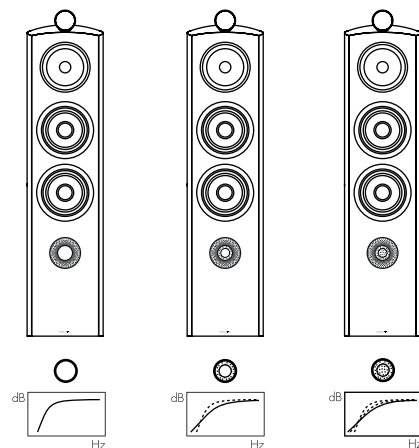


在微调前，确保安装中的所有连接正确且安全。

一般来说，把扬声器移离墙壁可降低低音。扬声器后的空间会帮助创造出一种听觉上的深度感。相反，把扬声器移近墙壁则可增加低音。如果你希望减少低音而不把扬声器移离墙壁，可使用泡棉塞或泡棉环，来达到减低强烈的低音（见上图）。

如果低音的频率不均衡，这很可能是因为在试听室里的谐振模式引起的。即使扬声器或试听的位置很小的改变都可以使谐振对声音的效果产生很深的影响。设法移动试听的位置或者将扬声器放在不同的墙旁边。大件家具的存在及其位置也会影响谐振模式。

804 D3



假如中心图像缺少焦点，可试着将扬声器彼此离得更近或者使其向内成一个角度，这样它们就可以正对着试听的位置。

如果音质太过明快，则在房间内增加软性的陈设品（如较重的窗帘）可以帮助平衡音质。相反，在房间内减少软性的陈设品可以使迟缓的音质变得明快。

要使声音层次更清晰，请抓住中低音面网的边缘，轻轻向箱体外拉以将其移除。

5. 煲机

在初始试听阶段，扬声器的性能会发生细微变化。如果扬声器被安装在较冷的房间内，驱动装置的阻尼复合组件和悬挂材料会需要一些时间来恢复其正确的机械性能。驱动装置的悬挂部分也会在最初使用的几小时内松动。使扬声器达到理想性能状态的时间将因以前的储存条件和使用方法而有所变化。作为使用指引，可以用一周时间来稳定温度的影响，或者用平均使用15小时的时间来使机械部分达到理想的设计性能。

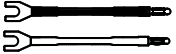


6. 保养

箱体表面通常仅需要除尘。建议阁下使用产品随附的布块。如果想要使用喷雾剂或其它清洁剂，请将清洁剂使用在布块上，不要直接喷到产品上，并先在一小块面积上试用，因为有些清洁产品可能会损坏表面。请勿使用具有磨蚀性，包含酸、碱或抗菌剂的产品。请勿对驱动单元使用清洁剂。请避免触摸驱动单元，因为可能导致损坏。

尽管Bowers & Wilkins扬声器使用真木外饰，其板材均通过精选，并使用耐紫外线漆处理，以减低随时间而产生的颜色变化。然而，就像所有的天然材料一样，表面饰板将受到环境的影响并产生不同程度的颜色变化。可通过将饰板表面同等平均地置于阳光下以修正颜色不一的现象，直到颜色统一。此过程可能需要数天或数星期，但是可通过小心使用紫外线灯来加速此过程。木质饰板表面应远离直接热源，例如，发热器和暖气出风口，以减小木质板材开裂的可能性。

1. 開箱

805 D3

	2
	8
	2

包裝箱內的物品

805 D3
2對連接線
8個自黏塑膠墊
2個兩部分組成的泡棉塞





804 D3
2對連接線
8個M6釘腳及防鬆螺母
8個橡膠腳
2個兩部分組成的泡棉塞

805 D3和804 D3有一定的重量，我們強烈建議在房間內由二人一起合力完成。作為謹慎的預防措施，也請閣下取下佩戴的首飾，以免刮傷揚聲器表面的外飾。

上表列出了805 D3和804 D3隨附的組件。如發現缺少任何元件，請先與購買揚聲器的經銷商聯繫。

2. 擺放位置

804 D3

	2
	8
	8
	2

所有面網都通過磁力吸附。較重的中低音面網放置在單獨的隔間中，以防止運輸過程中發生移動。

高音振膜極為精緻，很容易損壞。於800鑽石系列中，我們配備了一個鋼制網罩，以防止高音單元受到任何形式的損害。然而，當閣下處理和清潔揚聲器時，仍需小心謹慎。

環保資訊

本產品符合國際指令，包括但不限於：

- i. 有關電機和電子設備的危害物質禁用指令 (RoHS)
- ii. 化學品註冊、評估、許可和限制 (REACH)
- iii. 廢電機電子設備指令處理規定 (WEEE)

請諮詢閣下當地的廢棄物處理局，瞭解有關如何正確回收或處理本產品的指導。

安裝揚聲器**使用壁掛架 (僅適用於805 D3)**

此揚聲器主要設計用於安裝在專用腳架(FS-805 D3)，但也可以放置於架上。但請注意這有可能影響優化揚聲器表現的靈活性。如放在架上，我們建議使用泡棉塞(隨附)來優化導孔的表現(詳見第5節: 微調)。

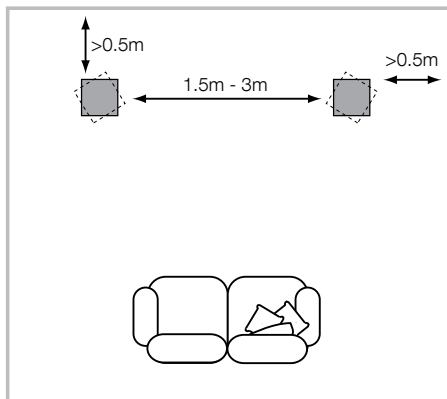
在這兩種情況下，揚聲器的高音單元均應與平時聆聽位置時的耳朵高度大致平齊。

注：如放在書架上，請確保書架結實，足以支持揚聲器重量，並將4個自黏塑膠墊放置在揚聲器底部。

FS-805 D3 或 804 D3

FS-805 D3及804 D3的安裝為座地式。盡可能使用附帶的釘腳把它固定在地板上。

釘腳須穿過地毯，豎立在地板表面。首先把螺母旋扭到釘腳上，直到當釘腳安放在地面時，螺母剛好浮在地毯表面。然後將釘腳全部擰入底座的螺紋圈中。如果箱體及腳架在地板上搖晃，鬆開未接觸到地板的釘腳，直到箱體穩當放置，不再搖晃。最後把螺母向底座方向鎖緊。先選擇好揚聲器的定位才安置及調整釘腳會較為便利。



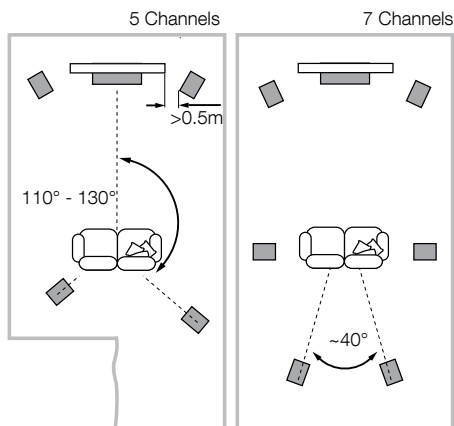
如果沒有地毯，而希望避免刮花地板表面，可在釘腳和地板之間用上保護性的金屬盤、尖腳杯或硬幣，或是使用附帶的橡膠腳墊。安裝橡膠腳墊及平衡箱體的方法如安裝釘腳一樣。

揚聲器的定位

無論是在立體聲還是家庭影院的安裝中，要設法確保每個緊貼揚聲器周圍的物件在聲音特色上類似。例如，如果一個揚聲器的周圍是無遮蔽的牆，而另一個揚聲器的周圍是軟性陳設品或窗簾，則整個聲音品質和立體結像則可能受到影響。

傳統立體聲系統

首先，揚聲器應該定位在一個等邊三角形的兩個角的1.5至3米之間，而等邊三角形的第三角應該在視聽區。揚聲器應該離後牆約0.5米，而離任何一側牆至少約0.5米(見上圖)。



家庭影院系統

如果揚聲器被用於家庭影院中的前聲道，他們應該放置在較雙聲道相互更近的位置，因為環繞聲道趨向於將結像加寬。將揚聲器放置在離螢幕約0.5米之內也有助於使聲音結像與視覺影像成比例。猶如傳統的立體聲定位一樣，揚聲器應該處於離任何一側牆至少0.5米的理想位置。如果希望將揚聲器背著後牆放置，而該位置導致低音過強，請參見本手冊微調部分使用泡沫栓塞的資訊。

3. 連接

連接時須關閉所有音頻設備。

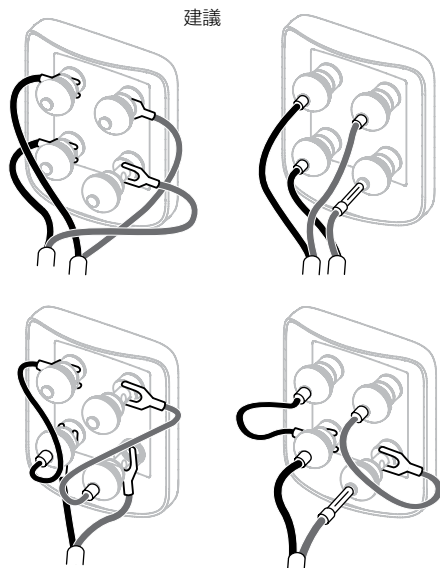
805 D3和804 D3揚聲器的插座適用於多種接線頭：4毫米香蕉插、6毫米和8毫米(1/4英寸和5/16英寸)的鏟形接頭或直徑在4毫米(5/32英寸)以內的裸線。



重要安全指示

在某些國家，尤其是歐洲國家，使用4毫米香蕉插被認為具有安全危險，因為它們可以用於插入無遮蔽的電源座插孔。為了遵從歐洲電工標準化委員會CENELEC的安全規定，接線端上的4毫米孔由塑膠插腳封閉。如果閣下在任何執行這種規定的國家內使用這些產品，請確保兒童或其他不知情人士勿以危險的方式使用香蕉插。

在選擇揚聲器接線時，請向經銷商諮詢。總電阻抗應低於揚聲器規格中所建議的最大值，並使用低電感的接線，以避免高頻減弱。

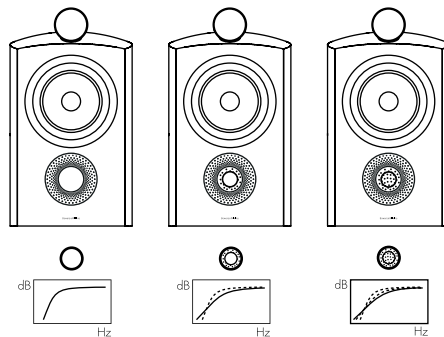


每台揚聲器的背部均有兩對插座，可用於雙線連接(上)。對於傳統的單線連接，使用隨附的接線與同極性的插座相連。雙接連線可改善低層次細節的解析度。

連接時請確保將揚聲器的正極端(配有紅色環)連接到放大器的正極輸出端，而且揚聲器的負極端(配有黑色環)保持連接到放大器的負極輸出端。錯誤連接雖然不會造成損壞，但會導致劣質立體聲像效果及損失低音。請務必將插座蓋鎖緊以避免嘎嘎作響。

4. 微調

805 D3

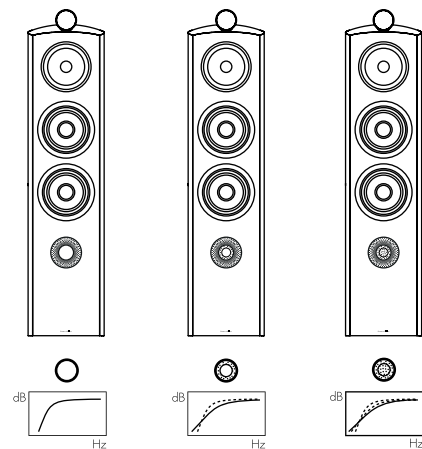


在微調前，確保安裝中的所有連接正確且安全。

一般來說，把揚聲器移離牆壁可降低低音。揚聲器後的空間會幫助創造出一種聽覺上的深度感。相反，把揚聲器移近牆壁則可增加低音。如果你希望減少低音而不把揚聲器移離牆壁，可使用泡棉塞或泡棉環，來達到減低強烈的低音(見上圖)。

如果低音的頻率不均衡，這很可能是因為試聽室裡的諧振模式引起的。即使揚聲器或試聽的位置很小的改變都可以使諧振對聲音的效果產生很深的影響。設法移動試聽的位置或者將揚聲器放在不同的牆旁邊。大件傢俱的存在及其位置也會影響諧振模式。

804 D3



假如中心圖像缺少焦點，可試著將揚聲器彼此離得更近或者使其向內成一個角度，這樣它們就可以正對著試聽的位置。

如果音質太過明快，則在房間內增加軟性的陳設品(如較重的窗簾)可以幫助平衡音質。相反，在房間內減少軟性的陳設品可以使遲緩的音質變得明快。

要使聲音層次更清晰，請抓住中低音面網的邊緣，輕輕向箱體外拉以將其移除。

5. 煲機

在初始試聽階段，揚聲器的性能會發生細微變化。如果揚聲器被安裝在較冷的房間內，驅動裝置的阻尼複合元件和懸掛材料會需要一些時間來恢復其正確的機械性能。驅動裝置的懸掛部分也會在最初使用的幾小時內鬆動。使揚聲器達到理想性能狀態的時間將因以前的儲存條件和使用方法而有所變化。作為使用指引，可以用一周時間來穩定溫度的影響，或者用平均使用15小時的時間來使機械部分達到理想的設計性能。




6. 保養

箱體表面通常僅需要除塵。建議閣下使用產品隨附的布塊。如果想要使用噴霧劑或其它清潔劑，請將清潔劑使用在布塊上，不要直接噴到產品上，並先在一小塊面積上試用，因為有些清潔產品可能會損壞表面。請勿使用具有磨蝕性，包含酸、鹼或抗菌劑的產品。請勿對驅動單元使用清潔劑。請避免觸摸驅動單元，因為可能導致損壞。

儘管Bowers & Wilkins揚聲器使用真木外飾，其板材均通過精選，並使用耐紫外線漆處理，以減低隨時間而產生的顏色變化。然而，就像所有的天然材料一樣，表面飾板將受到環境的影響並產生不同程度的顏色變化。可通過將飾板表面同等平均地置於陽光下以修正顏色不一的現象，直到顏色統一。此過程可能需要數天或數星期，但是可通過小心使用紫外線燈來加速此過程。木質飾板表面應遠離直接熱源，例如，發熱器和暖氣出風口，以減小木質板材開裂的可能性。

1. 開梱

805 D3

	2
	8
	2

内容物

805 D3
リンクワイヤ2組(4本)
粘着式プラスチックパッド8枚
ツーパート・フォームプラグ2個

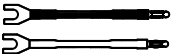



804 D3
リンクワイヤ2組(4本)
M6サイズのスパイクフィートとロックナット8組
ゴム足8個
ツーパート・フォームプラグ2個

805 D3ダイヤモンドおよび804 D3ダイヤモンドは非常に重いので、このスピーカーを使用する部屋で、2人で開梱することを強くお奨めします。また、スピーカーの表面仕上げに傷が付かないよう、予防策として宝飾品を外す方がよいでしょう。

上記の表は805 D3ダイヤモンドおよび804 D3ダイヤモンドと一緒に梱包されているコンポーネント部品を示しています。万が一いずれかが欠けていたら、スピーカーを購入された小売店に連絡してください。

2. 設置場所

804 D3

	2
	8
	8
	2

グリルはすべて磁気で付いています。重いバス/ミッドレンジ用のグリルは、搬送中に動かないように別の仕切に入っています。

トゥイーター・ダイヤフラムは非常にデリケートで傷つきやすい部品です。800シリーズ・ダイヤモンドには、様々な破損からトゥイーターを守るスチール製メッシュグリルが取り付けられていますが、それでも取り扱いや手入は十分慎重に行ってください。

環境関連情報

本製品は以下を含む国際指令に準拠しています。

- i. 電子・電気機器における特定有害物質の使用制限 (RoHS)
- ii. 化学物質の登録、評価、認可および制限 (REACH)
- iii. 廃電気電子機器指令 (WEEE)

本製品の適切なリサイクルまたは処分方法の指針については現地の廃棄物処理当局にお問い合わせください。

スピーカーの設置

ウォールシェルフを用いる場合(805 D3のみ)

805 D3は、主に専用のフロアスタンド(FS-805 D3)にマウントするために設計されたものですが棚に置いてもかまいません。ただし、棚に置くと、スピーカーのパフォーマンスを最大限に引き出すフレキシビリティが損なわれてしまいます。もし棚に置かなければならない場合、ポートのパフォーマンスを最適にするためにフォームプラグ(同梱)を用いることをお薦めします(「セクション5: 微調整」を参照)。

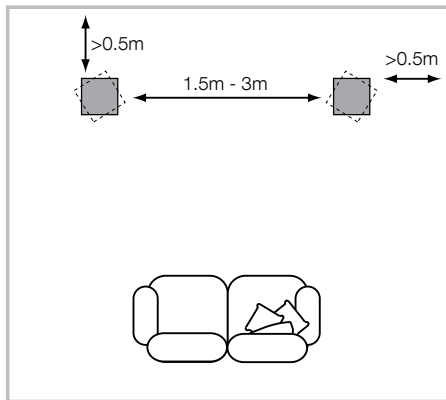
いずれの場合も、スピーカーのトゥイーターは、通常のリスニングポジションでほぼ耳の高さになるように設置してください。

注意: 棚に置く場合、重さをしっかりと支えるだけの頑丈さがあることを確認し、粘着式プラスチックフィート4枚をスピーカーの下に入れるようにしてください。

FS-805 D3または804 D3

FS-805 D3と804 D3は床置き専用です。できるだけ同梱のスパイクフィートを用い、床にしっかりと設置することが大切です。

スパイクフィートは、カーベットを貫通して床面にしっかりと設置するためのものです。まず、ロックナットとスパイクを、スパイクはカーベット下の床の上、ナットはカーベットの上すれすれに浮かぶようにねじでとめます。次に、土台のねじ穴にスパイクを完全にねじ入れます。キャビネットやスタンドを床に置いた時にぐらつくようであれば、床から浮いているスパイク2個のねじを緩めて調節し、本体がしっかりと安定するようにします。最後に、ナットを土台に固定します。スパイクフィートのはめ込みと調節は、スピーカーの位置を最適に調整してからの方が都合がよいかもしれません。



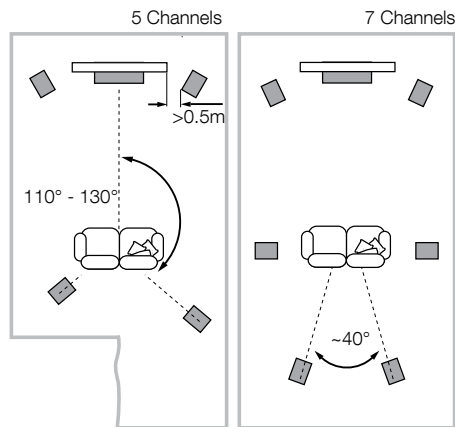
カーペットがなく、床面の傷付きを防止したい場合、スパイクと床の間に金属ディスクやスパイク受け、コインを入れて保護するか、同梱のゴム足をお使いください。ゴム足をはめてキャビネットやスタンドを安定させる方法はスパイクフィートの場合と同じです。

スピーカー設置位置

ステレオ又はホームシアターのどちらの場合でも、スピーカーの設置はそれぞれのスピーカーの設置環境が、音響的特性において同じになるように行ってください。例えば片方のスピーカーが露出した壁のすぐ近くに設置され、もう一方のスピーカーが軟らかい家具やカーテンの近くに設置されたとします。この場合は、総合的なサウンドクオリティとステレオイメージの両面で妥協した形になります。

従来のステレオシステム

始めに、左右のスピーカーを1.5mから3m離して設置し、次に左右のスピーカーがリスニングポジションを頂点とした2等辺三角形の位置になるように設置します。スピーカーは後ろの壁からは約0.5m、横の壁からは0.5m以上離して設置してください(上図)。



ホームシアターシステム

ホームシアターシステムのフロントチャンネルにこのスピーカーを使用する場合、サラウンドチャンネルが広がりのあるサウンドイメージを作る傾向にあるので、2チャンネルオーディオ(ステレオシステム)セッティングより左右のスピーカーが近くなるように設置してください。また映像のイメージとサウンドイメージのスケールが一致するように、フロントスピーカーはスクリーンの横から約0.5m以内に設置するようにしてください。ステレオセッティングと同様に、スピーカーはあらゆる壁から約0.5m以上離して設置することが理想的です。お使いのスピーカーを壁に掛ける場合に低音が過度に強調される時は、フォームプラグの使用について、このマニュアルの「微調整」のセクションを参照してください。

すべての接続はオーディオ機器のスイッチを切った状態で行ってください。

805 D3ダイヤモンドおよび804 D3ダイヤモンドスピーカーの端子は様々なケーブル端子に対応しています。4mm バナナプラグ、6mm および 8mm (1/4 インチ および 5/16 インチ) スペードプラグ、または直径最大 4mm (5/32インチ) までの裸線などです。

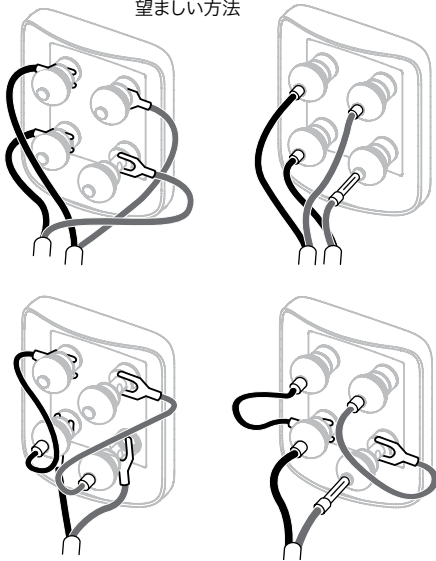


重要な安全上の注意

特にヨーロッパ諸国などの一部の国では、4mmバナナプラグは、シャッターのない電源ソケットの穴に挿入される可能性があるため、潜在的に安全上の危険があると考えられています。欧州のCENELEC 安全規則に準拠するため、端子の先端の4mmの穴はプラスチック・ピンで塞がれています。これらの条件が適用される国でこの製品を使用する場合は、子供や知識のない人物が危険な方法でバナナプラグを使用できないようにしてください。

スピーカー・ケーブルを選ぶ際には販売店に問い合わせてください。総インピーダンスはスピーカーの仕様で推奨される最大値より低くし、低インダクタンス・ケーブルを用いて高音域が減衰しないようにしてください。

望ましい方法

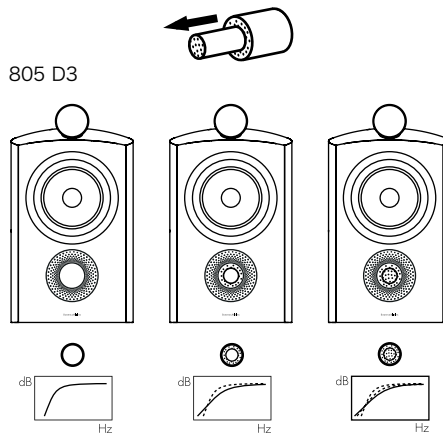


各スピーカーの背面には、バイ・ワイヤリングが可能な2組の端子があります(トップ図参照)。従来のシングル・ワイヤ接続を行う場合は、付属のリンク・ワイヤで同じ極性の端子をつないでください。バイ・ワイヤリングにすると低域のディテールのレゾリューションを改善することができます。

スピーカーのプラス端子(赤いリング)をアンプのプラス出力端子に、スピーカーのマイナスの端子(黒いリング)をアンプのマイナス出力端子に必ず接続してください。接続を誤っても破損することはありませんが、音像が損なわれ、低音が失われます。端子のキャップは必ず完全に下まで回して締め、ガタつかないようにしてください。

4. 微調整

805 D3

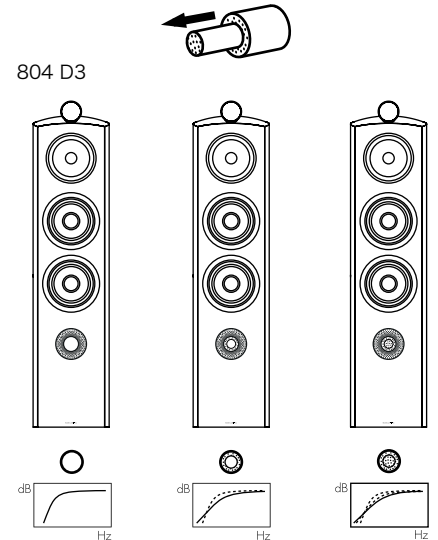


ファインチューニングの前に、もう一度全ての設置と接続が正しく且つ安全に行われているか確認して下さい。

一般的に壁からスピーカーを遠ざけると低音域の量が少なくなります。スピーカーの後ろにスペースをつくることによって、音場の奥行き感を得ることができます。逆に言えばスピーカーを壁に近づけることによって低音域のボリュームを増やすことができます。壁からの距離を変えずにスピーカーに低音域のふくらみを低減させたい場合には、スピーカーのバスレフポートにフォームプラグ挿入してみてください。また少し低音域を減少させたい場合はフォームリングをバスレフポートに挿入して下さい。フォームプラグ、又はフォームリングの使用方法は上図を参照してください。

もし低域が周波数的にフラットではないと思われたら、それはリスニングルームの共振モードのために発生している可能性があります。スピーカーの位置又はリスニングポジション等の小さな変更で、これらの共振の影響が改善される場合もあります。リスニングポジションを移動するか、または異なった壁に沿ってスピーカーの設置位置を変更してみてください。大きな家具の位置や配置の共振モードに影響します。

804 D3



センターイメージのフォーカスがあいまいな場合は、左右のスピーカーの間隔をもっと狭めるか、スピーカーの設置角度をリスニングポジションの前に合わせ、もっと内側に向けると改善される場合があります。

再生した音が高音域に偏っていると感じられた時は、部屋に音を吸収するような柔らかい家具等を増やしてみてください。(例えば重たいカーテンを使用する等)おそらくサウンドバランスを整える助けとなります。また逆に、再生した音がこもった感じになった場合は、それらの家具を減らしてみてください。

最もシャープな音を聞きたい場合は、バス/ミッドレンジのグリルの端をつかんでキャビネットからそっと引っ張り、グリルを取り外してください。

5. ならし運転

スピーカーの性能は、御使用になるにつれて微妙に変化します。スピーカーが冷たい環境に保管されていた場合、ドライブユニットのダンピング材とサスペンションが本来の機械的特性を取り戻すまで、しばらく時間が掛かります。ドライブユニットのサスペンションは音量やソースにもよりますが、鳴らし始めてから1時間くらいで徐々にほぐれてきます。スピーカーが意図された性能を取り戻すまでにかかる時間は、開梱までの保管条件や、どの様に使用されるかによって異なります。目安としては、温度による影響を安定させる為、ご使用される状況で1週間、また意図されたデザイン特性に達するために、平均15時間スピーカーを鳴らすことを見込んでください。

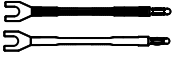


6. お手入れ

キャビネットの表面は、普段はほこりを払うだけで十分です。製品付属の布を使用することをお勧めします。スプレー式クリーナー等のクリーナーを使用する場合は、一部のクリーナーでは表面にダメージを与えることもありますので、クリーナーを直接製品に吹き付けるのではなく、布に吹き付けて、まず狭い範囲で試してください。ドライブ・ユニットにはクリーナーを使用しないでください。ダメージを与える可能性があるため、ドライブ・ユニットには触れないで下さい。

Bowers & Wilkinsでは、リアルウッド仕上げのスピーカーには最高級の化粧板を選び、色の経年変化を最小限にする紫外線抵抗色のカラー塗料で処理しています。それでも、あらゆる自然素材と同様に、化粧板は、環境の影響を受け、ある程度の色の変化が予想されます。色の変化は、化粧板の全表面を、色が一樣になるまでむらなく均等に日光をあてることで修正できます。この処理には数日または数週間かかる場合がありますが、紫外線ランプを注意して使用することで所要時間を短縮することができます。また、化粧板の表面に亀裂が入る可能性を最小限に抑えるために、ラジエーターや暖気排出口等の直接的な熱源から離れた場所に置いてください。

1. 포장 풀기

805 D3

	2
	8
	2

내용물

805 D3
2 링크 와이어
8 점착 플라스틱 패드
2 2중 폼 플러그

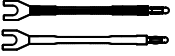
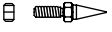


804 D3
2 링크 와이어
8 M6 스파이크 & 너트
8 고무 발받침
2 2중 폼 플러그

805 D3 및 804 D3는 설치할 장소에서 2명 이상이 포장을 해체하실 것을 추천합니다. 또, 스피커의 표면 마감에 흠이 나지 않도록 예방책으로서 보석 장식품은 벗는 편이 좋습니다.

805 D3와 804 D3 포장 안에 포함되어 있는 부속물을 상기 표에 나타냈습니다. 만약 부속물 중 포함되지 않은 것이 있다면 구입처에 문의하여 주시기 바랍니다.

2. 설치 위치

804 D3

	2
	8
	8
	2

스피커 그릴은 자력으로 부착됩니다. 미드레인지용 그릴을 다는 경우에는 그릴을 돌려 자력이 제일 강한 위치를 찾아내 거기에 맞추어 주십시오.

트위터 다이아프램은 손상되기 매우 쉽습니다. 800시리즈 다이아몬드에는 스틸 그릴 메쉬가 장착되어 있어 예상치 못한 손상으로부터 트위터를 보호합니다. 그러나 스피커를 다룰 때나 청소할 때는 주의해야 합니다.

환경 정보

본 제품은 다음을 포함한 국제 지침을 준수하고 있습니다.

- i. 전기전자제품에 대한 유해물질의 사용제한 (RoHS)
- ii. 화학물질관리제도 (REACH)
- iii. 폐전기전자제품처리지침 (WEEE)

포장재나 제품을 폐기할 경우 재활용 가능 자원의 분리 배출요령에 따라 수거하여 주십시오.

스피커 설치 - 벽걸이 사용 (805 D3 전용)

본 스피커는 전용 플로어 스탠드(FS-805 D3)에 설치하는 것을 전제로 설계되어 있습니다. 또는 선반 위에 설치가 가능하나 이 경우 스피커의 퍼포먼스에 영향을 끼칠 수 있습니다. 선반 위에 설치할 경우에는 폼 플러그를 사용하여 포트 퍼포먼스를 최대화할 것을 권장합니다.(미세 튜닝 참조)

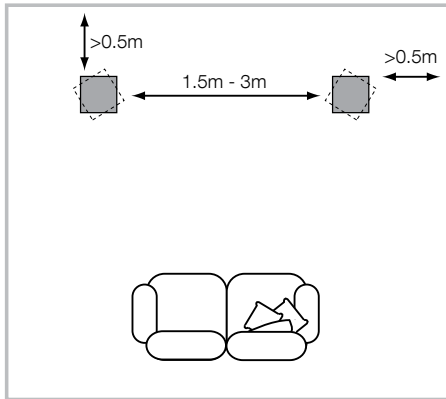
어떻게 설치하든지 트위터가 귀 높이와 거의 일치하도록 하십시오

주의: 선반 위에 설치할 경우 선반이 스피커 하중을 충분히 지지할 수 있어야 하며 4개의 점착 고무 패드를 스피커 바닥에 부착하여 주십시오.

FS-805 D3 또는 804 D3

FS-805 D3와 804 D3는 플로어 마운트로만 설치하도록 설계되어 있습니다. 가능한 한 부속 스파이크를 사용하여 바닥에 흔들리지 않게 세우는 것이 중요합니다.

스파이크는 플로어에 깔려 있는 카펫을 관통하여 바닥에 설치하도록 디자인되어 있습니다. 플로어에 스파이크가 닿았을 때 카펫 상부와 너트 사이가 충분히 유격되도록 스파이크의 잠금 너트를 돌리면서 조정하십시오. 스피커 받침의 나사 구멍에 스파이크가 완전히 들어가도록 돌려서 끼워 주십시오. 스파이크가 플로어에 닿았을 때 캐비닛이 흔들리면, 흔들림이 멈추고 캐비닛이 확실히 고정될 때까지 플로어에 닿지 않은 2개의 스파이크를 풀어 주십시오. 마지막으로 캐비닛 쪽으로 너트를 돌려 완전히 고정시키십시오. 스피커를 최적의 위치에 설치한 후 스파이크 높이를 조정하는 것이 좋습니다.



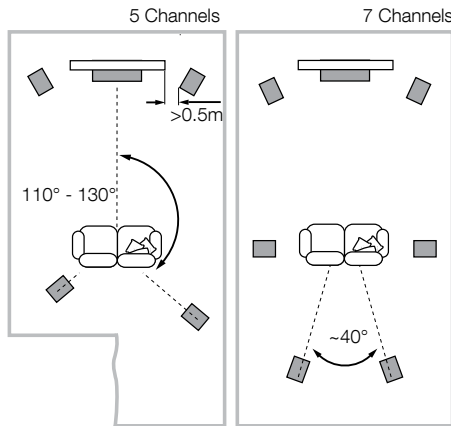
스피커를 설치하는 장소에 카페트가 깔려있지 않거나 플로어 표면을 손상시키지 않으려면 스파이크와 플로어 사이에 금속 보호 디스크(동전 등)를 사용하거나 부속의 고무 발받침을 사용하십시오. 고무 발받침을 끼운 후 스파이크를 설치할 때와 같은 방법으로 캐비닛의 높이를 맞추십시오.

스피커 설치 위치

스테레오 또는 홈씨어터 어느 경우에 있어서도 설치 환경은 스피커 각각의 음향 특성이 동일하게 되도록 하여야 합니다. 예를 들면 한 쪽 스피커는 노출된 벽에 근접하여 배치되어 있고 다른 한 쪽 스피커는 부드러운 가구나 커튼 근처에 배치되면 전체적인 음질과 스테레오 이미지의 양면에서 타협하는 모양이 되어 바람직하지 않습니다.

일반적인 스테레오 시스템

먼저 좌우 스피커의 간격을 1.5m ~ 3.0m 정도 유지시킨 후 좌우 스피커가 청취 위치를 정점으로 한 이등변 삼각형의 위치가 되도록 설치합니다. 스피커 뒷 벽면으로부터 약 0.5m, 좌우 벽면으로부터 0.5m 이상의 공간이 유지되도록 설치합니다. (위 그림)



홈씨어터 시스템

홈씨어터 시스템의 프론트 채널에 이 스피커를 사용할 경우, 서라운드 채널이 확대된 사운드 이미지를 만들려는 경향이 있으므로 2 채널 오디오 (스테레오 시스템)의 경우보다 좌우 스피커를 가깝게 설치하여 주십시오. 또 영상 이미지와 사운드 이미지의 스케일이 일치하도록 프론트 스피커는 스크린 가장자리에서 약 0.5m 이내에 설치하여 주십시오. 스피커 높이는 센터 스피커 높이와 스크린의 중심 사이에 위치하도록 하여 주십시오. 스테레오 설치 시와 동일하게 모든 벽면에서 0.5m 이상의 공간이 유지되도록 하는 것이 이상적입니다. 벽면에 가깝게 설치하면 저음이 강조됩니다. 이 위치에 설치하시고 싶다면 본 매뉴얼의 미세 튜닝에서 폼 플러그 사용 부분을 참조하십시오.

3. 연결

반드시 오디오 기기의 전원을 끈 상태에서 연결하십시오.

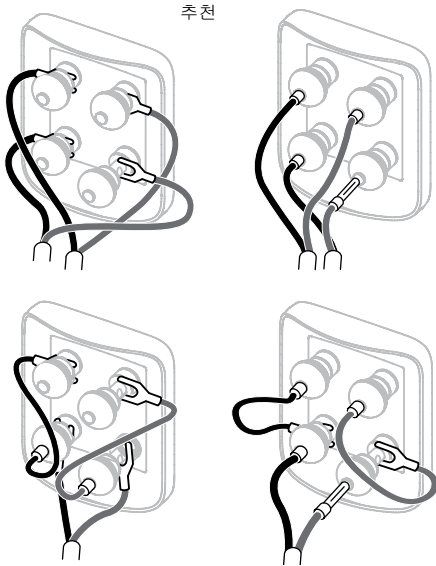
805 D3 및 804 D3 스피커 단자는 4mm 바나나 플러그, 6mm, 8mm 스페이드 그리고 4mm 구경의 나선까지 여러 가지로 단말 처리된 케이블을 연결할 수 있습니다.



중요한 안전상의 주의

한국과 유럽을 비롯한 일부 국가의 경우 4mm 바나나 플러그는 전원 콘센트 (차단 셔터가 없는)에 삽입될 수 있기 때문에 잠재적 안전 위험 요소로 간주되고 있습니다. 유럽 전기표준회의(CENELEC) 규정에 부합하기 위해 4mm 구경의 단자 홀은 플라스틱 핀으로 차단됩니다. 이와 같은 조건이 적용되는 국가에서 본 제품을 사용할 경우 바나나 플러그는 어린이나 사전 지식이 없는 사람들에게 위험을 줄 수 있기 때문에 사용할 수 없다는 것을 명시하십시오.

스피커 케이블을 선택하려면 구입처에 문의하여 주십시오. 총 임피던스는 스피커의 사양에서 추천되는 최대치보다 낮게 하고 저 임피던스 케이블을 사용하여 고역이 감소하지 않도록 하십시오.



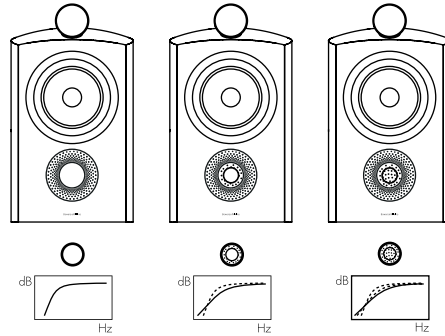
추천

스피커 후면에는 2쌍의 단자가 있어서 바이-와이어링 연결이 가능합니다. (위) 일반적인 싱글 와이어링 연결에서는 부속의 점퍼 케이블로 동일 극성의 단자를 연결하십시오. 바이-와이어링은 로우 레벨 디테일의 해상도를 향상시킬 수 있습니다.

스피커의 플러스 단자(적색)와 앰프의 플러스 출력 단자가, 스피커의 마이너스 단자(흑색)와 앰프의 마이너스 출력 단자가 올바르게 연결되었는지 확인하십시오. 연결이 올바르지 않을 경우 스피커가 손상되지는 않지만 스테레오 이미지가 흐려지고 저역이 손실될 수 있습니다. 단자 캡은 풀어지지 않도록 항상 꼭 조여 주십시오.

4. 미세 튜닝

805 D3

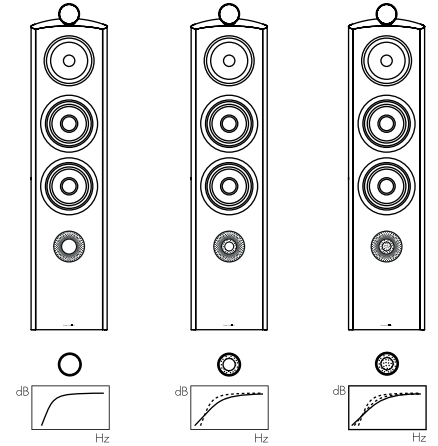


튜닝을 실시하기 전에 모든 연결 상태가 올바르게 안전한지 확인하십시오.

일반적으로 스피커를 벽에서 멀리 떼어 놓을수록 저음이 감소됩니다. 스피커 뒤쪽에 공간을 확보해야만 깊이 있는 음장감을 얻을 수 있습니다. 반대로 말하면 스피커를 벽에 가까이 설치하면 저음이 증가합니다. 벽과의 거리를 변경하지 않고 저음 양을 줄이고 싶다면 스피커의 베이스 포트에 폼 플러그를, 저음 양을 약간만 줄이려면 베이스 포트에 폼 링을 삽입해 보십시오. (위 그림)

혹시 저역 주파수가 고르지 않다고 느껴지면 이는 리스닝 룸의 공진 모드 때문일 가능성이 있습니다. 스피커의 위치 또는 감상 위치가 조금만 바뀌어도 이러한 공진의 영향이 개선될 수 있습니다. 감상 위치를 이동하거나 스피커를 다른 벽 쪽으로 옮겨 보십시오. 큰 가구의 위치가 공진 모드에 영향을 미칠 수 있습니다.

804 D3



센터 이미지가 뚜렷하지 않을 경우 좌우 스피커의 간격을 줄이거나 스피커의 설치각도를 청취 위치 앞에 맞추어 좀 더 안쪽으로 향하게 하면 개선될 수도 있습니다.

고음이 많아 소리가 밝게 들릴 경우에는 음을 흡수하는 부드러운 가구 등을 늘리면 (예를 들면 두꺼운 커튼을 사용하는 등) 사운드 밸런스를 조정하는데 도움이 됩니다. 반대로 음이 명료하지 않으면 이런 가구를 줄여 보십시오.

가장 샤프한 음으로 감상하시려면 저음, 중음 그릴을 제거하십시오. 그릴 가장자리를 잡은 후 부드럽게 당겨서 캐비닛으로부터 분리하십시오.

5. 길들이기

스피커의 성능은 초기 사용 기간 동안 미소하게 변화됩니다. 스피커를 차가운 곳에서 보관한 경우에는 드라이브 유닛의 땀팽재 및 서스펜션이 본래의 기계적 특성을 정상적으로 회복하기까지 일정 시간이 소요됩니다. 또한 드라이브 유닛 서스펜션도 처음 한 시간만 사용하면 부드러워집니다. 스피커가 본래의 성능을 회복하기까지 필요한 시간은 보관 조건이나 사용 상태 등에 따라 다릅니다. 스피커가 온도 영향을 받지 않고 안정되기까지는 최소 1주일이 걸리며, 기계적 부품들은 평균 15시간 정도 사용한 후에야 본래의 디자인 특성을 얻을 수 있습니다.

6. 관리

캐비닛 표면은 먼지만 닦으면 됩니다. 에어로졸이나 클리너를 사용할 경우에는 먼저 캐비닛에서 그릴을 조심스럽게 분리하십시오. 스프레이는 캐비닛에 직접 뿌리지 말고 부드러운 천에 뿌려 사용하십시오. 클리너가 스피커 표면에 손상을 주지 않는지 먼저 국부 테스트를 통해 확인하십시오. 연마성이 있거나 산, 알칼리, 향균제를 함유한 제품은 사용하지 마십시오. 드라이브 유닛 표면에는 클리너를 사용하지 마십시오. 드라이브 유닛은 손상될 위험이 있으므로 건드리지 않도록 각별히 주의하십시오.

리얼 우드로 마감되는 Bowers & Wilkins 스피커는 최상급 비니어를 엄선, UV를 차단하는 락커로 처리함으로써 오랜 시간이 흘러도 색상 변화가 최소화됩니다. 모든 자연 소재처럼 비니어도 환경에 따라 어느 정도 색상이 변화됩니다. 특히 그릴로 덮여있는 부분이나 그림자로 덮여 있던 부위는 다른 부위보다 색상 변화가 보다 서서히 진행되기 때문에 변색 효과를 쉽게 알 수 있습니다. 색상이 차이가 나게 되면 비니어 표면 전체를 노출시켜 색상이 같아질 때까지 고르게 햇빛을 쬐면 없어집니다. 이 과정은 수일 또는 수주가 걸릴 수도 있으나 UV 램프를 조심스럽게 사용하면 기간을 단축시킬 수 있습니다. 우드 비니어가 갈라지거나 트는 것을 방지하기 위해 라디에이터나 온풍기와 같이 열이 발생하는 기기 근처에는 설치하지 마십시오.

EU DECLARATION OF CONFORMITY

We,

B&W Group Ltd.

whose registered office is situated at

Dale Road, Worthing, West Sussex, BN11 2BH, United Kingdom

declare under our sole responsibility that the products:

805 D3 and 804 D3

comply with the EU Electro-Magnetic Compatibility (EMC) Directive 89/336/EEC,
in pursuance of which the following standards have been applied:

EN 61000-6-1 : 2007
EN 61000-6-3 : 2007
EN 55020 : 2007
EN 55013 : 2001

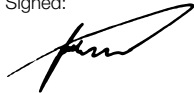
and comply with the EU General Product Safety 2001/95/EC, in pursuance of which the following
standard has been applied:

BS EN 60065:2002 + A12:2011

This declaration attests that the manufacturing process quality control and product documentation
accord with the need to assure continued compliance.

The attention of the user is drawn to any special measures regarding the use of this equipment that
may be detailed in the owner's manual.

Signed:



G Edwards
Executive Vice President, Operations
B&W Group Ltd.

Bowers & Wilkins

B&W Group Ltd
Dale Road
Worthing West Sussex
BN11 2BH England

T +44 (0) 1903 221 800
F +44 (0) 1903 221 801
info@bwgroup.com
www.bowers-wilkins.com

B&W Group (UK Sales)
T +44 (0) 1903 221 500
E uksales@bwgroup.com

B&W Group North America
T +1 978 664 2870
E marketing@bwgroupusa.com

B&W Group Asia Ltd
T +852 3 472 9300
E info@bwgroup.hk

Copyright © B&W Group Ltd. E&OE
Printed in England