

## Wireless Gateway, infiNET EX® Wireless and ER Wireless, International Version

The Crestron® [CENI-GWEXER](#) and [CENI-GWEXER-PWE](#) are 2-way RF wireless gateways designed to facilitate communication between Crestron wireless devices and a Crestron control system. The CENI-GWEXER and CENI-GWEXER-PWE create a wireless network that allows both infiNET EX® wireless devices and Crestron Extended Range (ER) devices to communicate with the control system through one wireless gateway.

The CENI-GWEXER and CENI-GWEXER-PWE are powered via PoE (Power over Ethernet) or with an optional power pack. The CENI-GWEXER-PWE model includes a Crestron PoE injector.

The CENI-GWEXER and CENI-GWEXER-PWE are functionally similar. For simplicity within this guide, the term "CENI-GWEXER" is used except where noted.



### In the Box

- 1 CENI-GWEXER or CENI-GWEXER-PWE, Wireless Gateway, infiNET EX® Wireless and ER Wireless, International Version

#### Additional Items

- 1 Bracket, Mounting, Integrated DIN Rail Clip (4519035)
- 1 Antenna, 2.4 GHz, 1/4 Wave, Reverse Polarity, Female (2001016)
- 1 Cable, Ethernet, CAT5e, 5 ft (1.52 m) (2022311)
- 2 Screw, 6-32 x 3/8 in., Pan Head, Phillips (2007225)

#### CENI-GWEXER-PWE Only

- 1 PoE Injector, PWE-4803RU (2001163)
- 1 Power Cord, 6 ft 7 in. (2 m) (2001134)



### Determine the Installation Location

Install the CENI-GWEXER in a location that will provide optimum performance. Consider the following when determining the installation location:

**NOTE:** For additional information, refer to the Best Practices for Installation and Setup of Crestron RF Products Reference Guide (Doc. 6689) at [www.crestron.com/manuals](http://www.crestron.com/manuals).

- Place the gateway at least 15 ft (4.6 m) from other infiNET EX gateways, Crestron ER gateways, or Wi-Fi® access points.
- Place multiple gateways on different RF channels.
- Place the gateway at least 6 ft (1.8 m) from the nearest Bluetooth® device.

## Wireless Gateway, infiNET EX® Wireless and ER Wireless, International Version



### Installation

Mount the CENI-GWEXER to a DIN rail or a wall. The CENI-GWEXER can also be rack mounted. Refer to the RMK-IFE-1U Installation Guide (Doc. 7627) at [www.crestron.com/manuals](http://www.crestron.com/manuals) for details. It can also be placed on any flat, level surface.

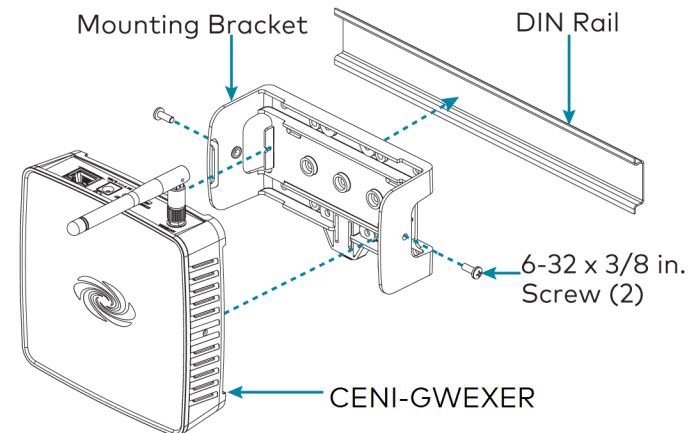
#### NOTES:

- This product must be installed and used in accordance with appropriate electrical codes and regulations.
- This product must be installed by a qualified electrician.

### DIN Rail Mount

1. Hang the mounting bracket on the top of the DIN rail and press the bottom toward the DIN rail until it snaps into place.
2. Insert the CENI-GWEXER into the mounting bracket until it snaps into place.
3. Secure the CENI-GWEXER to the mounting bracket. Insert a 6-32 x 3/8 in. screw into each side of the mounting bracket and tighten using a Phillips screwdriver.

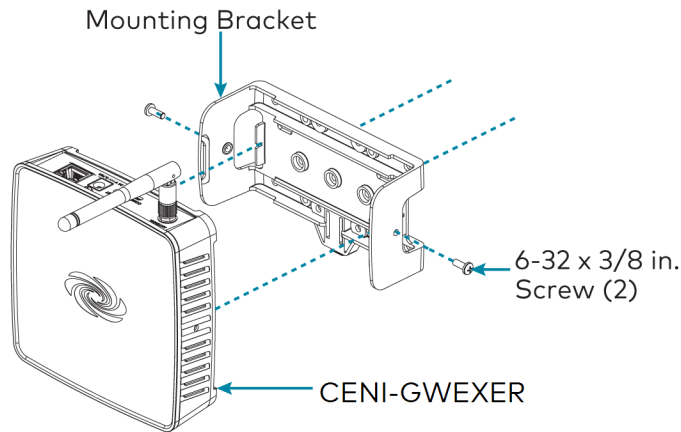
**NOTE:** Do not use the included screws to mount the bracket to the bottom of the CENI-GWEXER, as it will then not be possible to remove the device from the DIN rail.



## Wireless Gateway, infiNET EX® Wireless and ER Wireless, International Version

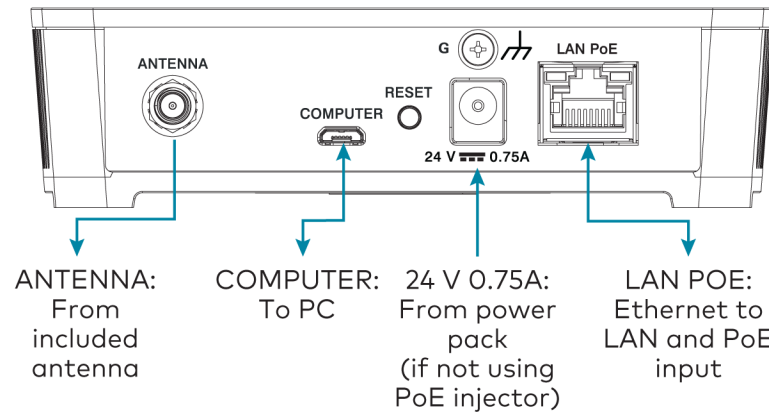
### Wall Mount

1. Secure the mounting bracket to a vertical, flat surface using screws that are appropriate for the mounting surface (not included).
2. Insert the CENI-GWEXER into the mounting bracket until it snaps into place.
3. Secure the CENI-GWEXER to the mounting bracket. Insert a 6-32 x 3/8 in. screw into each side of the mounting bracket and tighten using a Phillips screwdriver.



### Make Connections

Make the necessary connections for your application. Turn on power to the CENI-GWEXER after all connections have been made. Use Crestron power supplies for Crestron equipment.



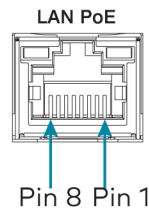
- When PoE is not available, supply power using a Crestron power supply such as a PW-2407WU (not included).
- When a Crestron PoE switch is available, connect the Ethernet cable directly to the PoE switch.
- When using a Crestron PoE injector:
  - Connect the CENI-GWEXER to the PoE injector:
    - Connect the CAT5e cable (supplied) to the LAN PoE port on the CENI-GWEXER.
    - Connect the other end of the CAT5e cable to the LAN PoE port on the PoE injector.

## Wireless Gateway, infiNET EX® Wireless and ER Wireless, International Version

- Connect the PoE injector to the LAN.
  - Connect a CAT5e cable (not included) to the LAN port on the PoE injector.
  - Connect the other end of the CAT5e cable to the LAN.
- Attach the AC power cord to the IEC 320 connector on the PoE injector and the other end into an active AC outlet.

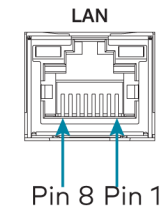
**NOTE:** Arrows denote internal pin assignments of the LAN PoE and LAN ports.

### LAN PoE Pin Assignment



Pin	Signal
1	Data Pair 1
2	Data Pair 1
3	Data Pair 2
4	+ VDC
5	+ VDC
6	Data Pair 2
7	- VDC
8	- VDC

### LAN Pin Assignment



Pin	Signal
1	Data Pair 1
2	Data Pair 1
3	Data Pair 2
4	No Connection
5	No Connection
6	Data Pair 2
7	No Connection
8	No Connection

### Connect the Antenna

Attach the antenna to the ANTENNA connector.

If necessary, extend the antenna using an ANT-EXT-10 Antenna Extender (sold separately).

## Wireless Gateway, infiNET EX® Wireless and ER Wireless, International Version



### Assign the RF Channel

**Functions** and then **infiNET EX Gateway**. Refer to the Crestron Toolbox software Help file for details.

**NOTE:** Arrows denote internal pin assignments of the LAN PoE and LAN ports.

Before use, assign an RF channel to the CENI-GWEXER. The CENI-GWEXER uses RF channels 11 through 26. Crestron recommends using RF channel 15 (default) or 20.

For optimum performance in a Wi-Fi environment, do not set the RF channel within a Wi-Fi channel band. Refer to the information below when choosing the RF channel in a Wi-Fi environment.

RF Channel(s)	Within Wi-Fi Channel	Adjacent to Wi-Fi Channel
11 - 14	1	-
15 (Default)	-	1, 6
16 - 19	6	-
20	-	6, 11
21 - 24	11	-
25	-	11
26	-	-

**NOTE:** Remember the following when pairing infiNET EX and ER devices:

- infiNET EX devices automatically set their RF channel assignment to match the channel of the gateway.
- ER devices must have their RF channel manually assigned to match the channel of the gateway.

Use the EasyConfig tool in Crestron Toolbox™ software to assign the RF channel. In the "EasyConfig" window for the wireless gateway, select

## Wireless Gateway, infiNET EX® Wireless and ER Wireless, International Version



### Acquire Devices to the Gateway

The CENI-GWEXER allows Crestron infiNET EX and ER wireless devices to communicate with a wired control system. To facilitate the communication, the infiNET EX or ER wireless devices must be acquired to a gateway that is in the system.

Crestron infiNET EX and ER devices can communicate with a CENI-GWEXER after they have been acquired. A device can be acquired to only one gateway. Acquire mode can be activated using Crestron Toolbox software or the **ACQUIRE** button on the front panel.

#### NOTE:

- Use Crestron Toolbox software to set the RF channel before starting the acquire process. The default RF channel is 15.
- ER devices must be configured to match the channel setting on the gateway.
- Wait 15 seconds after powering up the CENI-GWEXER before entering Acquire mode.
- In an environment with multiple gateways, only one gateway should be in Acquire mode at a time.
- The CENI-GWEXER must be placed in Acquire mode before the device is placed in Acquire mode.

To acquire an infiNET EX or ER device via the **ACQUIRE** button on the CENI-GWEXER, perform the following procedure:

1. Press **ACQUIRE** on the CENI-GWEXER to enter Acquire mode. The **ACQUIRE** LED lights to indicate that the unit is ready to acquire infiNET EX and ER devices.

**NOTE:** Acquire mode automatically deactivates after 1 hour. Use Crestron Toolbox software to change the timeout period.

2. Bring the infiNET EX or ER device within range of the gateway, and place it in Acquire mode as described in its manual. Once it enters Acquire mode, the device will be acquired within 2 minutes.
3. Repeat step 2 for each infiNET EX or ER device that needs to be acquired.
4. Press **ACQUIRE** on the CENI-GWEXER to exit Acquire mode. The **ACQUIRE** LED turns off.

## Wireless Gateway, infiNET EX® Wireless and ER Wireless, International Version



### Visit the Product Page

Scan the QR code to visit the product page.

#### CENI-GWEXER



[www.crestron.com/model/6507505](http://www.crestron.com/model/6507505)

#### CENI-GWEXER-PWE



[www.crestron.com/model/6507506](http://www.crestron.com/model/6507506)

### Additional Information

#### Original Instructions

The U.S. English version of this document is the original instructions. All other languages are a translation of the original instructions.

Crestron product development software is licensed to Crestron dealers and Crestron Service Providers (CSPs) under a limited nonexclusive, nontransferable Software Development Tools License Agreement. Crestron product operating system software is licensed to Crestron dealers, CSPs, and end-users under a separate End-User License Agreement. Both of these Agreements can be found on the Crestron website at [www.crestron.com/legal/software\\_license\\_agreement](http://www.crestron.com/legal/software_license_agreement).

The product warranty can be found at [www.crestron.com/warranty](http://www.crestron.com/warranty).

The specific patents that cover Crestron products are listed at [www.crestron.com/legal/patents](http://www.crestron.com/legal/patents).

Certain Crestron products contain open source software. For specific information, visit [www.crestron.com/opensource](http://www.crestron.com/opensource).

Crestron, the Crestron logo, Crestron Toolbox, infiNET EX and the infiNET EX logo are either trademarks or registered trademarks of Crestron Electronics, Inc. in the United States and/or other countries. Bluetooth is either a trademark or registered trademark of Bluetooth SIG, Inc. in the United States and/or other countries. Wi-Fi is either a trademark or registered trademark of Wi-Fi Alliance in the United States and/or other countries. Other trademarks, registered trademarks, and trade names may be used in this document to refer to either the entities claiming the marks and names or their products. Crestron disclaims any proprietary interest in the marks and names of others. Crestron is not responsible for errors in typography or photography.

©2020 Crestron Electronics, Inc.

Doc. 7769D

02/25/20