

EGOTERIC

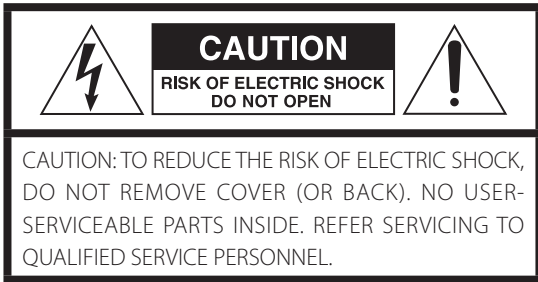
Grandioso C7X *Linestage Preamplifier*

OWNER'S MANUAL..... 3

MODE D'EMPLOI..... 29

MANUAL DEL USUARIO..... 55

IMPORTANT SAFETY INSTRUCTIONS



The lightning flash with arrowhead symbol, within an equilateral triangle, is intended to alert the user to the presence of uninsulated "dangerous voltage" within the product's enclosure that may be of sufficient magnitude to constitute a risk of electric shock to persons.



The exclamation point within an equilateral triangle is intended to alert the user to the presence of important operating and maintenance (servicing) instructions in the literature accompanying the appliance.

WARNING: TO PREVENT FIRE OR SHOCK HAZARD, DO NOT EXPOSE THIS APPLIANCE TO RAIN OR MOISTURE.

CAUTION

- DO NOT REMOVE THE EXTERNAL CASES OR CABINETS TO EXPOSE THE ELECTRONICS. NO USER SERVICEABLE PARTS ARE INSIDE.
- IF YOU ARE EXPERIENCING PROBLEMS WITH THIS PRODUCT, CONTACT THE STORE WHERE YOU PURCHASED THE UNIT FOR A SERVICE REFERRAL. DO NOT USE THE PRODUCT UNTIL IT HAS BEEN REPAIRED.
- USE OF CONTROLS OR ADJUSTMENTS OR PERFORMANCE OF PROCEDURES OTHER THAN THOSE SPECIFIED HEREIN MAY RESULT IN HAZARDOUS RADIATION EXPOSURE.

- 1) Read these instructions.
- 2) Keep these instructions.
- 3) Heed all warnings.
- 4) Follow all instructions.
- 5) Do not use this apparatus near water.
- 6) Clean only with dry cloth.
- 7) Do not block any ventilation openings. Install in accordance with the manufacturer's instructions.
- 8) Do not install near any heat sources such as radiators, heat registers, stoves, or other apparatus (including amplifiers) that produce heat.
- 9) Do not defeat the safety purpose of the polarized or grounding-type plug. A polarized plug has two blades with one wider than the other. A grounding type plug has two blades and a third grounding prong. The wide blade or the third prong are provided for your safety. If the provided plug does not fit into your outlet, consult an electrician for replacement of the obsolete outlet.
- 10) Protect the power cord from being walked on or pinched particularly at plugs, convenience receptacles, and the point where they exit from the apparatus.

11) Only use attachments/accessories specified by the manufacturer.

12) Use only with the cart, stand, tripod, bracket, or table specified by the manufacturer, or sold with the apparatus. When a cart is used, use caution when moving the cart/apparatus combination to avoid injury from tip-over.



13) Unplug this apparatus during lightning storms or when unused for long periods of time.

14) Refer all servicing to qualified service personnel. Servicing is required when the apparatus has been damaged in any way, such as power-supply cord or plug is damaged, liquid has been spilled or objects have fallen into the apparatus, the apparatus has been exposed to rain or moisture, does not operate normally, or has been dropped.

- The apparatus draws nominal non-operating power from the AC outlet with its POWER or STANDBY/ON switch not in the ON position.
- The mains plug is used as the disconnect device; the disconnect device shall remain readily operable.
- Caution should be taken when using earphones or headphones with the product because excessive sound pressure (volume) from earphones or headphones can cause hearing loss.

WARNING

Products with Class **I** construction are equipped with a power supply cord that has a grounding plug. The cord of such a product must be plugged into an AC outlet that has a protective grounding connection.

IN USA/CANADA, USE ONLY ON 120V SUPPLY.

CAUTION

- Do not expose this apparatus to drips or splashes.
- Do not place any objects filled with liquids, such as vases, on the apparatus.
- Do not install this apparatus in a confined space such as a book case or similar unit.
- The apparatus should be located close enough to the AC outlet so that you can easily reach the power cord plug at any time.
- If the product uses batteries (including a battery pack or installed batteries), they should not be exposed to sunshine, fire or excessive heat.
- CAUTION for products that use replaceable lithium batteries: there is danger of explosion if a battery is replaced with an incorrect type of battery. Replace only with the same or equivalent type.

IMPORTANT SAFETY INSTRUCTIONS (continued)

Precautions concerning batteries

Misuse of batteries could cause them to rupture or leak leading to fire, injury or the staining of nearby things. Please read and observe the following precautions carefully.

- Be sure to insert the batteries with correct positive (⊕) and negative (⊖) orientations.
- Use batteries of the same type. Never use different types of batteries together.
- If the remote control is not used for a long time (more than a month), remove the batteries to prevent them from leaking.
- If the batteries leak, wipe away the leakage inside the battery compartment and replace the batteries with new ones.
- Do not use batteries of types other than those specified. Do not mix new batteries with old ones or use different types of batteries together.
- Do not heat or disassemble batteries. Never throw batteries into fire or water.
- Do not carry or store batteries with other metallic objects. The batteries could short circuit, leak or explode.
- Never recharge a battery unless it is confirmed to be a rechargeable type.
- Do not expose batteries to extremely low air pressure as it could result in an explosion or leakage of flammable liquids or gases.

Supplier's Declaration of Conformity

Model number: Grandioso C1X

Trade name: ESOTERIC

Responsible party: 11 Trading Company, LLC

Address: 3502 Woodview Trace #200 Indianapolis, IN 46268 U.S.A.

URL: <https://11tradingcompany.com/contact-us/>

This device complies with Part.15 of FCC Rules.

Operation is subject to the following two conditions:

- 1) This device may not cause harmful interference
- 2) This device must accept any interference received, including interference that may cause undesired operation.

Information

This equipment has been tested and found to comply with the limits for a Class B digital device, pursuant to Part 15 of the FCC Rules. These limits are designed to provide reasonable protection against harmful interference in a residential installation. This equipment generates, uses, and can radiate radio frequency energy and, if not installed and used in accordance with the instructions, may cause harmful interference to radio communications. However, there is no guarantee that interference will not occur in a particular installation. If this equipment does cause harmful interference to radio or television reception, which can be determined by turning the equipment off and on, the user is encouraged to try to correct the interference by one or more of the following measures:

- Reorient or relocate the equipment and/or the receiving antenna.
- Increase the separation between the equipment and receiver.
- Connect the equipment into an outlet on a circuit different from that to which the receiver is connected.
- Consult the dealer or an experienced radio/TV technician for help.

CAUTION

Changes or modifications not expressly approved by the party responsible for compliance could void the user's authority to operate the equipment.

Model for Canada

Innovation, Science and Economic Development Canada's

Compliance Statement:

This Class B digital apparatus complies with Canadian ICES-003.

Model for Europe



This product complies with the European Directives request, and the other Commission Regulations.




Model for UK

This product complies with the applicable UK regulations.



For European Customers

Disposal of electrical and electronic equipment and batteries and/or accumulators

- a) All electrical/electronic equipment and waste batteries/accumulators should be disposed of separately from the municipal waste stream via collection facilities designated by the government or local authorities.
- b) By disposing of electrical/electronic equipment and waste batteries/accumulators correctly, you will help save valuable resources and prevent any potential negative effects on human health and the environment.
- c) Improper disposal of waste electrical/electronic equipment and batteries/accumulators can have serious effects on the environment and human health because of the presence of hazardous substances in the equipment.
- d) The Waste Electrical and Electronic Equipment (WEEE) symbols, which show wheeled bins that have been crossed out, indicate that electrical/electronic equipment and batteries/accumulators must be collected and disposed of separately from household waste.  
If a battery or accumulator contains more than the specified values of lead (Pb), mercury (Hg), and/or cadmium (Cd) as defined in the Battery Directive (2006/66/EC, 2013/56/EU), then the chemical symbols **Pb, Hg, Cd**  for those elements will be indicated beneath the WEEE symbol.
- e) Return and collection systems are available to end users. For more detailed information about the disposal of old electrical/electronic equipment and waste batteries/accumulators, please contact your city office, waste disposal service or the shop where you purchased the equipment.

ESOTERIC is a trademark of TEAC CORPORATION, registered in the U.S. and other countries.

Other company names, product names and logos in this document are the trademarks or registered trademarks of their respective owners.

Contents

Thank you for purchasing this ESOTERIC product.

Read this manual carefully to get the best performance from this product. After reading it, keep it in a safe place with the warranty card for future reference.

IMPORTANT SAFETY INSTRUCTIONS	3
Before use	7
Included accessories	7
Note about pinpoint feet	7
Precautions for use	7
Connections (main unit)	8
Connections (power supply unit)	10
Connecting using ES-LINK Analog	12
ES-LINK Analog overview	12
Connecting source devices using ES-LINK Analog	12
Connecting to a power amplifier using ES-LINK Analog	12
Main unit parts and functions	13
Power supply unit parts and functions	14
Notes about the remote control	15
Remote control parts and functions	16
Basic operation	17
Putting the Grandioso C1X into standby	18
Dimmer	18
Muting the output	18
Settings	19
Basic operation	19
MENU 1	20
Left and right balance setting	20
Output level	20
Input source name	20
MENU 2	21
Volume mode	21
Fade-in/out time	21
Mute level setting	21
Automatic display darkening setting	21
Automatic power saving function	21
Illumination	22
Knob illumination brightness setting	22
CPU operation stopped status display	22
Open Settings Menu 3	22
MENU 3	23
Input connector operation mode	23
Through output	23
Remote control input (RS-232C) connector setting	24
Trigger signal output setting	24
Restoring factory settings	24
F/W ** **	24
Troubleshooting	25
Maintenance	25
Specifications	26
Dimensional drawings	27
Main unit	27
Foot placement diagram	27
Power supply unit	28
Foot placement diagram	28

Included accessories

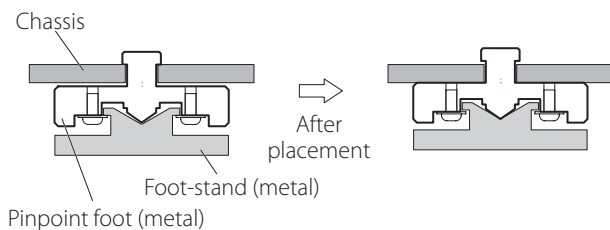
Check to be sure the box includes all the supplied accessories shown below. Please contact the store where you purchased this product if any of these accessories are missing or have been damaged during transportation.

- Power cords × 2
- DC power cords × 2
- Remote control (RC-1334) × 1
- Batteries for remote control (AA) × 2
- Felt pads × 8
- Owner's manual (this document) × 1
- Warranty card × 1

Note about pinpoint feet

High-precision metal pinpoint feet are attached to the bottom plates of the main and power supply units.

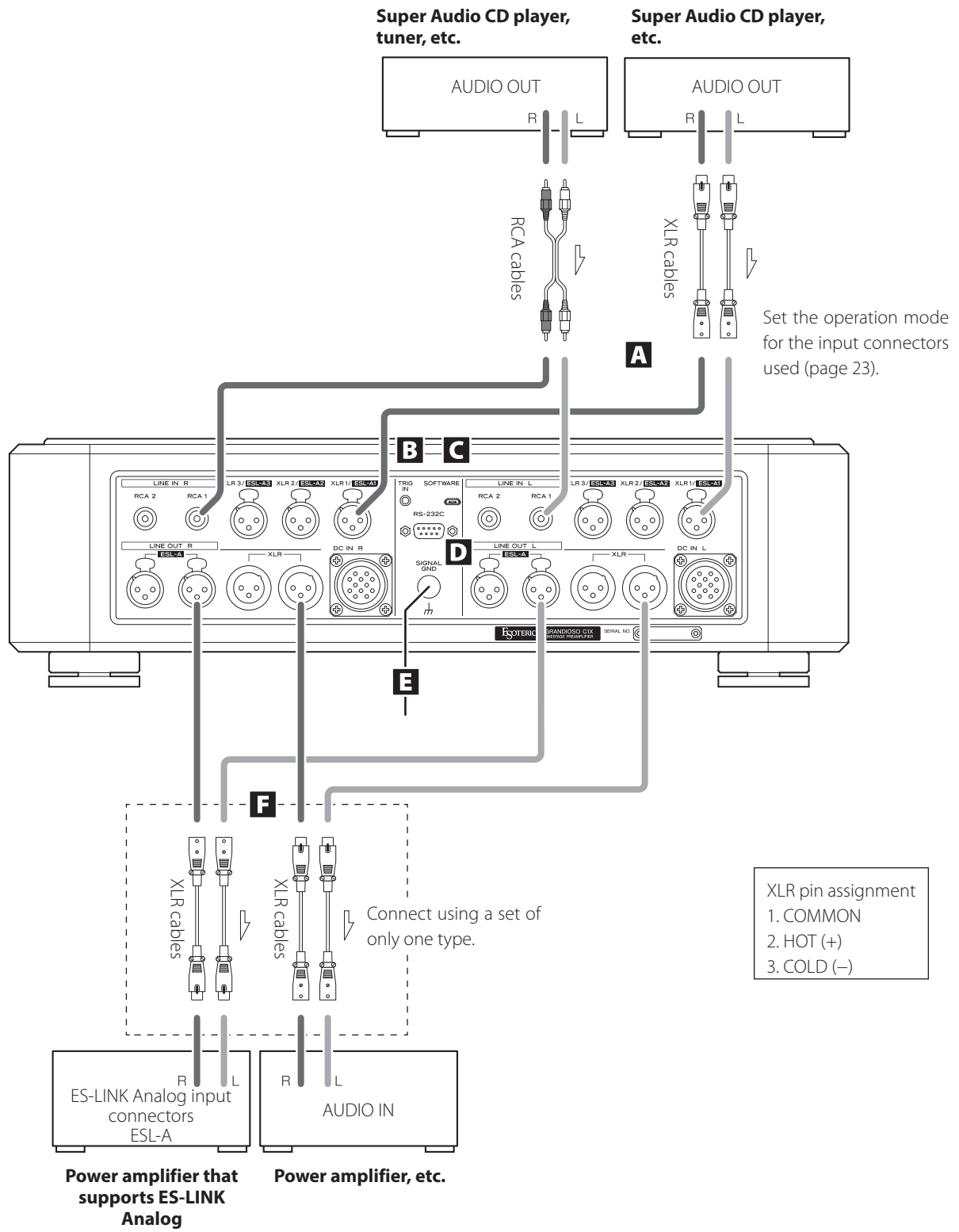
The pinpoint feet and their stands are loose, but the stands support the units when they are placed, effectively dispersing vibrations.



- If there is a gap between a chassis and a pinpoint foot after placement, turn the pinpoint foot in the direction that tightens the screw to eliminate the gap.
- Apply the included felt pads to the bottoms of the foot-stands to avoid scratching the surface where the units are placed.
- These units are very heavy, so take care to avoid injury during installation.

- Do not install these units in locations that could become hot. This includes places that are exposed to direct sunlight or near a radiator, heater, stove or other heating equipment. Moreover, do not place them on top of amplifiers or other equipment that generates heat. Doing so could cause discoloration or deformation.
- Avoid locations that are subject to vibrations or exposed to excessive dust, cold or moisture.
- In order to enable good heat dissipation, leave at least 20 cm (8") between these units and walls and other equipment when installing them.
If you put them in a rack, take precautions to prevent overheating by leaving at least 5 cm (2") open above and 10 cm (4") open behind them. Failure to provide these gaps could cause heat to build up inside and result in fire.
- Do not install these units face up or on their sides.
- Place these units in stable locations near the audio system that will be used with them.
- Do not put cloth on top of these units or place them on bedding or thick carpet.
- Do not place anything, not even CDs, CD-Rs, LP records or cassette tapes, on top of these units.
- Supply voltage to the power supply unit that matches the voltage as printed on its back. If you are in any doubt regarding this matter, consult an electrician.
- Do not move the units during use.
- Do not open the bodies of the units as doing so might result in damage to the circuitry or cause electric shock. If a foreign object should get into a unit, contact your dealer.
- When removing each power plug from an outlet, always pull directly on the plug. Never pull on the cord itself.

Connections (main unit)



A Analog input (LINE IN) connectors

Connect the analog output connectors of Super Audio CD players, DVD players, cassette decks, tuners and other equipment to these connectors.

Connect the R connector of a pair on this unit to the right (R) connector of an output device and the L connector of the same pair on this unit to the left (L) connector of the output device.

XLR/ESL-A: balanced XLR cables

Insert balanced XLR plugs until the connector levers lock. Press these levers and pull the plugs out to disconnect.

RCA: RCA cables

Connect the white pin plugs to the white (L) connectors and connect the red pin plugs to the red (R) connectors.

- This unit does not have a phono equalizer, so record players cannot be connected to it directly.
To use a record player with this unit, connect it through a phono equalizer, for example.
- Use commercially-available cables for connections.

B Trigger input (TRIG IN) connector

Use this connector to control power from an external source. Do not connect anything to this connector when not using it.

C SOFTWARE maintenance port

This is used for maintenance. Do not connect anything to this port unless instructed to do so by our service department.

D Remote control input (RS-232C) connector

This control connector is for use by professionals (custom installers).

E SIGNAL GND grounding terminal

Using a commercially-available sheathed wire to connect this to the grounding terminal of a Super Audio CD player, power amplifier or other device might improve the audio quality.

- This is not a safety grounding terminal.

F Analog output (LINE OUT) connectors

These output 2-channel analog audio.

Connect these to the analog input connectors of a power amplifier, for example.

Connect the R connector of a pair on this unit to the right (R) connector of an input device and the L connector of the same pair on this unit to the left (L) connector of the input device.

XLR/ESL-A: balanced XLR cables

Insert balanced XLR plugs until the connector levers lock.

- Use commercially-available cables for connections.
- In each pair, both XLR connectors output the same signals. Both connectors can be connected to power amplifiers, for example. The same is also true for the ESL-A connectors.

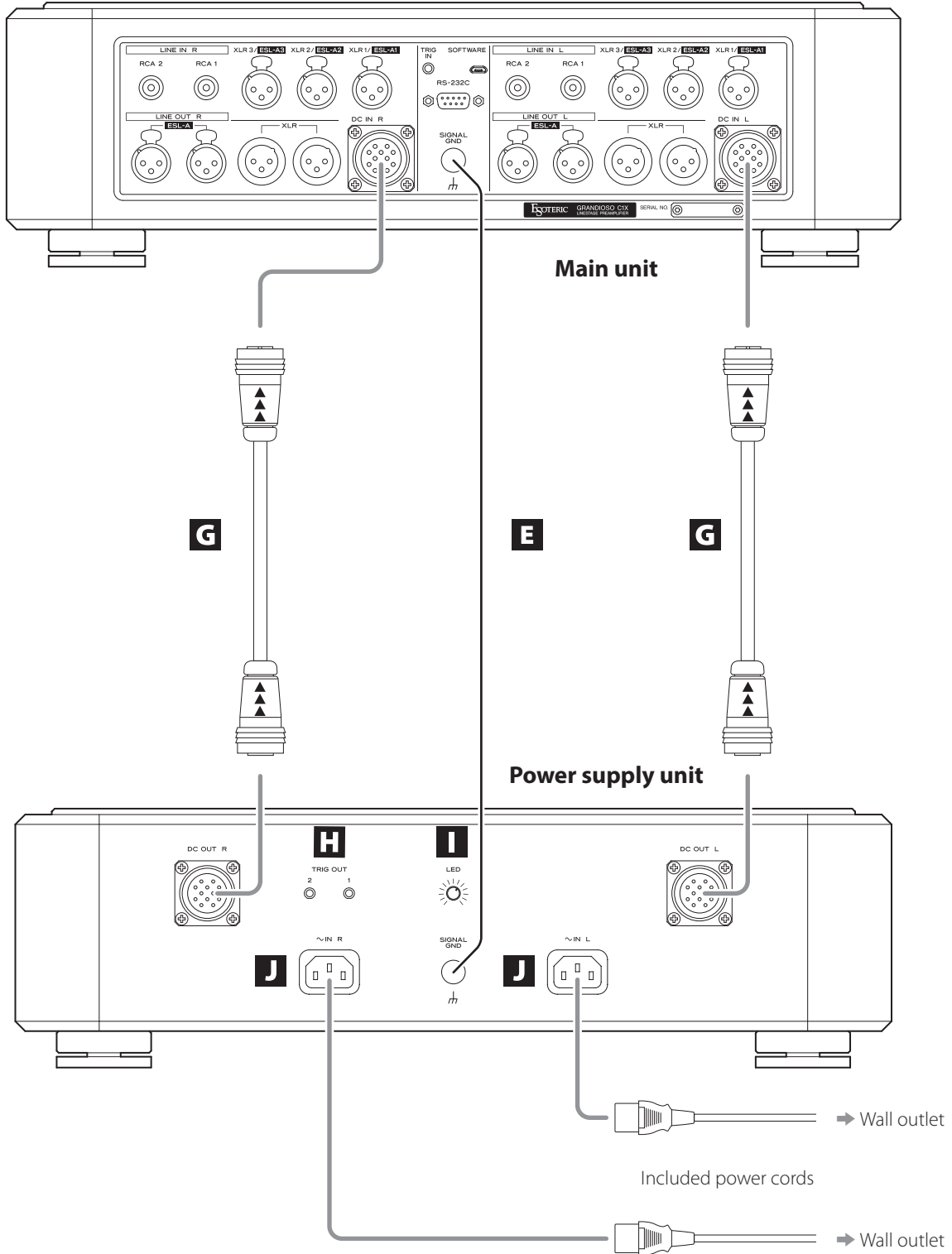
ATTENTION

The ESL-A output connectors of this unit are female-type connectors to prevent accidental connection with XLR output connectors.

Connections (power supply unit)

Precautions when making connections

- Complete all other connections before connecting power plugs to power outlets.
- Read the owner's manuals of all devices that will be connected, and follow their instructions.

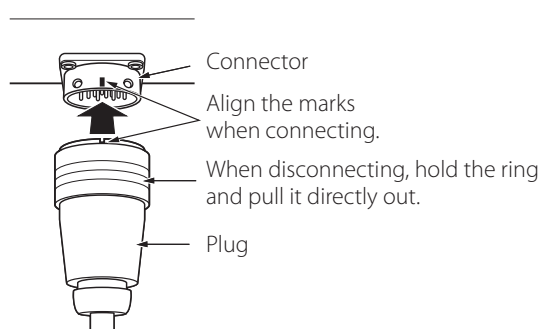


G DC power input/output connectors (DC IN/DC OUT)

Use the 2 included DC (direct current) power cords to connect the DC power input (DC IN) connectors of the main unit with the DC power output (DC OUT) connectors of the power supply unit.

DC OUT L → DC IN L
DC OUT R → DC IN R

- Power cords connected to AC inlets should always be unplugged from outlets before DC (direct current) power cords are connected or disconnected.
- The DC power cords have arrows printed on them. Connect them so that the arrows point in the direction shown in the illustration on page 10.
Check the orientation of the pins and the arrows of each DC power cord and hold it by its plug. Align the marks on the plug and the connector and push it in completely until it clicks into place. When disconnecting, hold the ring and pull it straight out. When connecting or disconnecting power cords, do not angle or wiggle the plugs.
- Be careful not to pinch your fingers in the ring when connecting or disconnecting a DC power cord.



⚠ **Never connect these to anything other than a Grandioso C1X main unit. Doing so could cause damage.**

H Trigger output (TRIG OUT) connectors

These output trigger signals linked to power operations of this product.

Do not connect anything to these connectors when not using them.

- To use these connectors, the TRIG_O trigger signal output setting must be set to ON.

I LED brightness adjustment knob

Turn to adjust the brightness of the power indicator.

J AC power inlets (~IN)

Connect the included AC power cords to these AC inlets. After completing all other connections, plug the power plugs into power outlets.

⚠ **Use only genuine ESOTERIC power cords. Use of other power cords could result in fire or electric shock.**

⚠ **Disconnect the power plugs from the outlets if you will not use the Grandioso C1X for a long time.**

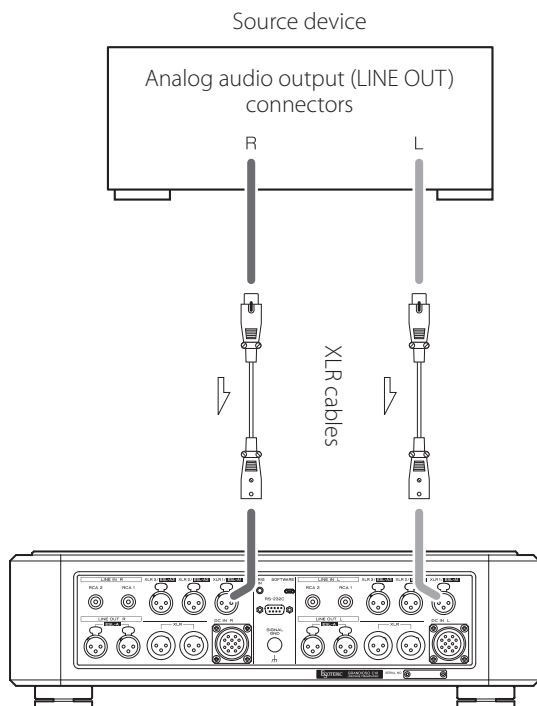
Connecting using ES-LINK Analog

ES-LINK Analog overview

The current transmission method utilizes the performance of HCLD buffer circuits that feature the ability to supply strong current at high speed. This suppresses the impact of impedance on signal paths, enabling pure and powerful transmission of signals.

- Ordinary balanced cables (with XLR connectors) are used for connection. These connectors can only be used with compatible devices, however, because the transmission format is unique.

Connecting source devices using ES-LINK Analog



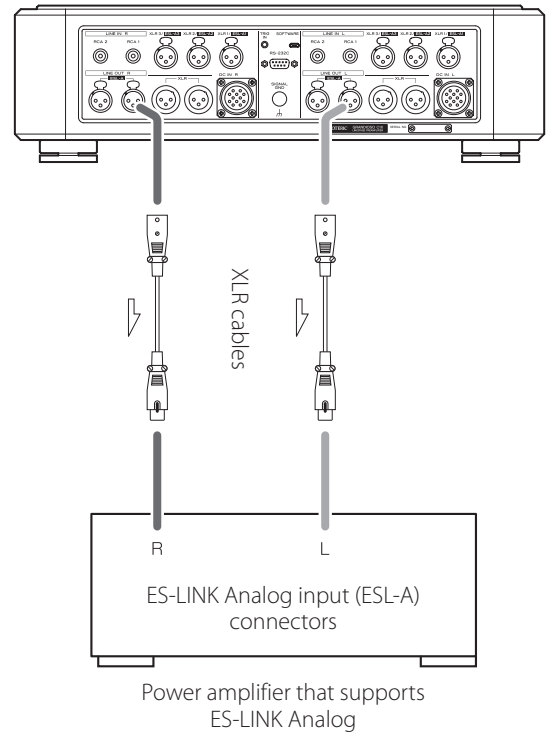
ATTENTION

Set the analog output setting to ESLA on the source device before connecting it.

Use XLR cables to connect the analog audio output (XLR/ESL-A) connectors on the source device to the analog audio input (ESL-A) connectors on this unit.

- Set the operation mode to ESLA for the input connectors on this unit that are connected to the source device (page 23).
- You can also connect using XLR or RCA connectors. Select the connection type that provides the audio quality you prefer.

Connecting to a power amplifier using ES-LINK Analog

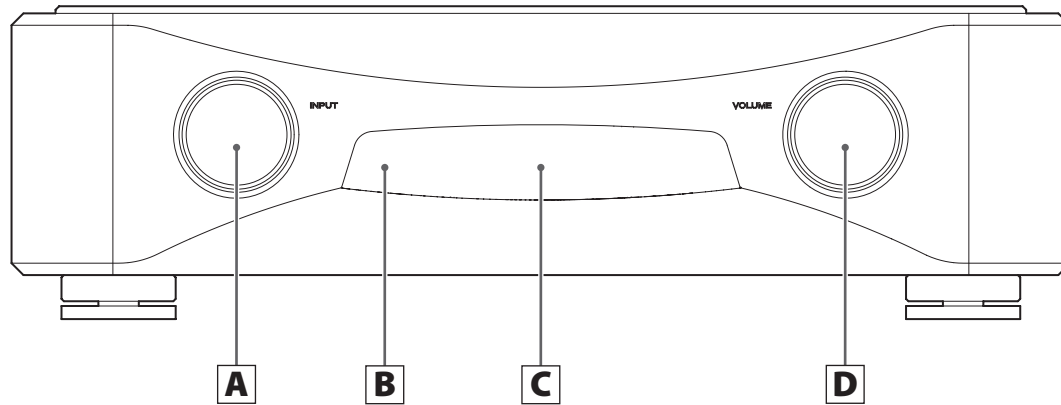


Use XLR cables to connect the analog audio output (ESL-A) connectors on this unit to the ES-LINK Analog input (ESL-A) connectors on the power amplifier.

- Set the power amplifier input selector to ESLA.
- No setting is necessary on this unit.

ATTENTION

The ESL-A output connectors of this unit are female-type connectors to prevent accidental connection with XLR output connectors.



A INPUT knob

Turn this knob to select the active input. Select the connector that is connected to the device you want to play.

- You can change the names that are shown on the display for the connectors (page 20).

B Remote control signal receiver

This receives signals from the remote control. When using the remote control, point the end of it toward this receiver panel (page 15).

C Display

This shows the current input source name, volume, setting items, etc.

D VOLUME knob

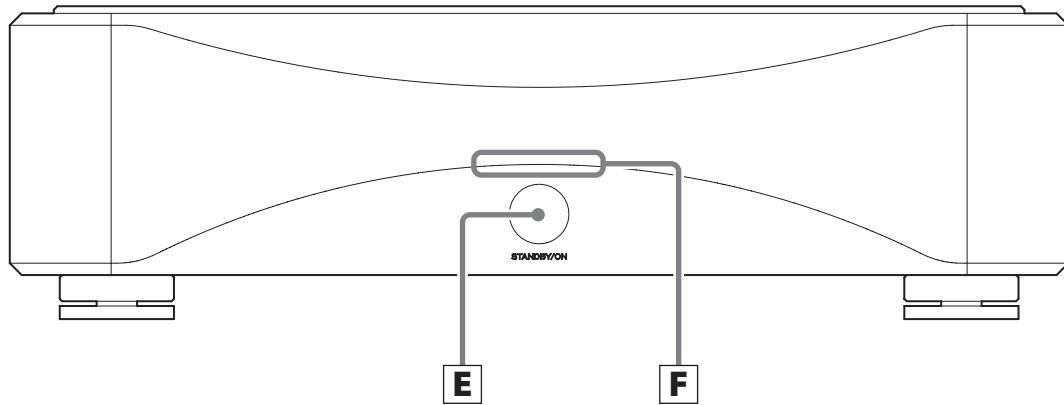
Use to adjust the volume.

Turn this knob clockwise to increase the volume and counter-clockwise to decrease it.

- When "THRU" appears on the display, the volume cannot be adjusted on this unit (page 23).

⚠ Sudden loud noises might cause hearing damage and other trouble. Always minimize the volume before starting playback, and adjust it to an appropriate level after playback begins.

Power supply unit parts and functions



E STANDBY/ON button

Press to turn the Grandioso C1X on or put it into standby mode.

F Power indicator

This lights when the unit is on.

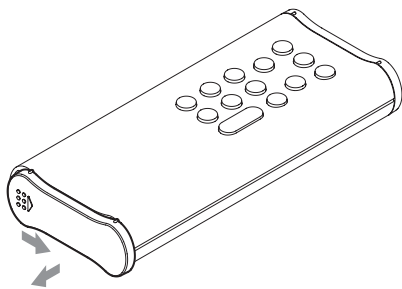
Notes about the remote control

Precautions when using the remote control

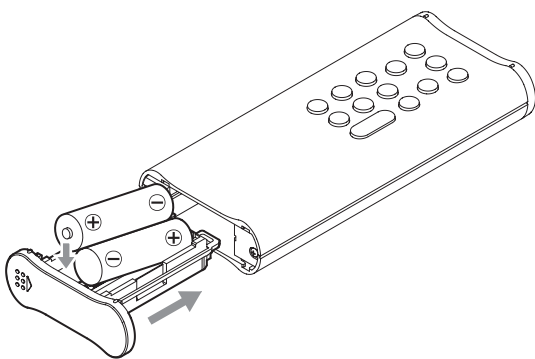
- When using the remote control, point it toward the remote control signal receiver on the main unit from a distance of 7 m (23 ft) or less. Do not place obstructions between the main unit and the remote control.
- The remote control might not work if the remote control signal receiver is exposed to direct sunlight or bright light.
- Beware that use of this remote control could cause the unintentional operation of other devices that can be controlled by infrared rays.

Installing batteries

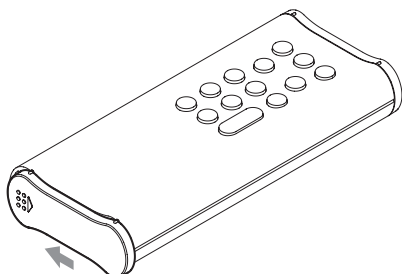
- 1** Slide the bottom end of the remote control as shown in the illustration, and pull out the battery holder.



- 2** Insert two AA batteries with \oplus and \ominus oriented as shown in the holder, and put the holder in again.



- 3** Slide the bottom end of the remote control as shown in the illustration to close the battery holder.



When to replace batteries

If the distance required between the remote and the main unit decreases or if the main unit stops responding to the remote buttons, replace both batteries with new ones.

Dispose of the used batteries according to the instructions on them or requirements set by your local municipality.

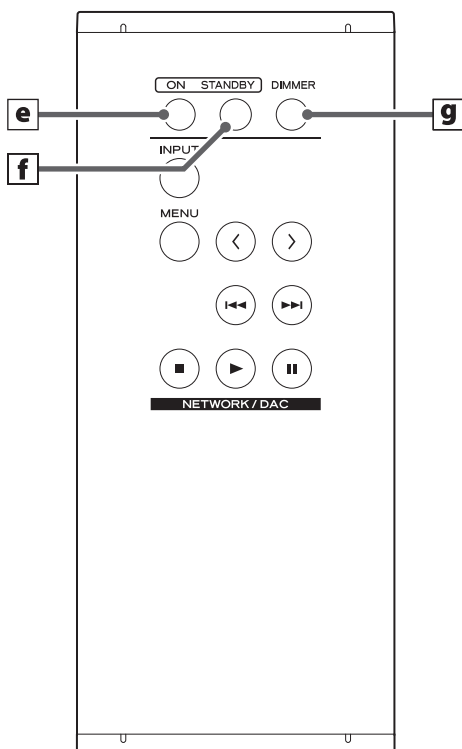
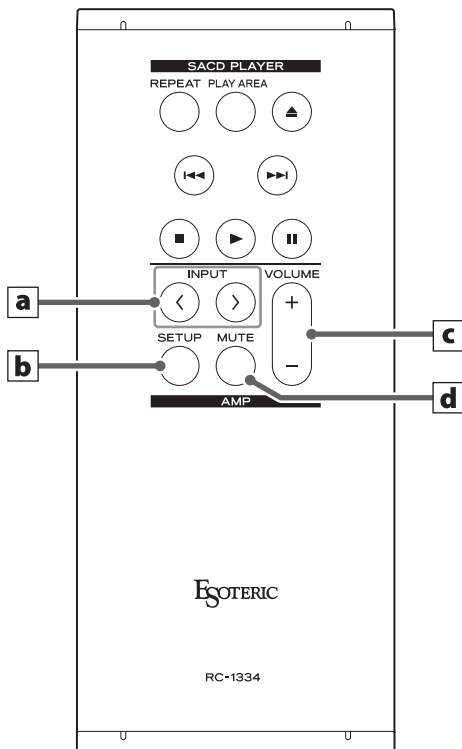


Precautions concerning batteries

Misuse of batteries could cause them to rupture or leak, which might result in fire, injury or the staining of nearby materials.

Please read and observe the precautions on page 4 carefully.

Remote control parts and functions



a INPUT (</>) buttons

Use to switch between input sources. Select the connector that is connected to the device you want to play.

When a settings menu is open, use these to change setting values.

When inputting a source name, use these to select characters (page 20).

b SETUP button

Use with MENU 1, MENU 2 and MENU 3 (page 19).

When inputting a source name, use this to move the cursor left (page 20).

c VOLUME (+/-) buttons

Use to adjust the volume. Press the + button to increase the volume and the – button to decrease it.

- When “THRU” appears on the display, the volume cannot be adjusted on this remote control (page 23).
- Press when in setting mode to complete changing settings and show the ordinary display (page 19).

d MUTE button

Press this button to temporarily mute the sound. Press again to restore the volume setting.

When inputting a source name, use this to move the cursor right (page 20).

- When muted, “MUTE” blinks on the screen.

e ON button

Press to turn the Grandioso C1X on.

f STANDBY button

Press to put the Grandioso C1X into standby mode.

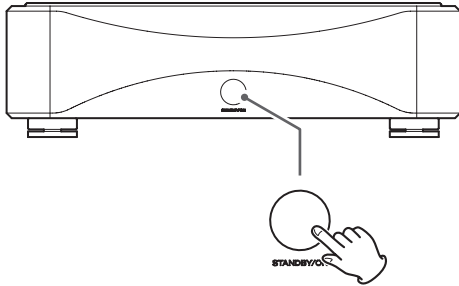
g DIMMER button

Use to adjust the brightness of the main unit’s display (page 18).

- The buttons not explained here do not function with the Grandioso C1X.
- This remote control can also be used for other ESOTERIC products.

1 Turn on an input source device connected to the main unit.

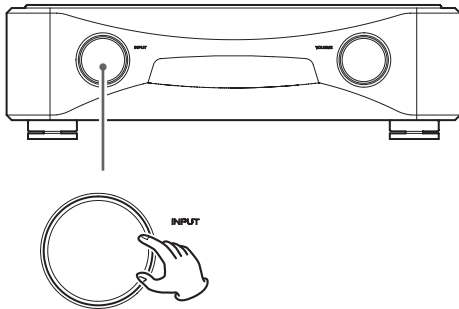
2 Press the **STANDBY/ON** button to turn the Grandioso C1X on.



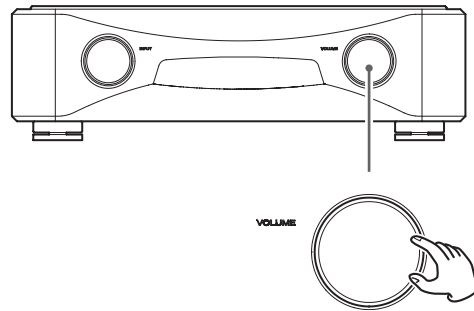
When on, the power indicator and the display light.

- Turn on the power amplifier after turning on the Grandioso C1X.

3 Turn the **INPUT** knob to select an input source.



4 Play the source, and then adjust the volume.



! Sudden loud noises might cause hearing damage and other trouble. Always minimize the volume before starting playback, and adjust it to an appropriate level after playback begins.

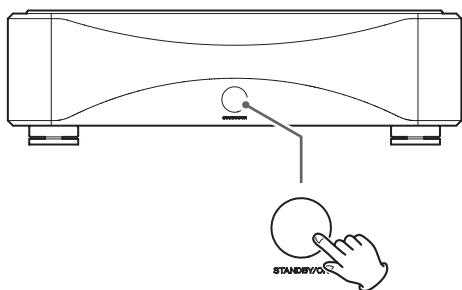
Putting the Grandioso C1X into standby

There might be noise from the speakers if the unit is turned off suddenly. Follow the steps below to put the unit into standby.

1 If a connected device is playing back, stop playback.

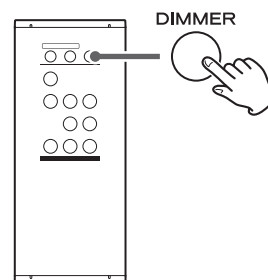
2 Turn the power amplifier off.

3 Press the **STANDBY/ON** button to put the Grandioso C1X into standby mode.

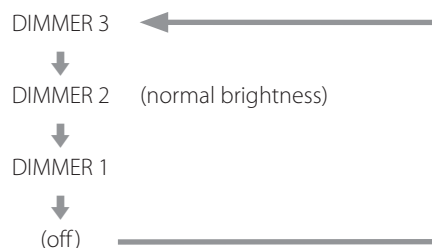


4 Turn off the connected input source device.

Dimmer

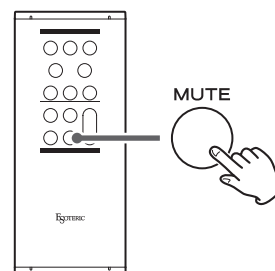


Use this to adjust the brightness of the main unit's display.



- Even when the dimmer is off, the display will light at normal brightness for a few seconds when you press a button or turn a knob.
- Even when set to DIMMER 1 or off, setting menus and error messages will be shown with normal brightness (DIMMER 2).
- Pressing and holding the button will set the brightness to DIMMER 2 (normal brightness).

Muting the output



Press the MUTE button to temporarily mute the sound. Press again to restore the volume setting.

- When muted, "MUTE" blinks on the screen.
- You can also restore the sound by pressing the VOLUME buttons (+/-) or by turning the VOLUME knob.

Basic operation

The settings for this unit are divided into three groups: MENU 1, MENU 2 and MENU 3.

MENU 1, MENU 2 or MENU 3 will be shown depending on how the SETUP button is pressed.

In MENU 1, settings can be made independently for each of the input connectors.

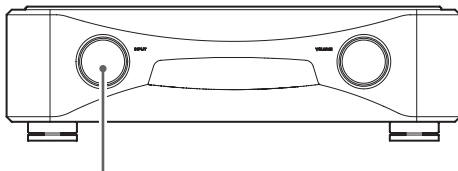
In MENU 2, settings can be made for the display and the unit as a whole.

In MENU 3, settings can be made related to amplifier operation.

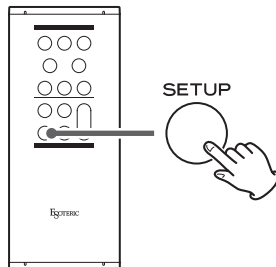
1 Open a settings menu.

Opening MENU 1

- 1) Turn the INPUT knob to select the input source you want to set.



- 2) Press the SETUP button to show MENU 1.



Opening MENU 2

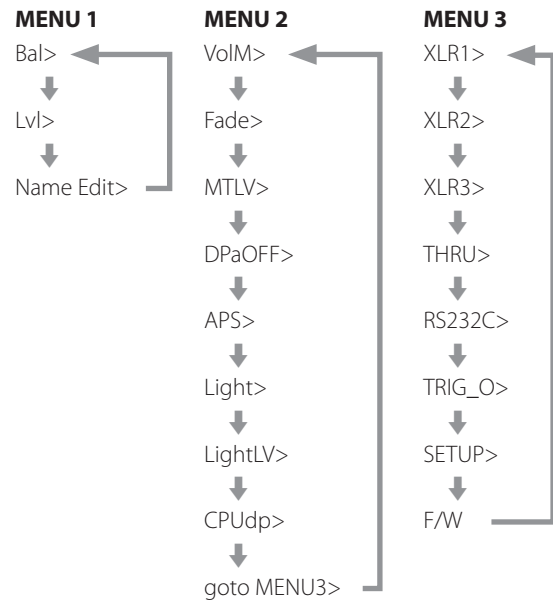
Press and hold the SETUP button.

Opening MENU 3

In MENU 2, select "goto MENU 3" and press and hold the SETUP button.

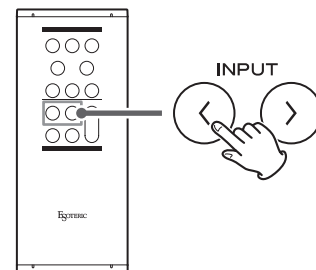
- While making settings, MENU 1, MENU 2 or MENU 3 appears at the top left of the display.

2 Press the SETUP button repeatedly to select the setting item to change.

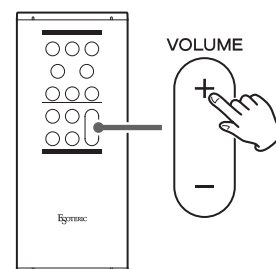


3 Use the INPUT (</>) buttons to change the setting.

The INPUT knob on the main unit can also be used to change the setting.



4 Press the VOLUME (+/-) button to end making settings.



Setting mode will also end and the display will return to normal if nothing is done for ten seconds.

- Settings are retained even if the power plugs are disconnected.

Left and right balance setting

Bal>***

Adjust the balance between the left and right output channels. This can be set to values between L 6.0 dB and R 6.0 dB in 0.1dB increments. This can also be set so that just one channel is muted.

- By default, the setting is 0.0 dB (no balance adjustment).

Muting just one channel

Press the > button to select "Bal>R only" to output only the right channel.

Likewise, press the < button to select "Bal>L only" to output only the left channel.

Output level

Lvl>***

Adjust the output level for the selected input connector type. This can be set to values between -18.0 dB and +18.0 dB in 0.1dB increments.

- By default, the setting is 0.0 dB.

Note about settings and sound quality

Bal (left-right balance) and Lvl (output level) are both settings related to volume. This unit's microcomputer comprehensively analyzes these settings and the volume setting to conduct unified control with a volume control amplifier in one place.

For this reason, unlike ordinary amplifiers that pass audio signals through multiple circuits, these settings will not degrade the audio quality.

Input source name

Name Edit>***

The names shown on the display when the input source is changed can be set as you like (up to five characters).

Changing input source names

1) Press and hold the SETUP button when Name Edit is shown.

2) Enter the characters.

The character being input and the cursor appear alternately. Use the INPUT (</>) buttons or the main unit's INPUT knob to select characters.

3) Move the cursor.

Press the MUTE button to move the cursor right or the SETUP button to move the cursor left.

4) When finished with input, press and hold the SETUP button.

- While entering the name, the volume and input cannot be changed.
- Available characters
English letters: A-Z, a-z
Numbers: 0-9
Symbols: ! " # \$ % & ' () * + , - . / \ : ; < = > ? @ (blank)
- Using blank spaces for all five characters will clear the input source name.

Volume mode

VoIM>***

This sets how the volume is adjusted.

- By default, the setting is dB1.
- +12 dB using the dB1 setting is the same volume as 0.0 dB using the dB2–dB4 settings.

STEP

Volume adjustment is shown as a value from 0.0 to 99.9.

dB1

The volume can be set to $-\infty$ or from -99.9 to $+12.0$ dB and is shown in dB units.

dB2

The volume can be set to $-\infty$ or from -99.9 to 0.0 dB and is shown in dB units.

dB3

The volume can be set to $-\infty$ or from -79.9 to 0.0 dB and is shown in dB units.

dB4

The volume can be set to $-\infty$ or from -59.9 to 0.0 dB and is shown in dB units.

Fade-in/out time

Fade>***

The fade-in/out time used when muting and unmuting becomes longer in order from TM1 to TM3.

- By default, the setting is TM2.

Mute level setting

MTLV>***

This sets the volume when it is muted.

- By default, the setting is $-\infty$ dB.

$-\infty$ dB

The volume becomes $-\infty$ dB when muted.

-20dB

The volume is reduced 20 dB from the set level when muted.

Automatic display darkening setting

DPaOFF>***

Use this to set the display to darken automatically.

- By default, the setting is OFF.

ON

If no operation is conducted for ten minutes, the display automatically turns off.

DIM

If no operation is conducted for ten minutes, the display will dim to DIMMER 1 brightness.

OFF

Automatic display darkening will not occur.

- If the display is left on with the same indication for a long time, brightness irregularities can occur. For this reason, we recommend that you set the automatic display darkening function to ON.

Automatic power saving function

APS>***

If there is no audio input (continuous silence) from the selected input source for the set amount of time, the unit will enter standby mode automatically.

- By default, the setting is OFF.
- Audio input from input sources other than the one selected has no effect on the operation of the automatic power saving function.

30m

30 minutes

60m

60 minutes

90m

90 minutes

120m

120 minutes

OFF

The automatic power saving function is disabled.

Illumination

Light>***

How the rings around the INPUT and VOLUME knobs light can be set.

- By default, the setting is AUTO.

AUTO

When the knobs are operated, their rings light.

ON

The rings around the knobs are always lit.

OFF

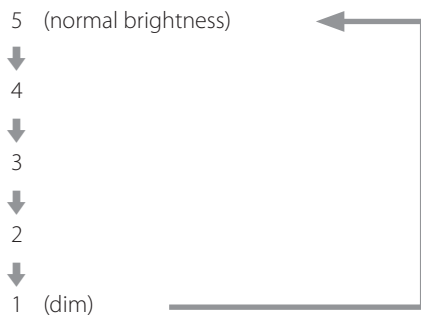
The rings around the knobs are always unlit.

Knob illumination brightness setting

LightV>***

The brightness of the illumination around the knobs can be set.

- By default, the setting is 5.



CPU operation stopped status display

CPUdp>***

- By default, the setting is ON.

OFF

CPU operation stopped status will not be shown.

ON

“CPU off” will be shown when operation of the CPU that controls this product stops. When the input knob, volume knob or remote control is operated, operation will resume to control the product. When done, it will automatically stop operating again.

- If the APS function is not set to OFF, in order to check the operation status and measure the time, the CPU will not enter operation stopped mode.
- When DPaOFF is set to ON, the CPU will not enter operation stopped mode while the time is being measured until the display is turned off automatically.
- When the RS232C external control setting is ON, the CPU will not enter operation stopped mode because it is waiting to receive external control.
- When the illumination setting (Light>) is ON, the CPU will not enter operation stopped mode because it is constantly adjusting the brightness.

Open Settings Menu 3

goto MENU3

Press and hold the SETUP button to open MENU 3.

Input connector operation mode

XLR1>***

XLR2>***

XLR3>***

Set the operation mode of the input connector.

- By default, the setting is XLR.

XLR

Select this when using normal balanced connection.

ESLA

Select this when using ES-LINK Analog connection.

Through output

THRU>***

Set whether to use the input connectors as signal through connectors.

- By default, the setting is OFF.

OFF

No through inputs are set.

XLR1 (ESLA1)

XLR2 (ESLA2)

XLR3 (ESLA3)

RCA1

RCA2

Output will occur without volume adjustment by this unit.



If you select inputs connected to an ordinary line-level device, signals that are too strong could be output to the speakers, resulting in damage to them.

“THRU” appears on the display instead of the volume level set by using the VOLUME knob.

For example, if you connect the pre-out connectors (for example, FRONT L/R) of an AV amplifier to this unit’s RCA 2 connectors, and set RCA2 to THRU, you can use the speakers connected to this unit as the front speakers of the AV amplifier. (The AV amplifier controls volume adjustment when the input source is set to “RCA2”.)

- The volume cannot be adjusted for input connectors set to THRU, but fine adjustments can be made using Bal and Lvl settings.



Always connect a device that has a volume control to the input connectors set to THRU. Use that device to minimize the volume before switching the input source, and then gradually raise the volume level.

Remote control input (RS-232C) connector setting

RS232C>***

Set this to ON only when using the remote control input (RS-232C) connector.

- By default, the setting is OFF.

OFF

The remote control input (RS-232C) connector cannot be used.

ON

The remote control input (RS-232C) connector can be used.

Trigger signal output setting

TRIG_O>***

- By default, the setting is OFF.

OFF

Do not output trigger signals.

ON

Output trigger signals.

Restoring factory settings

SETUP>***

Use to restore the factory default settings, erasing all changes in memory.

Follow the procedures below to initialize the settings.

- 1) Use the INPUT (</>) buttons to show "CLR".
- 2) While "CLR" is shown, press and hold the SETUP button.

F/W **.**

This shows the firmware version.

"**.**" is the version.

Troubleshooting

If you experience a problem with this product, please take a moment to review the following information before requesting service. Moreover, the problem might be caused by something other than this product. Please also check the operation of the connected units. If this product still does not operate correctly, contact the retailer where you purchased it.

The Grandioso C1X does not turn on.

- ➔ Insert the power plugs into outlets.

Standby mode starts automatically.

- ➔ The automatic power saving function is operating to put the unit into standby.
Press the power supply unit STANDBY/ON button or the remote control ON button to turn the power on.
Change the automatic power saving setting if necessary (page 21).

Remote control does not work.

- ➔ Press the power supply unit STANDBY/ON button or the remote control ON button to turn the power on.
- ➔ If the batteries are exhausted, replace both of them with new ones (page 15).
- ➔ The remote control will not work if there are obstructions between it and the main unit. Point the remote control toward the main unit and use it within 7 m (23 ft) of the front panel (page 15).

A television or other device is operating improperly.

- ➔ The use of this product's remote control might cause some televisions with wireless remote control functions to operate incorrectly.

VOLUME knob does not work.

- ➔ When "THRU" appears on the display, the volume cannot be adjusted on this unit (page 23).
Change the through output setting as necessary.

"CHK POWER!" appears on the display.

- ➔ Confirm that all 4 power and DC power cords are properly connected (pages 10 and 11).

Since the Grandioso C1X uses a microcontroller, external noise and other interference can cause it to malfunction. If this occurs, put the unit into standby mode, disconnect the power cords from the outlets, and wait about one minute before restarting operation from the beginning.

Maintenance

Use a soft dry cloth to wipe the surfaces of the units clean. For stubborn smudges, use a damp cloth that has been thoroughly wrung out to remove excess moisture.

- Never spray liquid directly on these units.
- Do not wipe with chemical cleaning cloths, thinner or other chemical agents. Doing so could damage the surfaces of the units.
- Avoid allowing rubber or plastic materials to touch the units for long periods of time, because they could damage the cabinets.



For safety, disconnect the power plugs from the outlets before wiping the units.

Note about condensation

If this product is brought from a cold outdoor environment into a warm room, or the heater has just been turned on in the room where it is located, for example, condensation might occur on operating parts, resulting in improper operation. If this occurs, leave the product on and wait one to two hours. This should enable normal playback.

Specifications

Analog inputs

Connectors

XLR/ESL-A	3 pairs (L/R)
RCA	2 pairs (L/R)

Input impedance

XLR	50 k Ω
RCA	68 k Ω

Input sensitivity..... 500 mV (at rated output)

Maximum permissible input voltage..... 12 V

Analog outputs

Connectors

XLR	2 pairs (L/R)
ESL-A	2 pairs (L/R)

Output impedance..... 30 Ω

Using XLR input and output

Total harmonic distortion..... 0.00035%

Frequency response..... 1 Hz – 150 kHz (–3.0 dB)

S/N ratio..... 120 dB (2V input, A-weight)

Gain..... +12 dB

Rated output..... 2 V

Maximum output level..... 17 V (1 kHz, 0.003%)

External control

RS-232C..... 1

Trigger input (TRIG IN)..... 1

Connector..... 3.5mm mono mini jack

Input level..... 12 V, 2 mA

Trigger output (TRIG OUT)..... 2

Connector..... 3.5mm mono mini jack

Output level..... 12 V, 100 mA max (total for 2)

General

Power supply

Model for Europe..... AC 220–240 V, 50/60 Hz

Model for USA/Canada..... AC 120 V, 60 Hz

Model for Korea..... AC 220 V, 60 Hz

Power consumption..... 15 W (L)/15 W (R)

In standby

Remote control input (RS-232C) connector setting OFF
0.5 W or less

Remote control input (RS-232C) connector setting ON
0.8 W or less

External dimensions (W × H × D, including protrusions)

Main unit..... 445 × 132 × 449 mm (17 5/8" × 5 1/4" × 17 3/4")

Power supply unit..... 445 × 132 × 452 mm (17 5/8" × 5 1/4" × 17 7/8")

Weight

Main unit..... 20.2 kg (44 5/8 lb)

Power supply unit..... 29.0 kg (64 lb)

Operating temperature..... +5°C to +35°C

Included accessories

Power cords × 2

DC power cords × 2

Remote control (RC-1334) × 1

Batteries for remote control (AA) × 2

Felt pads × 8

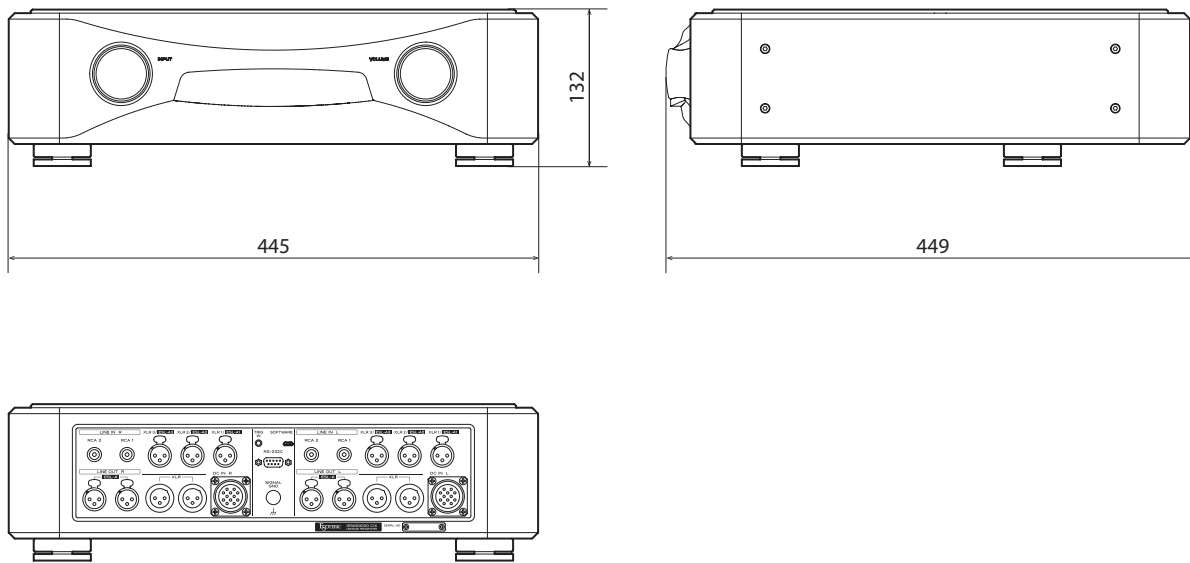
Owner's manual (this document) × 1

Warranty card × 1

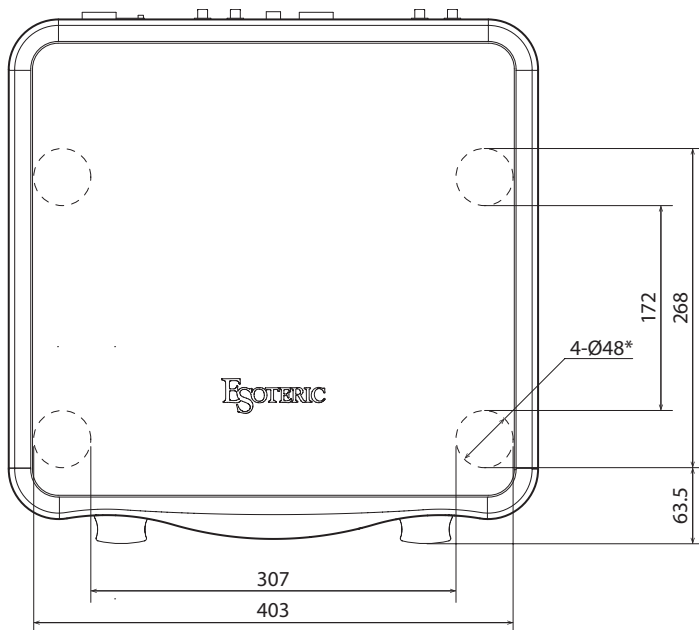
- Specifications and appearance are subject to change without notice.
- Weight and dimensions are approximate.
- Illustrations in this Owner's Manual might differ slightly from production models.

Dimensional drawings

Main unit



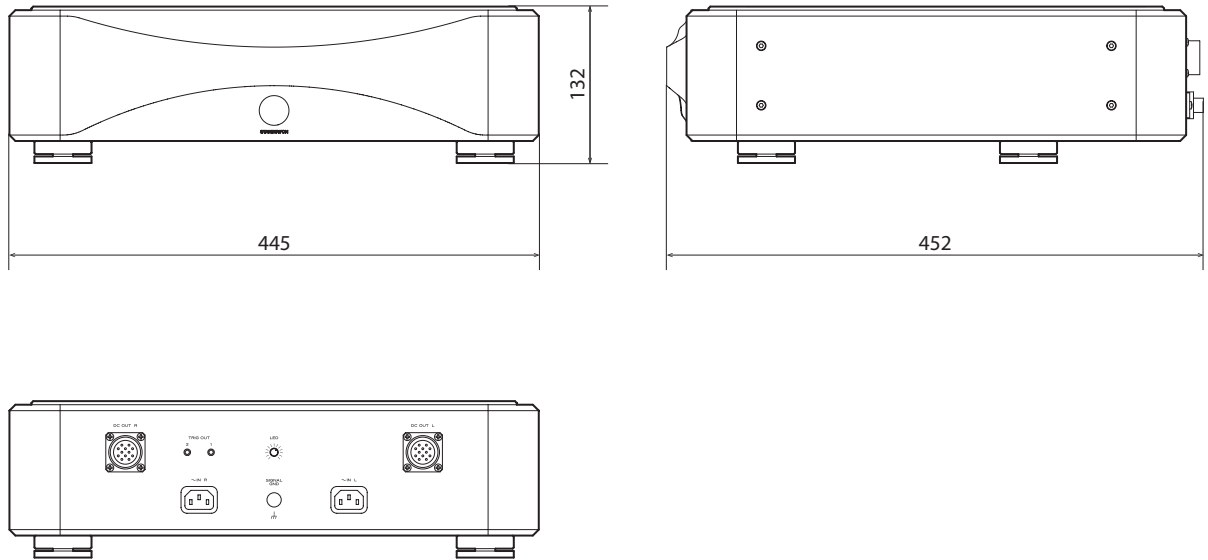
Foot placement diagram



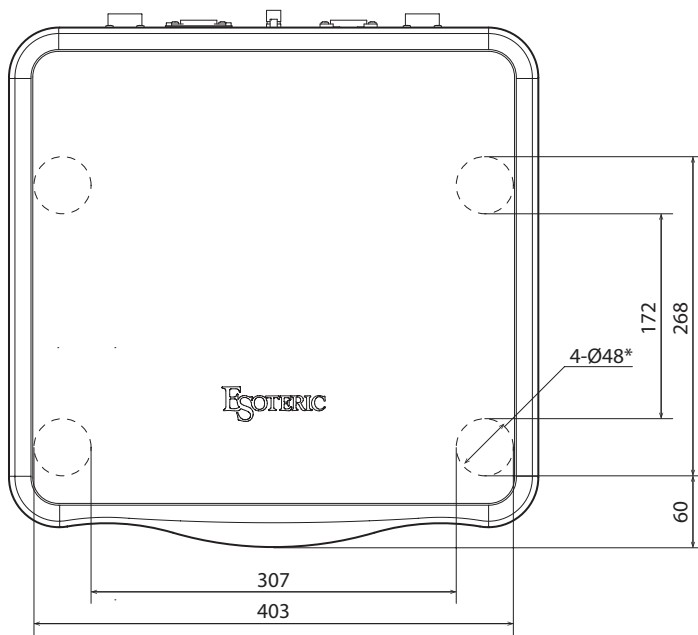
Dimensions in millimeters (mm)
*48mm diameter feet x 4

Dimensional drawings (continued)

Power supply unit



Foot placement diagram



Dimensions in millimeters (mm)
*48mm diameter feet x 4

INSTRUCTIONS DE SÉCURITÉ IMPORTANTES



Le symbole d'éclair à tête de flèche dans un triangle équilatéral sert à prévenir l'utilisateur de la présence dans l'enceinte du produit d'une « tension dangereuse » non isolée d'une grandeur suffisante pour constituer un risque d'électrocution pour les personnes.



Le point d'exclamation dans un triangle équilatéral sert à prévenir l'utilisateur de la présence d'instructions importantes de fonctionnement et de maintenance (entretien) dans les documents accompagnant l'appareil.

AVERTISSEMENT : POUR PRÉVENIR LES RISQUES D'INCENDIE ET D'ÉLECTROCUTION, N'EXPOSEZ PAS CET APPAREIL À LA PLUIE NI À L'HUMIDITÉ.

ATTENTION

- NE RETIREZ PAS LES CAPOTS EXTERNES OU BOÎTIERS POUR EXPOSER L'ÉLECTRONIQUE. AUCUNE PIÈCE INTERNE N'EST RÉPARABLE PAR L'UTILISATEUR.
- SI VOUS RENCONTREZ DES PROBLÈMES AVEC CE PRODUIT, CONTACTEZ LE MAGASIN OÙ VOUS AVEZ ACHETÉ L'UNITÉ. N'UTILISEZ PAS LE PRODUIT TANT QU'IL N'A PAS ÉTÉ RÉPARÉ.
- L'UTILISATION DE COMMANDES, DE RÉGLAGES OU LE SUIVI DE PROCÉDURES AUTRES QUE CE QUI EST DÉCRIT DANS CE DOCUMENT PEUT PROVOQUER UNE EXPOSITION À UN RAYONNEMENT DANGEREUX.

- 1) Lisez ces instructions.
- 2) Conservez ces instructions.
- 3) Tenez compte de tous les avertissements.
- 4) Suivez toutes les instructions.
- 5) N'utilisez pas cet appareil avec de l'eau à proximité.
- 6) Ne nettoyez l'appareil qu'avec un chiffon sec.
- 7) Ne bloquez aucune ouverture de ventilation. Installez-le conformément aux instructions du fabricant.
- 8) N'installez pas l'appareil près de sources de chaleur telles que des radiateurs, bouches de chauffage, poêles ou autres appareils (y compris des amplificateurs) dégageant de la chaleur.
- 9) Ne neutralisez pas la fonction de sécurité de la fiche polarisée ou de terre. Une fiche polarisée a deux broches, l'une plus large que l'autre. Une fiche de terre a deux broches identiques et une troisième broche pour la mise à la terre. La broche plus large ou la troisième broche servent à votre sécurité. Si la fiche fournie n'entre pas dans votre prise, consultez un électricien pour le remplacement de la prise obsolète.

10) Évitez de marcher sur le cordon d'alimentation et de le pincer, en particulier au niveau des fiches, des prises secteur, et du point de sortie de l'appareil.

11) N'utilisez que des fixations/accessoires spécifiés par le fabricant.

12) Utilisez-le uniquement avec des chariots, socles, trépieds, supports ou tables spécifiés par le fabricant ou vendus avec l'appareil. Si un chariot est utilisé, faites attention à ne pas être blessé par un renversement lors du déplacement de l'ensemble chariot/appareil.



13) Débranchez cet appareil en cas d'orage ou de non utilisation prolongée.

14) Confiez toute réparation à des techniciens de maintenance qualifiés. Une réparation est nécessaire si l'appareil a été endommagé d'une quelconque façon, par exemple si le cordon ou la fiche d'alimentation est endommagé, si du liquide a été renversé sur l'appareil ou si des objets sont tombés dedans, si l'appareil a été exposé à la pluie ou à l'humidité, s'il ne fonctionne pas normalement, ou s'il est tombé.

- L'appareil tire un courant nominal de veille de la prise secteur quand son interrupteur POWER ou STANDBY/ON n'est pas en position ON.
- La fiche secteur est utilisée comme dispositif de déconnexion et doit donc toujours rester disponible.
- Des précautions doivent être prises en cas d'utilisation d'écouteurs ou d'un casque avec le produit car une pression sonore excessive (volume trop fort) dans les écouteurs ou dans le casque peut causer une perte auditive.

AVERTISSEMENT

Les produits ayant une construction de Classe **I** sont équipés d'un cordon d'alimentation avec une fiche de terre. Le cordon d'un tel produit doit être branché dans une prise secteur avec terre de sécurité.

AUX USA/CANADA, UTILISEZ UNIQUEMENT UNE TENSION D'ALIMENTATION DE 120 V.

ATTENTION

- N'exposez pas cet appareil aux gouttes ni aux éclaboussures.
- Ne placez pas d'objet rempli de liquide sur l'appareil, comme par exemple un vase.
- N'installez pas cet appareil dans un espace confiné comme une bibliothèque ou un meuble similaire.
- L'appareil doit être placé suffisamment près de la prise de courant pour que vous puissiez à tout moment attraper facilement la fiche du cordon d'alimentation.
- Si le produit utilise des piles/batteries (y compris un pack de batteries ou des piles installées), elles ne doivent pas être exposées au soleil, au feu ou à une chaleur excessive.
- **PRÉCAUTION** pour les produits qui utilisent des batteries remplaçables au lithium : remplacer une batterie par un modèle incorrect entraîne un risque d'explosion. Remplacez-les uniquement par un type identique ou équivalent.

INSTRUCTIONS DE SÉCURITÉ IMPORTANTES (suite)

Précautions concernant les piles

Un mauvais emploi des piles peut entraîner leur rupture ou leur fuite, avec pour conséquence un incendie, des blessures ou la salissure des objets proches. Veuillez lire et suivre attentivement les précautions suivantes.

- Veillez à insérer les piles avec leurs pôles positif (⊕) et négatif (⊖) correctement orientés.
- Utilisez des piles du même type. N'utilisez jamais des types de pile différents ensemble.
- Si la télécommande doit rester inutilisée durant une période prolongée (plus d'un mois), retirez ses piles pour éviter qu'elles ne coulent.
- Si les piles coulent, essuyez le liquide dans le compartiment des piles et remplacez les piles par des neuves.
- N'utilisez pas de piles d'un type autre que celui spécifié. Ne mélangez pas des piles neuves avec des anciennes et n'utilisez pas ensemble des types de pile différents.
- Ne chauffez pas et ne démontez pas les piles. Ne jetez jamais les piles dans un feu ou dans de l'eau.
- Ne conservez et ne transportez pas les piles avec d'autres objets métalliques. Les piles pourraient entrer en court-circuit, couler ou exploser.
- Ne rechargez jamais une batterie sans avoir vérifié qu'elle peut l'être.
- N'exposez pas les piles à une pression d'air extrêmement basse car cela pourrait entraîner une explosion ou une fuite de liquides ou de gaz inflammables.

Modèle pour le Canada

Déclaration de conformité d'Innovation, Sciences et Développement économique Canada :

CET APPAREIL NUMÉRIQUE DE LA CLASSE B EST CONFORME À LA NORME NMB-003 DU CANADA

Modèle pour l'Europe



Ce produit est conforme aux directives européennes et aux autres réglementations de la Commission européenne.

Pour les consommateurs européens

Mise au rebut des équipements électriques et électroniques et des piles et/ou accumulateurs

- a) Tout équipement électrique/électronique et pile/accumulateur hors d'usage doit être traité séparément de la collecte municipale d'ordures ménagères dans des points de collecte désignés par le gouvernement ou les autorités locales.
- b) En vous débarrassant correctement des équipements électriques/électroniques et piles/accumulateurs hors d'usage, vous contribuerez à la sauvegarde de précieuses ressources et à la prévention de potentiels effets négatifs sur la santé humaine et l'environnement.
- c) Le traitement incorrect des équipements électriques/électroniques et piles/accumulateurs hors d'usage peut avoir des effets graves sur l'environnement et la santé humaine en raison de la présence de substances dangereuses dans les équipements.
- d) Le symbole de déchets d'équipements électriques et électroniques (DEEE), qui représente une poubelle à roulettes barrée d'une croix, indique que les équipements électriques/électroniques et piles/accumulateurs doivent être collectés et traités séparément des déchets ménagers.
- Si une pile ou un accumulateur contient plus que les valeurs de plomb (Pb), mercure (Hg) et/ou cadmium (Cd) spécifiées dans la directive sur les piles et accumulateurs (2006/66/CE, 2013/56/UE), alors les symboles chimiques de ces éléments seront indiqués sous le symbole DEEE.
- e) Des systèmes de retour et de collecte sont disponibles pour l'utilisateur final. Pour des informations plus détaillées sur la mise au rebut des vieux équipements électriques/électroniques et piles/accumulateurs hors d'usage, veuillez contacter votre mairie, le service d'ordures ménagères ou le magasin dans lequel vous avez acquis l'équipement.



ESOTERIC is a trademark of TEAC CORPORATION, registered in the U.S. and other countries.

Les autres noms de société, noms de produit et logos présents dans ce document sont des marques commerciales ou déposées de leurs détenteurs respectifs.

Sommaire

Nous vous remercions d'avoir choisi ce produit ESOTERIC.

Lisez attentivement ce mode d'emploi pour tirer les meilleures performances de ce produit. Après l'avoir lu, gardez-le en lieu sûr avec la carte de garantie pour vous y référer ultérieurement.

INSTRUCTIONS DE SÉCURITÉ IMPORTANTES.....	29
Avant l'utilisation	33
Accessoires fournis	33
Note sur les pieds de découplage	33
Précautions d'emploi	33
Branchements (unité principale)	34
Branchements (unité d'alimentation)	36
Branchement par liaison ES-LINK Analog.....	38
Présentation d'ES-LINK Analog.....	38
Branchement d'appareils sources par liaison ES-LINK Analog... 38	
Branchement à un amplificateur de puissance par liaison ES-LINK Analog	38
Parties et fonctions de l'unité principale.....	39
Parties et fonctions de l'unité d'alimentation.....	40
Notes à propos de la télécommande.....	41
Parties et fonctions de la télécommande.....	42
Fonctionnement de base	43
Mise en veille du Grandioso C1X.....	44
Atténuateur (Dimmer).....	44
Coupure du son en sortie.....	44
Réglages	45
Fonctionnement de base.....	45
MENU 1	46
Réglage de balance gauche/droite	46
Niveau de sortie.....	46
Nom de la source d'entrée.....	46
MENU 2	47
Mode de volume	47
Temps de fondu d'entrée/sortie	47
Réglage du niveau de coupure du son.....	47
Réglage d'assombrissement automatique de l'écran.....	47
Fonction d'économie automatique d'énergie	47
Éclairage	48
Réglage de la luminosité d'éclairage des boutons.....	48
Affichage de l'arrêt du fonctionnement du processeur.....	48
Ouverture du Menu 3 des réglages	48
MENU 3	49
Mode de fonctionnement du connecteur d'entrée.....	49
Sortie de renvoi	49
Réglage de la prise d'entrée pour télécommande (RS-232C)... 50	
Réglage de sortie du signal de déclenchement	50
Rappel des réglages d'usine	50
F/W ** **	50
Guide de dépannage.....	51
Entretien	51
Caractéristiques techniques.....	52
Schémas avec cotes	53
Unité principale	53
Schéma de positionnement des pieds.....	53
Unité d'alimentation.....	54
Schéma de positionnement des pieds.....	54

Accessoires fournis

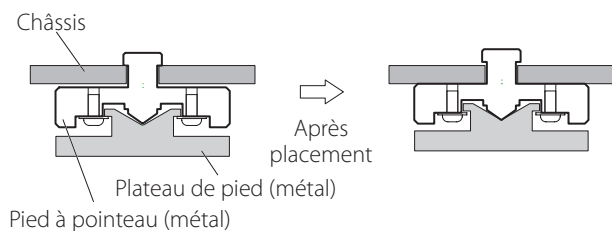
Vérifiez que vous disposez bien de tous les accessoires indiqués ci-dessous. Veuillez contacter le magasin dans lequel vous avez acheté ce produit si l'un de ces accessoires manque ou a été endommagé durant le transport.

- Cordons d'alimentation × 2
- Cordons d'alimentation CC × 2
- Télécommande (RC-1334) × 1
- Piles pour télécommande (AA) × 2
- Patins en feutre × 8
- Mode d'emploi (ce document) × 1
- Carte de garantie × 1

Note sur les pieds de découplage

Des pieds à pointeau métallique de haute précision sont fixés aux plaques inférieures de l'unité principale et de l'unité d'alimentation.

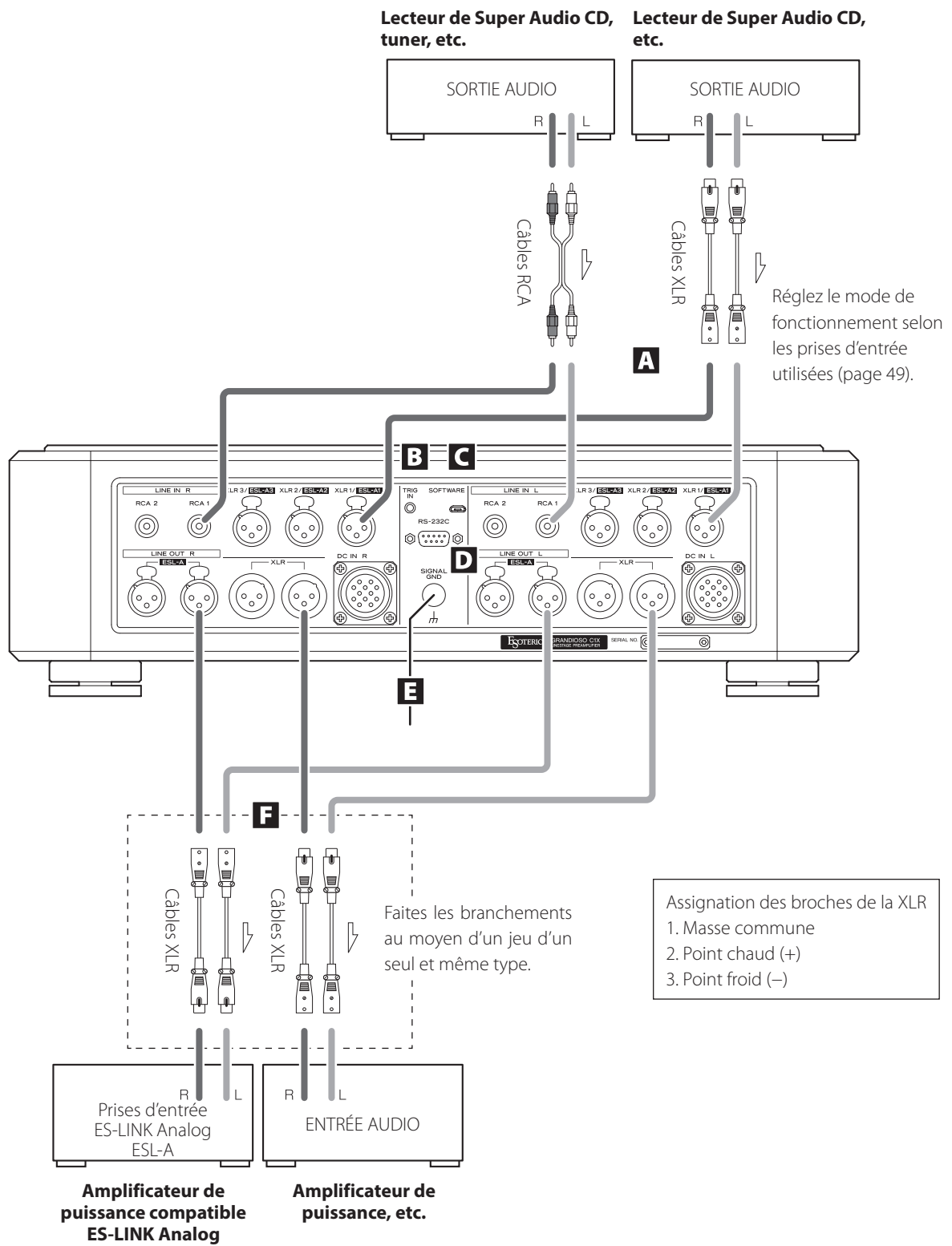
Les pieds à pointeau et leur plateau sont lâches, mais ils soutiennent les unités une fois celles-ci posées et dispersent efficacement les vibrations.



- S'il y a un espace entre le châssis et un pied à pointeau une fois l'unité placée, tournez le pied dans la direction qui serre la vis pour supprimer cet espace.
- Fixez les patins de feutre fournis sous les pieds de protection pour éviter de rayer la surface sur laquelle sont placées les unités.
- Ces unités sont très lourdes, aussi faites attention de ne pas vous blesser durant l'installation.

- N'installez pas ces unités dans un lieu qui pourrait chauffer. Cela comprend les endroits exposés directement au soleil ou près d'un radiateur, d'un chauffage, d'une cuisinière ou d'autres appareils chauffants. En outre, ne les placez pas au-dessus d'amplificateurs ou d'autres équipements dégageant de la chaleur. Cela pourrait causer une décoloration ou une déformation.
- Évitez les endroits sujets aux vibrations ou exposés à une poussière excessive, au froid et à l'humidité.
- Afin de permettre une bonne dissipation de la chaleur, laissez au moins 20 cm entre ces unités et les murs et les autres équipements lors de l'installation.
Si vous les placez dans un rack, prenez les précautions nécessaires pour éviter la surchauffe en laissant au moins 5 cm d'espace libre au-dessus et 10 cm derrière. Ne pas laisser ces espaces peut faire monter la température au risque d'entraîner un incendie.
- N'installez pas ces unités face vers le haut ou sur un de leurs côtés.
- Placez ces unités sur une surface stable près du système audio que vous allez utiliser avec elles.
- Ne posez pas de tissu sur ces unités et ne les placez pas sur du linge de maison ou sur une moquette épaisse.
- Ne placez rien sur le dessus de ces unités, pas même des CD, CD-R, disques vinyle ou cassettes.
- Fournissez à l'unité d'alimentation une tension électrique correspondant à celle imprimée en face arrière. Si vous avez des doutes à ce sujet, consultez un électricien.
- Ne déplacez pas les unités durant l'utilisation.
- N'ouvrez pas le boîtier des unités car cela pourrait endommager leur circuit ou entraîner un choc électrique. Si un objet étranger pénètre dans une unité, contactez votre revendeur.
- Quand vous débranchez chaque fiche d'alimentation d'une prise secteur, tirez toujours directement sur la fiche. Ne tirez jamais sur le cordon lui-même.

Branchements (unité principale)



A Prises d'entrée analogique (LINE IN)

Branchez les sorties analogiques de lecteurs de Super Audio CD, lecteurs de DVD, platines cassettes, tuners et autres équipements à ces prises.

Reliez la prise R d'une des paires de cette unité à la prise droite (R) de sortie de l'appareil source et la prise L de la même paire de cette unité à la prise gauche (L) de sortie de l'appareil source.

XLR/ESL-A : câbles XLR symétriques

Insérez des fiches XLR symétriques jusqu'à ce que les loquets des prises se verrouillent. Appuyez sur ces loquets et retirez les fiches pour les déconnecter.

RCA : câbles RCA

Branchez les fiches blanches aux prises blanches (L) et les fiches rouges aux prises rouges (R).

- Cette unité n'a pas d'égaliseur phono, donc les platines tourne-disques ne peuvent lui être directement branchées. Pour utiliser une platine tourne-disque avec cette unité, branchez-la par exemple au travers d'un égaliseur phono.
- Utilisez des câbles du commerce pour les branchements.

B Prise d'entrée de déclenchement (TRIG IN)

Utilisez cette prise pour contrôler l'alimentation depuis une source externe.

Ne branchez rien à cette prise lorsque vous ne l'utilisez pas.

C Port de maintenance SOFTWARE

Sert à la maintenance. N'y branchez rien sauf si vous êtes invité à le faire par notre service après-vente.

D Prise d'entrée pour télécommande (RS-232C)

Cette prise de commande est destinée à une utilisation par des professionnels (installateurs).

E Borne de masse SIGNAL GND

Utiliser un câble gainé du commerce pour la raccorder à la borne de mise à la masse d'un lecteur Super Audio CD, d'un amplificateur de puissance ou d'un autre appareil peut améliorer la qualité audio.

- Ce n'est pas un branchement de terre de sécurité.

F Prises de sortie analogique (LINE OUT)

Elles produisent 2 canaux de signaux audio analogiques.

Branchez-les par exemple aux prises d'entrée analogique d'un amplificateur de puissance.

Branchez la prise R d'une paire de cette unité à la prise droite (R) de l'appareil récepteur et la prise L de la même paire de cette unité à la prise gauche (L) de l'appareil récepteur.

XLR/ESL-A : câbles XLR symétriques

Insérez des fiches XLR symétriques jusqu'à ce que les loquets des prises se verrouillent.

- Utilisez des câbles du commerce pour les branchements.
- Dans chaque paire, les deux prises XLR produisent les mêmes signaux. Les deux prises peuvent être connectées par exemple à des amplificateurs de puissance. Il en va de même pour les prises ESL-A.

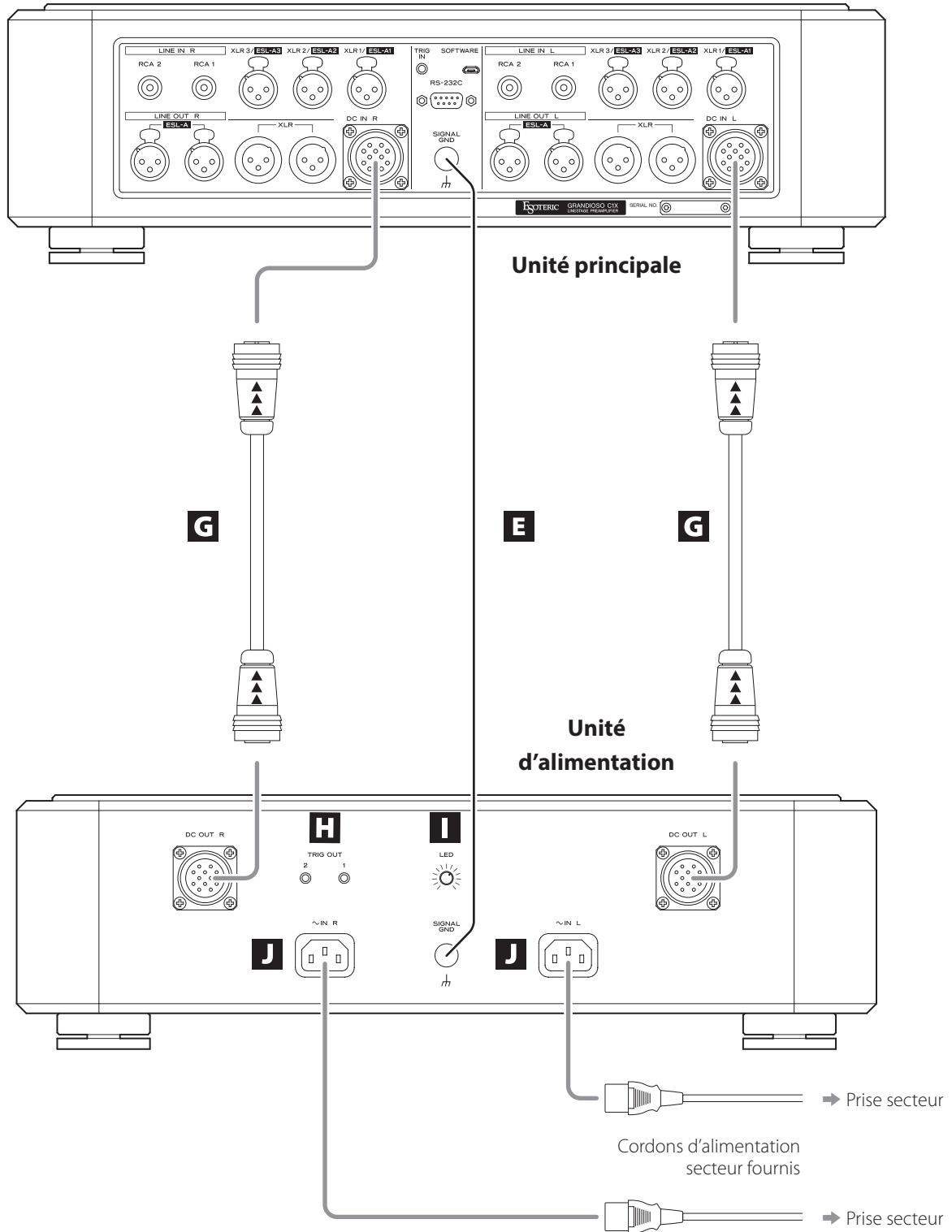
ATTENTION

Les prises de sortie ESL-A de cette unité sont des prises femelles pour éviter la connexion accidentelle aux prises de sortie XLR.

Branchements (unité d'alimentation)

⚠ Précautions lors des branchements

- Faites tous les autres branchements avant de brancher les fiches d'alimentation dans les prises secteur.
- Lisez les modes d'emploi de tous les appareils qui seront connectés et suivez leurs instructions.



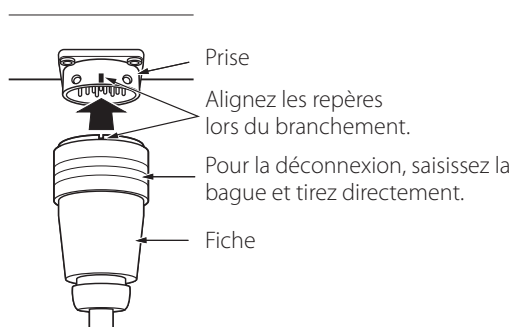
G Prises d'entrée/sortie d'alimentation CC (DC IN/DC OUT)

Avec les deux cordons d'alimentation CC (courant continu) fournis, connectez les prises d'entrée d'alimentation CC (DC IN) de l'unité principale aux prises de sortie CC (DC OUT) de l'unité d'alimentation.

DC OUT L → DC IN L

DC OUT R → DC IN R

- Les cordons d'alimentation raccordés aux prises secteur de courant alternatif doivent toujours être débranchés de celles-ci avant de connecter ou de déconnecter les cordons d'alimentation en courant continu (CC).
- Des flèches sont imprimées sur les cordons d'alimentation CC. Branchez ces derniers de façon à ce que les flèches pointent dans la direction indiquée par l'illustration en page 36. Vérifiez l'orientation des broches et des flèches sur chaque cordon d'alimentation CC que vous tiendrez par sa fiche. Alignez les repères sur la fiche et sur le connecteur et enfoncez la fiche à fond jusqu'à ce qu'elle s'enclenche. Pour la déconnexion, saisissez la bague et tirez franchement. Lorsque vous branchez ou débranchez les cordons d'alimentation, ne tordez pas et n'inclinez pas les fiches.
- Veillez à ne pas vous pincer les doigts avec la bague lors de la connexion ou déconnexion d'un cordon d'alimentation CC.



⚠ Ne les connectez jamais à autre chose qu'une unité principale Grandioso C1X. Cela pourrait entraîner des dommages.

H Prises de sortie de déclenchement (TRIG OUT)

Elles produisent les signaux de déclenchement liés aux opérations d'alimentation de ce produit.

Ne branchez rien à ces prises lorsque vous ne les utilisez pas.

- Pour utiliser ces prises, le paramètre de sortie du signal de déclenchement TRIG_O doit être réglé sur ON.

I Bouton de réglage de luminosité de LED

Tournez-le pour régler la luminosité du voyant d'alimentation.

J Prises d'entrée secteur (~IN)

Branchez les cordons d'alimentation secteur fournis à ces prises. Après avoir terminé tous les autres branchements, insérez les fiches des cordons d'alimentation dans des prises secteur.

⚠ N'utilisez que d'authentiques cordons d'alimentation ESOTERIC. L'utilisation d'autres cordons d'alimentation peut entraîner un incendie ou un choc électrique.

⚠ Débranchez les fiches d'alimentation des prises secteur en cas de non-utilisation prolongée du Grandioso C1X.

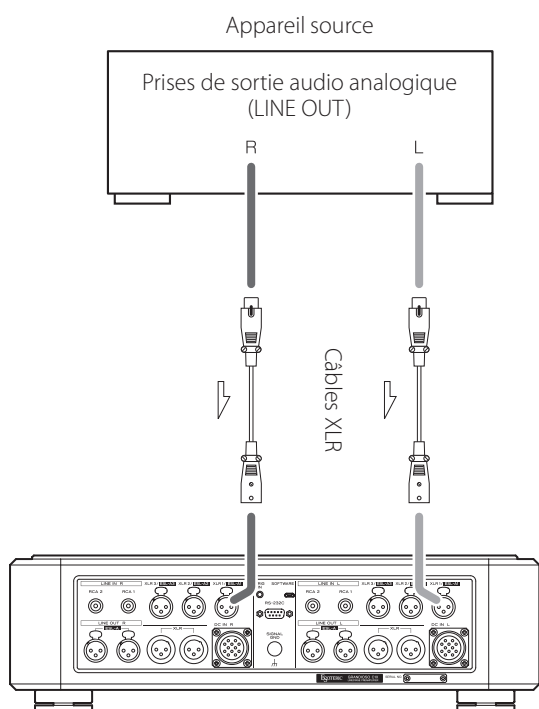
Branchement par liaison ES-LINK Analog

Présentation d'ES-LINK Analog

Cette méthode de transmission utilise les performances de circuits tampons HCLD qui se caractérisent par leur capacité à fournir un courant fort à haut débit. Cela supprime l'impact de l'impédance sur les trajets des signaux, permettant une transmission pure et puissante des signaux.

- Cette connexion se fait au moyen de câbles symétriques ordinaires (à connecteurs XLR). Ces prises ne peuvent toutefois être raccordées qu'à des appareils compatibles, car le format de transmission est particulier.

Branchement d'appareils sources par liaison ES-LINK Analog



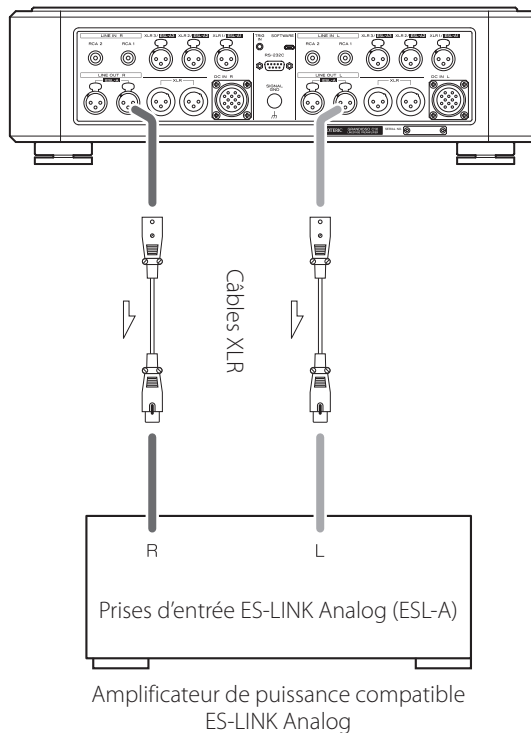
ATTENTION

Sur l'appareil source, réglez le paramètre de sortie analogique sur ESLA avant de le connecter.

Utilisez des câbles XLR pour raccorder les prises de sortie audio analogique (XLR/ESL-A) de l'appareil source aux prises d'entrée audio analogique (ESL-A) de cette unité.

- Réglez le mode de fonctionnement sur ESLA pour les prises d'entrée de cette unité qui sont connectées à l'appareil source (page 49).
- Vous pouvez également faire le branchement à l'aide des prises XLR ou RCA. Sélectionnez le type de connexion qui apporte la qualité audio que vous préférez.

Branchement à un amplificateur de puissance par liaison ES-LINK Analog

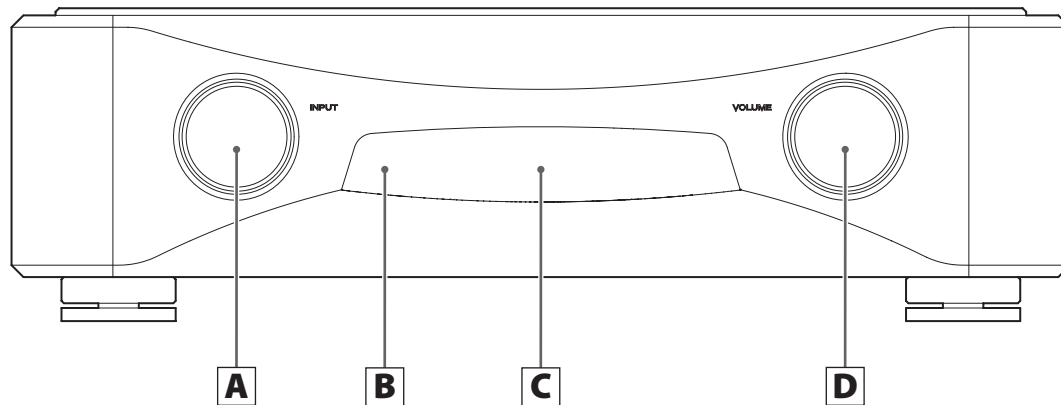


Utilisez des câbles XLR pour raccorder les prises de sortie audio analogique (ESL-A) de cette unité aux prises d'entrée ES-LINK Analog (ESL-A) de l'amplificateur de puissance.

- Réglez le sélecteur d'entrée de l'amplificateur de puissance sur ESLA.
- Aucun réglage n'est nécessaire sur cette unité.

ATTENTION

Les prises de sortie ESL-A de cette unité sont des prises femelles pour éviter la connexion accidentelle aux prises de sortie XLR.



A Bouton INPUT

Tournez ce bouton pour sélectionner l'entrée active. Sélectionnez l'entrée à laquelle est branché l'appareil qui doit jouer.

- Vous pouvez changer les noms affichés à l'écran pour les prises (page 46).

B Capteur de signal de télécommande

Reçoit les signaux de la télécommande. Quand vous utilisez la télécommande, pointez son extrémité vers ce panneau de réception (page 41).

C Écran

Affiche le nom de la source d'entrée actuelle, le volume, les paramètres de réglage, etc.

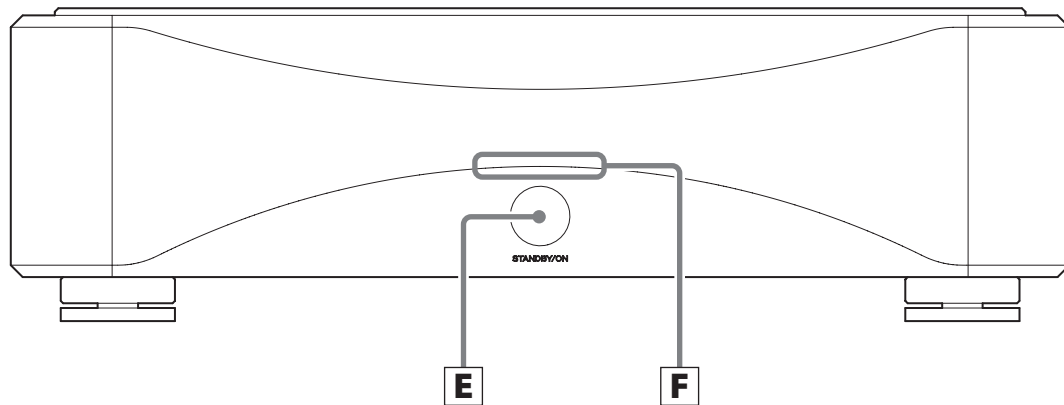
D Bouton VOLUME

Sert à régler le volume.

Tournez ce bouton dans le sens horaire pour augmenter le volume et dans le sens anti-horaire pour le réduire.

- Lorsque « THRU » apparaît à l'écran, il n'est pas possible de régler le volume sur cette unité (page 49).

⚠ Des bruits forts et soudains peuvent causer des dommages auditifs et d'autres problèmes. Réduisez toujours le volume au minimum avant de commencer la lecture et réglez-le ensuite au niveau approprié une fois la lecture commencée.



E Touche **STANDBY/ON**

Appuyez pour mettre le Grandioso C1X en service ou en veille (standby).

F Voyant d'alimentation **POWER**

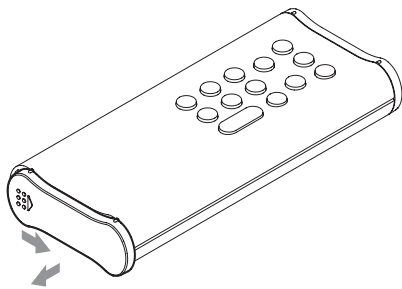
Il s'allume quand l'unité est sous tension.

Précautions pour l'utilisation de la télécommande

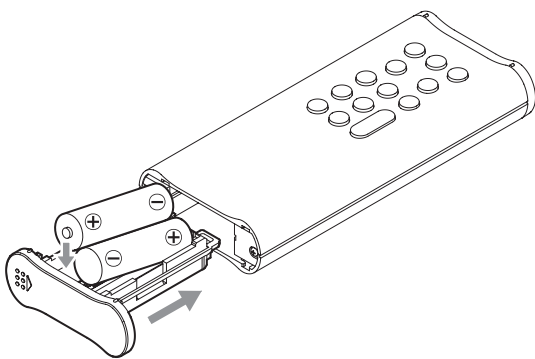
- Pour utiliser la télécommande, pointez-la vers le capteur de télécommande de l'unité principale dans un rayon maximal de 7 m. Ne placez pas d'obstacles entre l'unité principale et la télécommande.
- La télécommande peut ne pas fonctionner si le capteur de signal de télécommande est exposé à la lumière du soleil ou à une forte source lumineuse.
- Sachez que l'emploi de cette télécommande peut entraîner le déclenchement involontaire d'opérations sur d'autres appareils contrôlables par rayons infrarouges.

Installation des piles

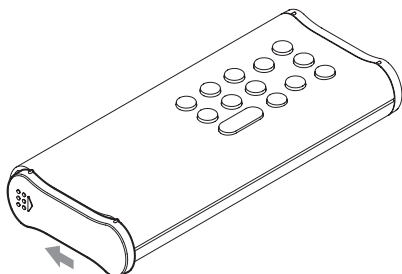
- 1** Faites coulisser l'extrémité inférieure de la télécommande comme indiqué dans l'illustration, puis sortez le porte-piles.



- 2** Insérez deux piles AA avec leurs pôles \oplus et \ominus orientés comme indiqué dans le porte-piles, et remettez ce dernier en place.



- 3** Faites coulisser l'extrémité inférieure de la télécommande comme indiqué dans l'illustration pour verrouiller le porte-piles.



Quand faut-il remplacer les piles ?

Si la portée d'action de la télécommande diminue ou si l'unité principale cesse de répondre aux touches de la télécommande, remplacez les deux piles par des neuves.

Jetez les piles usagées conformément à leurs instructions ou aux directives établies par votre municipalité.

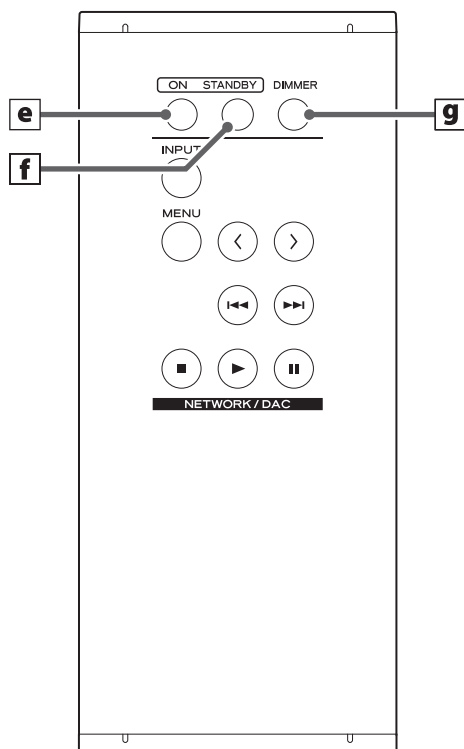
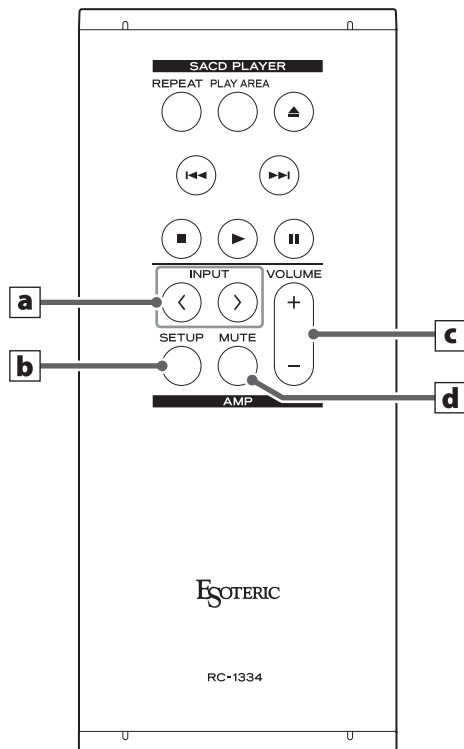


Précautions concernant les piles

Un mauvais emploi des piles peut entraîner leur rupture ou leur fuite, avec pour conséquence un incendie, des blessures ou la salissure des objets proches.

Veillez attentivement lire et respecter les précautions en page 30.

Parties et fonctions de la télécommande



a Touches INPUT (</>)

Servent à changer de source d'entrée. Sélectionnez l'entrée à laquelle est branché l'appareil qui doit jouer.

Quand un menu de réglage est ouvert, utilisez-les pour changer les valeurs de réglage.

Quand vous saisissez un nom de source, utilisez-les pour sélectionner les caractères (page 46).

b Touche SETUP

Sert avec MENU 1, MENU 2 et MENU 3 (page 45).

Quand vous saisissez un nom de source, utilisez-la pour déplacer le curseur vers la gauche (page 46).

c Touches VOLUME (+/-)

Servent à régler le volume. Appuyez sur la touche + pour augmenter le volume et sur la touche – pour le diminuer.

- Lorsque « THRU » apparaît à l'écran, il n'est pas possible de régler le volume sur cette télécommande (page 49).
- Appuyez dessus en mode de réglage pour mettre fin à la modification des paramètres et revenir à l'affichage normal (page 45).

d Touche MUTE

Appuyez sur cette touche pour temporairement couper le son. Appuyez à nouveau dessus pour restaurer le réglage de volume. Quand vous saisissez un nom de source, utilisez-la pour déplacer le curseur vers la droite (page 46).

- Quand le son est coupé, « MUTE » clignote à l'écran.

e Touche ON

Appuyez pour mettre le Grandioso C1X en service.

f Touche STANDBY

Appuyez pour mettre le Grandioso C1X en veille (Standby).

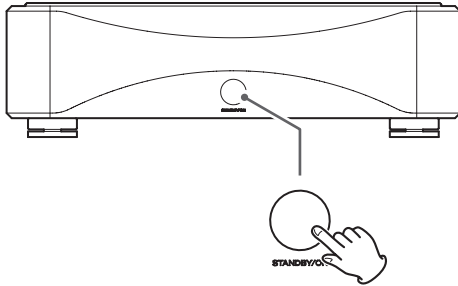
g Touche DIMMER

Sert à régler la luminosité de l'écran de l'unité principale (page 44).

- Les touches non expliquées ici n'ont pas de fonction avec le Grandioso C1X.
- Cette télécommande peut aussi être utilisée avec d'autres produits ESOTERIC.

1 Allumez un appareil source d'entrée connecté à l'unité principale.

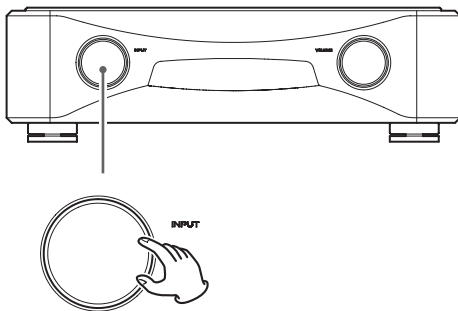
2 Appuyez sur la touche **STANDBY/ON** pour allumer le Grandioso C1X.



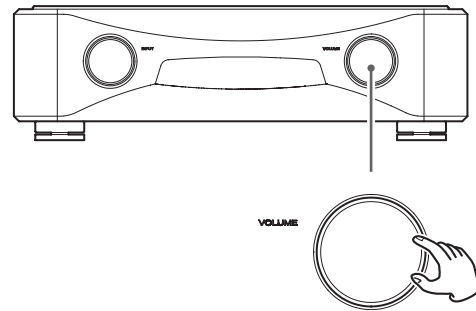
Quand il est allumé, le voyant d'alimentation et l'écran s'éclairent.

- Allumez l'amplificateur de puissance après avoir allumé le Grandioso C1X.

3 Tournez le bouton **INPUT** pour choisir une source d'entrée.



4 Faites jouer la source puis réglez le volume.



! Des bruits forts et soudains peuvent causer des dommages auditifs et d'autres problèmes. Réduisez toujours le volume au minimum avant de commencer la lecture et réglez-le ensuite au niveau approprié une fois la lecture commencée.

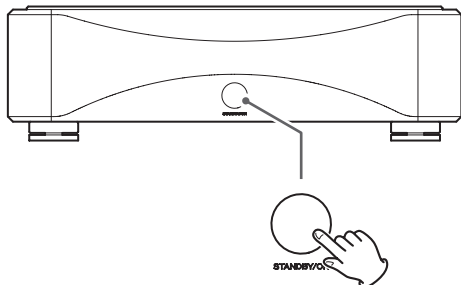
Mise en veille du Grandioso C1X

Du bruit peut sortir par les enceintes si l'unité est éteinte brutalement. Suivez les étapes ci-dessous pour mettre l'unité en veille (Standby).

1 Si un appareil connecté est en cours de lecture, arrêtez la lecture.

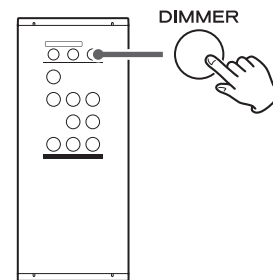
2 Éteignez l'amplificateur de puissance.

3 Appuyez sur la touche **STANDBY/ON** pour mettre le Grandioso C1X en veille.

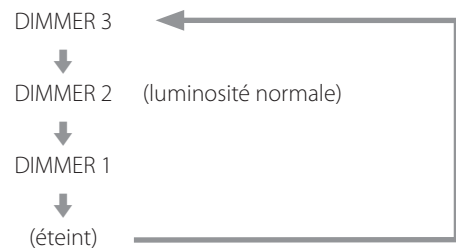


4 Éteignez l'appareil source d'entrée connecté.

Atténuateur (Dimmer)

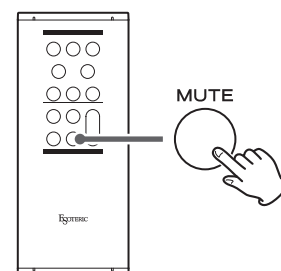


Sert à régler la luminosité de l'écran de l'unité principale.



- Même éteint, l'écran reprend une luminosité normale durant quelques secondes quand vous appuyez sur une touche ou tournez un bouton.
- Même sans réglage DIMMER ou avec un réglage DIMMER 1, les menus de réglage et les messages d'erreur s'affichent avec une luminosité normale (DIMMER 2).
- Si vous maintenez pressée la touche, la luminosité est réglée sur DIMMER 2 (luminosité normale).

Coupure du son en sortie



Appuyez sur la touche MUTE pour couper temporairement le son. Appuyez à nouveau dessus pour restaurer le réglage de volume.

- Quand le son est coupé, « MUTE » clignote à l'écran.
- Vous pouvez aussi restaurer le son en appuyant sur les touches VOLUME (+/-) ou en tournant le bouton VOLUME.

Fonctionnement de base

Les paramètres relatifs à cette unité sont répartis en trois groupes : MENU 1, MENU 2 et MENU 3.

L'affichage de MENU 1, MENU 2 ou MENU 3 dépend de la façon dont vous appuyez sur la touche SETUP.

Dans le MENU 1, des réglages peuvent être faits indépendamment pour chacune des prises d'entrée.

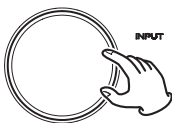
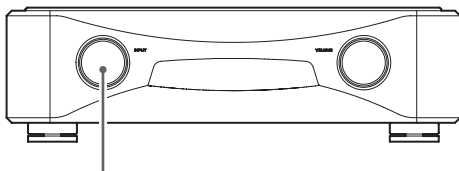
Dans le MENU 2, des réglages peuvent être faits pour l'affichage et l'unité dans son ensemble.

Dans le MENU 3, des réglages concernant le fonctionnement de l'amplificateur peuvent être faits.

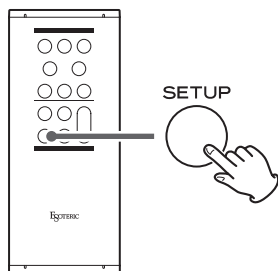
1 Ouvrez un menu de réglages.

Ouverture du MENU 1

- 1) Tournez le bouton INPUT pour choisir la source d'entrée que vous voulez régler.



- 2) Appuyez sur la touche SETUP pour afficher le MENU 1.



Ouverture du MENU 2

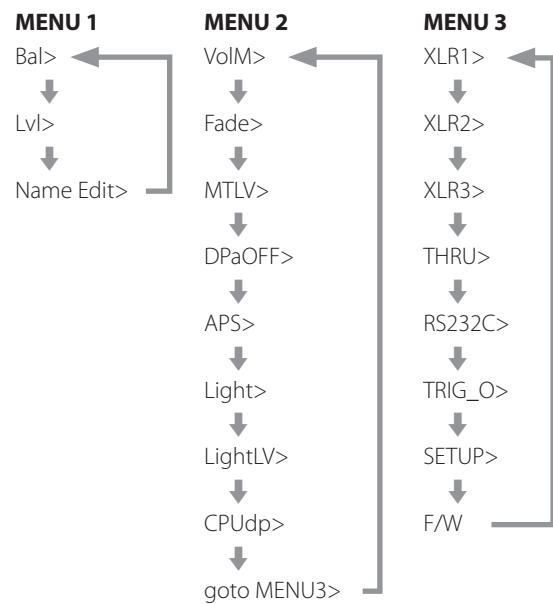
Maintenez la touche SETUP pressée.

Ouverture du MENU 3

Dans le MENU 2, sélectionnez « goto MENU 3 » (Passer au MENU 3) et maintenez la touche SETUP pressée.

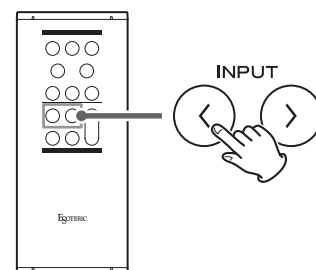
- Pendant les réglages, MENU 1, MENU 2 ou MENU 3 apparaît en haut à gauche de l'écran.

2 Appuyez sur la touche SETUP le nombre de fois nécessaire pour sélectionner le paramètre à changer.

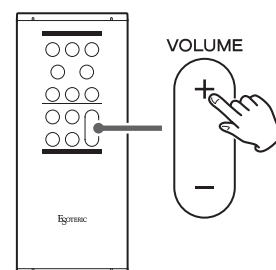


3 Changez le réglage avec les touches INPUT (</>).

Le bouton INPUT de l'unité principale permet également de changer le réglage.



4 Appuyez sur la touche VOLUME (+/-) pour mettre fin aux réglages.



Le mode de réglage est également abandonné avec retour de l'écran à la normale si rien n'est fait durant dix secondes.

- Les réglages sont conservés même après déconnexion des cordons d'alimentation.

Réglage de balance gauche/droite

Bal>***

Réglez la balance entre les canaux de sortie gauche et droit. Elle peut se régler entre L (gauche) 6,0 dB et R (droite) 6,0 dB par paliers de 0,1 dB. Elle peut également être réglée pour qu'un seul canal soit coupé.

- Par défaut, le réglage est à 0,0 dB (aucun réglage de balance).

Coupure d'un seul canal

Appuyez sur la touche > pour sélectionner « Bal>R only » afin que seul le canal droit sorte.

De même, appuyez sur la touche < pour sélectionner « Bal>L only » afin que seul le canal gauche sorte.

Niveau de sortie

Lvl>***

Réglez le niveau de sortie pour le type de prise d'entrée sélectionné. Il peut être réglé sur des valeurs entre -18,0 dB et +18,0 dB par paliers de 0,1 dB.

- Par défaut, le réglage est à 0,0 dB.

Remarque concernant les réglages et la qualité sonore

Bal (balance gauche-droite) et Lvl (niveau de sortie) sont deux réglages concernant le volume. Le microprocesseur de cette unité analyse à la fois ces réglages et celui du volume pour effectuer un contrôle unique en un seul endroit avec un amplificateur de contrôle du volume.

Pour cette raison, contrairement aux amplificateurs ordinaires qui font passer les signaux audio au travers de multiples circuits, ces réglages ne dégradent pas la qualité audio.

Nom de la source d'entrée

Name Edit>***

Vous pouvez choisir le nom qui s'affiche à l'écran quand on change de source d'entrée (jusqu'à cinq caractères).

Changement du nom des sources d'entrée

1) Maintenez la touche SETUP pressée quand Name Edit (modification du nom) est affiché.

2) Saisissez les caractères.

Le caractère saisi et le curseur apparaissent alternativement. Utilisez les touches INPUT(</>) ou le bouton INPUT de l'unité principale pour sélectionner les caractères.

3) Déplacez le curseur.

Appuyez sur la touche MUTE pour déplacer le curseur vers la droite ou sur la touche SETUP pour le déplacer vers la gauche.

4) Une fois la saisie terminée, maintenez la touche SETUP pressée.

- Pendant la saisie d'un nom, il n'est pas possible de changer de volume ni d'entrée.
- Caractères disponibles
Lettres anglaises : A-Z, a-z
Chiffres : 0-9
Symboles : ! " # \$ % & ' () * + , - . / \ : ; < = > ? @ (espace)
- L'utilisation d'espaces vides pour les cinq caractères permet d'effacer le nom de la source d'entrée.

Mode de volume

VoIM>***

Détermine la façon de régler le volume.

- Par défaut, le réglage est dB1.
- +12 dB avec le réglage dB1 donne le même volume que 0,0 dB avec les réglages dB2–dB4.

STEP

Le réglage du volume est affiché comme une valeur comprise entre 0,0 et 99,9.

dB1

Le volume peut être réglé à $-\infty$ ou de $-99,9$ à $+12,0$ dB et est indiqué avec le dB comme unité.

dB2

Le volume peut être réglé à $-\infty$ ou de $-99,9$ à $0,0$ dB et est indiqué avec le dB comme unité.

dB3

Le volume peut être réglé à $-\infty$ ou de $-79,9$ à $0,0$ dB et est indiqué avec le dB comme unité.

dB4

Le volume peut être réglé à $-\infty$ ou de $-59,9$ à $0,0$ dB et est indiqué avec le dB comme unité.

Temps de fondu d'entrée/sortie

Fade>***

Le temps de fondu d'entrée/sortie utilisé pour couper le son et le rétablir s'allonge de TM1 à TM3.

- Par défaut, le réglage est TM2.

Réglage du niveau de coupure du son

MTLV>***

Détermine le volume réel quand on coupe le son.

- Par défaut, le réglage est $-\infty$ dB.

$-\infty$ dB

Le volume descend à $-\infty$ dB lorsque le son est coupé.

-20dB

Le volume réglé est réduit de 20 dB quand on coupe le son.

Réglage d'assombrissement automatique de l'écran

DPaOFF>***

Utilisez-le pour que l'écran s'assombrisse automatiquement.

- Par défaut, le réglage est OFF.

ON

Si aucune opération n'a été effectuée depuis dix minutes, l'écran s'éteint automatiquement.

DIM

Si aucune opération n'est effectuée pendant dix minutes, l'écran s'assombrit jusqu'à la luminosité DIMMER 1.

OFF

Pas d'assombrissement automatique de l'écran.

- Si l'écran reste allumé longtemps sur les mêmes indications, des irrégularités de luminosité peuvent survenir. Pour cette raison, nous vous recommandons de régler la fonction d'assombrissement automatique de l'écran sur ON.

Fonction d'économie automatique d'énergie

APS>***

S'il n'y a pas d'entrée audio (silence continu) venant de la source d'entrée sélectionnée dans le délai imparti, l'unité se met automatiquement en veille.

- Par défaut, le réglage est OFF.
- Une entrée audio provenant de sources d'entrée autres que celle sélectionnée n'a aucun effet sur la fonction d'économie automatique d'énergie.

30m

30 minutes

60m

60 minutes

90m

90 minutes

120m

120 minutes

OFF

La fonction d'économie automatique d'énergie est désactivée.

Éclairage

Light>***

L'éclairage circulaire autour des boutons INPUT et VOLUME peut être réglé.

- Par défaut, le réglage est AUTO.

AUTO

Quand on bouge les boutons, leur cercle s'allume.

ON

Le cercle autour des boutons est toujours allumé.

OFF

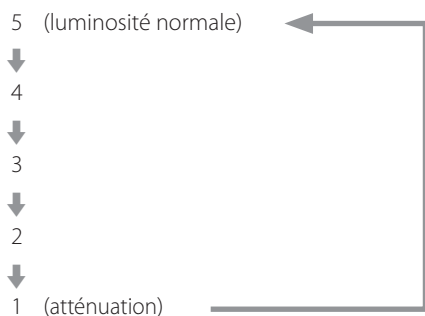
Le cercle autour des boutons est toujours éteint.

Réglage de la luminosité d'éclairage des boutons

LightV>***

La luminosité de l'éclairage autour des boutons peut être réglée.

- Elle est par défaut réglée sur 5.



Affichage de l'arrêt du fonctionnement du processeur

CPUdp>***

- Par défaut, le réglage est ON.

OFF

L'arrêt du fonctionnement du processeur ne sera pas affiché.

ON

« CPU off » s'affiche lorsque le processeur qui contrôle ce produit s'arrête de fonctionner. Lorsque le bouton d'entrée, le bouton de volume ou la télécommande sont utilisés, le contrôle du produit reprend. Une fois l'opération terminée, son fonctionnement s'arrêtera automatiquement de nouveau.

- Si la fonction APS n'est pas réglée sur OFF, pour permettre de vérifier l'état de fonctionnement et de mesurer le temps, le processeur ne s'arrêtera pas de fonctionner.
- Si DPaOFF est réglé sur ON, le processeur ne s'arrête pas pendant la mesure du temps jusqu'à ce que l'écran s'éteigne automatiquement.
- Si le paramètre de contrôle externe par RS232C est activé, le processeur ne s'arrête pas car il reste en attente de réception de commandes externes.
- Si l'éclairage (Light>) est activé (ON), le processeur ne s'arrête pas car il ajuste constamment la luminosité.

Ouverture du Menu 3 des réglages

goto MENU3

Maintenez la touche SETUP pressée pour ouvrir le MENU 3.

Mode de fonctionnement du connecteur d'entrée

XLR1>***

XLR2>***

XLR3>***

Réglez le mode de fonctionnement du connecteur d'entrée.

- Par défaut, le réglage est XLR.

XLR

Sélectionnez cette option lorsque vous utilisez une connexion symétrique normale.

ESLA

Sélectionnez cette option lorsque vous utilisez la connexion ES-LINK Analog.

Sortie de renvoi

THRU>***

Déterminez si vous souhaitez utiliser les prises d'entrée pour simplement faire traverser le signal et le renvoyer tel quel.

- Par défaut, le réglage est OFF.

OFF

Il n'y a aucun renvoi d'entrée.

XLR1 (ESLA1)

XLR2 (ESLA2)

XLR3 (ESLA3)

RCA1

RCA2

La sortie se fera sans que cette unité n'ajuste le volume.



Si vous sélectionnez des entrées auxquelles est branché un appareil de niveau ligne ordinaire, des signaux trop puissants risquent d'être envoyés aux enceintes, avec pour conséquence de les endommager.

« THRU » s'affiche à la place du niveau de volume réglé quand on utilise le bouton VOLUME.

Par exemple, si vous branchez les prises de sortie préampli (par ex. FRONT L/R) d'un amplificateur AV aux prises RCA 2 de cette unité et si vous réglez RCA2 sur THRU, vous pouvez utiliser les enceintes branchées à cette unité comme enceintes de façade pour l'amplificateur AV (l'amplificateur AV contrôle le volume lorsque la source d'entrée est réglée sur « RCA2 »).

- Le volume ne peut pas être réglé pour les connecteurs d'entrée réglés sur THRU, mais des réglages fins peuvent être effectués à l'aide des paramètres Bal et Lvl.



Les prises d'entrée réglées sur THRU doivent toujours être reliées à un appareil disposant d'une commande de volume. Utilisez cet appareil pour réduire le volume au minimum avant de basculer sur cette source d'entrée puis montez progressivement le volume.

Réglage de la prise d'entrée pour télécommande (RS-232C)

RS232C>***

Réglez ce paramètre sur ON uniquement si vous utilisez la prise d'entrée pour télécommande (RS-232C).

- Par défaut, le réglage est OFF.

OFF

La prise d'entrée pour télécommande (RS-232C) ne peut pas être utilisée.

ON

La prise d'entrée pour télécommande (RS-232C) peut être utilisée.

Réglage de sortie du signal de déclenchement

TRIG_O>***

- Par défaut, le réglage est OFF.

OFF

Aucun signal de déclenchement ne sort.

ON

Sortie des signaux de déclenchement.

Rappel des réglages d'usine

SETUP>***

Sert à restaurer les réglages d'usine par défaut, ce qui efface tous les changements que vous avez effectués en mémoire.

Suivez la procédure ci-dessous pour réinitialiser les réglages.

- 1) Utilisez les touches INPUT (</>) pour faire s'afficher « CLR ».
- 2) Quand « CLR » est affiché, maintenez la touche SETUP pressée.

F/W **.**

Affiche la version du firmware.

« **.** » est la version.

Si vous rencontrez un problème avec ce produit, veuillez prendre un moment pour lire les informations suivantes avant de solliciter une réparation. Par ailleurs, ce produit n'est peut-être pas la cause du problème. Veuillez aussi vérifier le fonctionnement des unités connectées.

Si ce produit ne fonctionne toujours pas correctement, contactez le revendeur chez qui vous l'avez acheté.

Le Grandioso C1X ne s'allume pas.

- ➔ Insérez les fiches d'alimentation dans des prises secteur.

Le mode de veille s'active automatiquement.

- ➔ La fonction d'économie automatique d'énergie intervient pour faire passer l'unité en veille.
Appuyez sur la touche STANDBY/ON de l'unité d'alimentation ou sur la touche ON de la télécommande pour la remise en service.
Changez si nécessaire le réglage de la fonction d'économie automatique d'énergie (page 47).

La télécommande ne fonctionne pas.

- ➔ Appuyez sur la touche STANDBY/ON de l'unité d'alimentation ou sur la touche ON de la télécommande pour la remise en service.
- ➔ Si les piles sont déchargées, remplacez les deux par des neuves (page 41).
- ➔ La télécommande ne fonctionnera pas s'il y a des obstacles entre elle et l'unité principale. Pointez la télécommande vers l'unité principale et utilisez-la dans un rayon de 7 m par rapport à la face avant (page 41).

Un téléviseur ou autre appareil ne fonctionne pas correctement.

- ➔ L'utilisation de la télécommande de cette unité peut amener certains téléviseurs télécommandables à fonctionner de façon incorrecte.

Le bouton VOLUME ne fonctionne pas.

- ➔ Lorsque « THRU » apparaît à l'écran, il n'est pas possible de régler le volume sur cette unité (page 49).
Modifiez si nécessaire le réglage de sortie de renvoi.

« CHK POWER! » apparaît à l'écran.

- ➔ Vérifiez que les 4 cordons d'alimentation secteur et CC sont correctement connectés (pages 36 et 37).

Comme le Grandioso C1X utilise un microcontrôleur, du bruit externe ou d'autres interférences peuvent entraîner son mauvais fonctionnement. Si cela se produit, mettez l'unité en veille, débranchez les cordons d'alimentation des prises et attendez environ une minute avant de reprendre le fonctionnement depuis le début.

Utilisez un chiffon sec et doux pour nettoyer la surface des unités. Pour les taches tenaces, utilisez un chiffon humide soigneusement essoré afin d'éliminer l'excès d'humidité.

- Ne vaporisez jamais de liquide directement sur ces unités.
- N'utilisez pas de lingettes de nettoyage imbibées de produit chimique, de diluant ou d'autres agents chimiques. Cela pourrait endommager les surfaces des unités.
- Évitez un contact prolongé des unités avec des matériaux caoutchouteux ou plastiques car ceux-ci peuvent endommager les boîtiers.



Par sécurité, débranchez les fiches d'alimentation des prises secteur avant de nettoyer les unités.

Note concernant la condensation

Si on fait passer ce produit d'un environnement extérieur froid à une pièce chauffée, ou si par exemple le chauffage vient d'être allumé dans la pièce où il se trouve, de la condensation peut se produire sur les pièces de fonctionnement, entraînant un fonctionnement incorrect. Si c'est le cas, laissez le produit allumé et attendez une ou deux heures. Cela devrait permettre un retour de la lecture à la normale.

Caractéristiques techniques

Entrées analogiques

Connecteurs

XLR/ESL-A	3 paires (L/R)
RCA	2 paires (L/R)

Impédance d'entrée

XLR	50 k Ω
RCA	68 k Ω

Sensibilité d'entrée 500 mV (pour la sortie nominale)

Tension d'entrée maximale admissible 12 V

Sorties analogiques

Connecteurs

XLR	2 paires (L/R)
ESL-A	2 paires (L/R)

Impédance de sortie..... 30 Ω

Utilisation de l'entrée et de la sortie XLR

Distorsion harmonique totale..... 0,00035 %

Réponse en fréquence..... 1 Hz – 150 kHz (–3,0 dB)

Rapport signal/bruit..... 120 dB (entrée 2 V, pondération A)

Gain..... +12 dB

Sortie nominale 2 V

Niveau de sortie maximal..... 17 V (1 kHz, 0,003 %)

Contrôle externe

RS-232C 1

Entrée de déclenchement (TRIG IN)..... 1

Connecteur Mini-jack 3,5 mm mono

Niveau d'entrée 12 V, 2 mA

Sortie de déclenchement (TRIG OUT)..... 2

Connecteur Mini-jack 3,5 mm mono

Niveau de sortie..... 12 V, 100 mA max. (total pour 2)

Générales

Alimentation électrique

Modèle Europe..... CA 220–240 V, 50/60 Hz

Modèle USA/Canada..... CA 120 V, 60 Hz

Modèle Corée..... CA 220 V, 60 Hz

Consommation électrique..... 15 W (L)/15 W (R)

En veille

Réglage de la prise d'entrée pour
télécommande (RS-232C) sur OFF..... 0,5 W ou moins

Réglage de la prise d'entrée pour
télécommande (RS-232C) sur ON..... 0,8 W ou moins

Dimensions externes (L x H x P, saillies incluses)

Unité principale..... 445 x 132 x 449 mm

Unité d'alimentation..... 445 x 132 x 452 mm

Poids

Unité principale..... 20,2 kg

Unité d'alimentation..... 29,0 kg

Température de fonctionnement..... +5 °C à +35 °C

Accessoires fournis

Cordons d'alimentation x 2

Cordons d'alimentation CC x 2

Télécommande (RC-1334) x 1

Piles pour télécommande (AA) x 2

Patins en feutre x 8

Mode d'emploi (ce document) x 1

Carte de garantie x 1

- Caractéristiques techniques et aspect sont sujets à changements sans préavis.
- Le poids et les dimensions sont des valeurs approchées.
- Les illustrations de ce mode d'emploi peuvent légèrement différer des modèles de production.

Unité principale

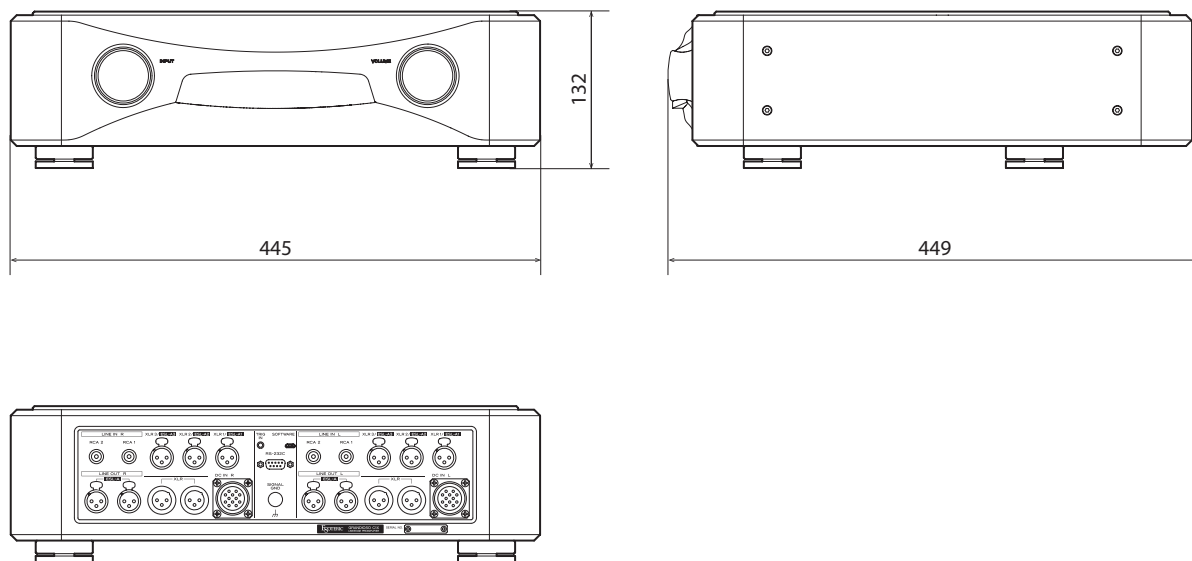
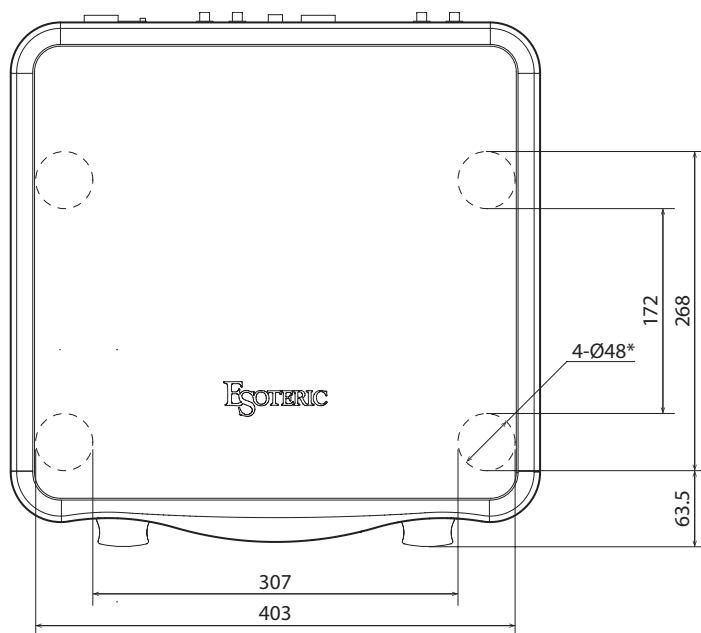


Schéma de positionnement des pieds



Les dimensions sont en millimètres (mm)

*Pieds de 48 mm de diamètre x 4

Unité d'alimentation

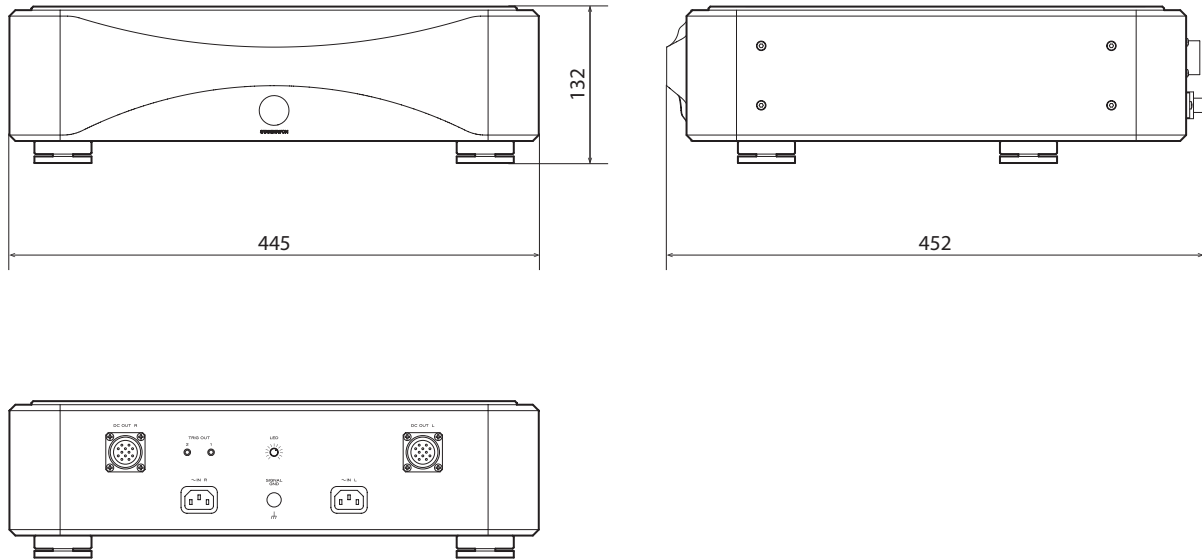
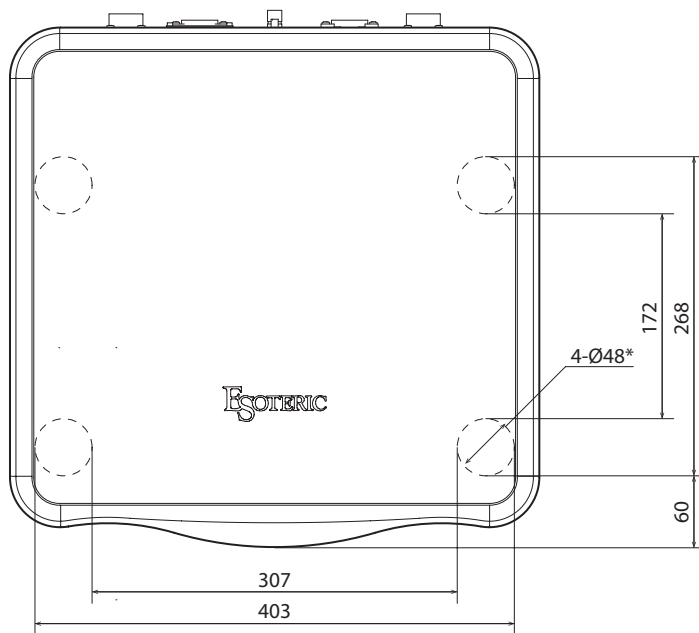


Schéma de positionnement des pieds



Les dimensions sont en millimètres (mm)
*Pieds de 48 mm de diamètre x 4

INSTRUCCIONES IMPORTANTES DE SEGURIDAD



CAUTION
RISK OF ELECTRIC SHOCK
DO NOT OPEN



PRECAUCIÓN: PARA REDUCIR EL RIESGO DE DESCARGA ELÉCTRICA, NO quite la cubierta (NI EL PANEL POSTERIOR). NO HAY PIEZAS INTERNAS QUE EL USUARIO PUEDA REPARAR. PARA REPARACIONES, REMÍTASE A UN SERVICIO TÉCNICO CUALIFICADO.



El símbolo del rayo acabado en flecha dentro de un triángulo equilátero alerta al usuario de la presencia de un "voltaje peligroso" sin aislar dentro de la carcasa del producto que puede ser de magnitud suficiente como para constituir riesgo de descarga eléctrica para las personas.



El signo de exclamación dentro de un triángulo equilátero alerta al usuario de la presencia de importantes instrucciones de funcionamiento y mantenimiento en la literatura que acompaña al aparato.

AVISO: PARA EVITAR RIESGO DE INCENDIO O DESCARGAS ELÉCTRICAS, NO EXPONGA ESTE APARATO A LA LLUVIA NI A LA HUMEDAD.

PRECAUCIÓN

- NO quite las carcasas externas ni deje al aire la electrónica. ¡EN EL INTERIOR NO HAY PIEZAS QUE EL USUARIO PUEDA MANIPULAR!
- SI EXPERIMENTA PROBLEMAS CON ESTE PRODUCTO, PÓNGASE EN CONTACTO CON EL ESTABLECIMIENTO DONDE ADQUIRIÓ LA UNIDAD PARA SOLICITAR SERVICIO TÉCNICO. NO UTILICE EL APARATO HASTA QUE HAYA SIDO REPARADO.
- EL USO DE CONTROLES, AJUSTES O PROCEDIMIENTOS QUE NO SEAN LOS ESPECIFICADOS EN ESTE MANUAL PUEDE CAUSAR EXPOSICIÓN A RADIACIONES PELIGROSAS.

- 1) Lea estas instrucciones.
- 2) Conserve estas instrucciones.
- 3) Cumpla con lo indicado en los avisos.
- 4) Siga todas las instrucciones.
- 5) No utilice este aparato cerca del agua.
- 6) Límpielo solo con un trapo seco.
- 7) No bloquee ninguna de las ranuras de ventilación. Instale este aparato de acuerdo con las instrucciones del fabricante.
- 8) No instale este aparato cerca de fuentes de calor como radiadores, calentadores, hornos u otros aparatos (incluyendo amplificadores) que produzcan calor.
- 9) No elimine el sistema de seguridad que supone el enchufe polarizado o con toma de tierra. Un enchufe polarizado tiene dos bornes, uno más ancho que el otro. Uno con toma de tierra tiene dos bornes iguales y una tercera lámina para la conexión a tierra. El borne ancho o la lámina se incluyen para su seguridad. Si el enchufe que venga con la unidad no encaja en su salida de corriente, haga que un electricista cambie su salida anticuada.

10) Evite que el cable de corriente quede de forma que pueda ser pisado o quedar retorcido o aplastado, especialmente en los enchufes, receptáculos o en el punto en el que salen del aparato.

11) Use solo accesorios / complementos especificados por el fabricante.

12) Utilice este aparato solo con un soporte, trípode o bastidor especificado por el fabricante o que se venda con el propio aparato. Cuando utilice un bastidor con ruedas, tenga cuidado al mover la combinación de aparato/bastidor para evitar que vuelque y puedan producirse daños.



13) Desconecte este aparato de la corriente durante las tormentas eléctricas o cuando no lo vaya a usar durante un periodo de tiempo largo.

14) Dirija cualquier posible reparación solo al servicio técnico oficial. Este aparato deberá ser reparado si se ha dañado de alguna forma, como por ejemplo si el cable de corriente o el enchufe están rotos, si ha sido derramado algún líquido sobre la unidad o algún objeto ha sido introducido en ella, si ha quedado expuesto a la lluvia o la humedad, si no funciona normalmente o si ha caído al suelo en algún momento.

- Este aparato libera corriente nominal no válida para el funcionamiento a través de la toma de corriente, aún cuando el interruptor de encendido y activación (POWER o STANDBY/ON) no esté en la posición de encendido (ON).
- El enchufe que se conecta a la red es el dispositivo de desconexión, por lo que deberá permanecer siempre en perfecto estado de uso.
- Deberá llevar cuidado si utiliza auriculares con este producto, ya que una excesiva presión sonora (volumen) procedente de los mismos puede causar pérdidas de audición.

AVISO

Los productos con construcción de Clase **I** están equipados con un cable de alimentación que tiene conexión de tierra. El cable de estos productos deberá conectarse a una toma de corriente que tenga conexión de protección de tierra.

EN EE. UU./CANADÁ, UTILICE SOLO ALIMENTACIÓN CON CORRIENTE DE 120 V.

PRECAUCIÓN

- No exponga este aparato a salpicaduras ni goteras.
- No coloque objetos que contengan líquidos, como por ejemplo jarrones, sobre el aparato.
- No instale este aparato en lugares cerrados tales como estanterías o similares.
- Este aparato debe situarse lo suficientemente cerca de una toma de electricidad como para poder alcanzar fácilmente el cable de corriente en cualquier momento.
- Si el producto utiliza pilas (esto incluye las pilas instaladas y los "packs" de pilas), se evitará su exposición directa al sol, al fuego o a cualquier otra fuente de calor excesivo.
- PRECAUCIÓN con los productos que emplean baterías de litio reemplazables: existe peligro de explosión si la batería se reemplaza por otra de tipo incorrecto. Reemplácela sólo por otra igual o de tipo equivalente.

Precauciones con respecto a las pilas

Un mal uso de las pilas puede hacer que se rompan o que tengan fugas y ello causar fuego, lesiones u oxidación en los objetos cercanos. Por favor, lea y observe las siguientes precauciones cuidadosamente.

- Asegúrese de introducir las pilas siempre con la correcta orientación de los polos positivo (+) y negativo (-).
- Use pilas del mismo tipo. Nunca utilice juntas pilas de tipos diferentes.
- Si no va a utilizar el mando a distancia durante mucho tiempo (más de un mes), quite las pilas para evitar que se sulfaten y tengan fugas.
- Si las pilas presentan fugas, limpie el líquido que haya caído en el compartimento y sustituya las pilas por otras nuevas.
- No utilice pilas que no sean del tipo especificado. No mezcle pilas nuevas con viejas ni utilice juntas pilas de tipos distintos.
- No caliente ni desarme las pilas. Nunca tire pilas al fuego ni al agua.
- No transporte ni almacene pilas con otros objetos metálicos. Las pilas podrían producir cortocircuitos, perder líquido o explotar.
- Nunca recargue una pila si no está completamente seguro de que es una pila recargable.
- No exponga las pilas a una presión atmosférica extremadamente baja, ya que esto podría causar una explosión o fuga de líquidos o gases inflamables.

Declaración de conformidad del suministrador



Número de modelo: Grandioso C1X

Marca comercial: ESOTERIC

Parte responsable: 11 Trading Company, LLC

Dirección: 3502 Woodview Trace #200 Indianapolis, IN 46268 U.S.A.

URL: <https://11tradingcompany.com/contact-us/>

Este dispositivo cumple con el apartado 15 de las Normas de la FCC.

Su funcionamiento está sujeto a las dos siguientes condiciones:

- 1) Este dispositivo no puede causar interferencias perjudiciales
- 2) Este dispositivo debe aceptar cualquier interferencia recibida, incluidas interferencias que puedan causar anomalías de funcionamiento.

Información

Se ha comprobado que este equipo cumple con los límites establecidos para los dispositivos digitales de Clase B, de acuerdo con el apartado 15 de las Normas de la FCC. Estos límites están diseñados para proporcionar una protección razonable contra interferencias perjudiciales en instalaciones residenciales. Este equipo genera, utiliza y puede irradiar energía de radiofrecuencia y, si no se instala y se utiliza de acuerdo con las instrucciones, puede causar interferencias perjudiciales en las comunicaciones por radio. Sin embargo, no se puede garantizar que dichas interferencias no se produzcan en instalaciones particulares. Si este equipo causa interferencias perjudiciales en la recepción de radio o televisión, que se comprueban apagando y encendiendo el equipo, se recomienda al usuario que intente corregirla mediante una o varias de las siguientes medidas:

- Reoriente o recoloque el equipo y/o la antena receptora.
- Aumente la separación entre el equipo y el receptor.
- Conecte el equipo a una toma de electricidad situada en un circuito eléctrico diferente al del receptor.
- Consulte al distribuidor o solicite ayuda a un técnico de radio/TV con experiencia.

PRECAUCIÓN

Cualquier cambio o modificación efectuada en este equipo que no haya sido expresamente aprobada por la parte responsable del cumplimiento de los requisitos exigidos podría invalidar el derecho del usuario a utilizar el equipo.

Modelo para Europa



Este producto cumple con las exigencias de las directivas europeas y con los reglamentos de la Comisión Europea.

Para consumidores europeos

Deshacerse de aparatos eléctricos, electrónicos, pilas/baterías y acumuladores

- a) Todos los aparatos eléctricos y electrónicos, y pilas/baterías y acumuladores gastados, deben ser eliminados separados del resto de basura común y únicamente en los "puntos limpios" o bajo los procedimientos especificados por el gobierno o autoridades municipales locales.
- b) Con la eliminación correcta de los equipos eléctricos y electrónicos, y de pilas/baterías y acumuladores gastados, estará ayudando a conservar recursos muy valiosos y a evitar los posibles efectos negativos en la salud humana y en el medio ambiente.
- c) La eliminación incorrecta de los equipos eléctricos y electrónicos, y pilas/baterías y acumuladores, puede producir efectos muy dañinos en el medio ambiente y en la salud humana a causa de las sustancias peligrosas que pueden encontrarse en estos equipos.
- d) El símbolo de Eliminación de Aparatos Eléctricos y Electrónicos (WEEE en inglés), identificado por cubos de basura con ruedas tachados, indican que los equipos eléctricos y electrónicos, y las pilas/baterías y acumuladores, deben ser eliminados de forma totalmente independiente con respecto a la basura doméstica.
- Si una pila/batería o un acumulador contienen más cantidad de los valores especificados de plomo (Pb), mercurio (Hg), y/o cadmio (Cd) según está definido en la Directiva relativa a las pilas (2006/66/CE, 2013/56/UE), entonces los símbolos químicos correspondientes a estos elementos estarán indicados debajo del símbolo WEEE.
- e) Existen sistemas para la eliminación y recogida a disposición del usuario final. Si necesita más información sobre cómo deshacerse de aparatos eléctricos y electrónicos antiguos, así como de pilas/baterías y acumuladores, póngase en contacto con su ayuntamiento, con la correspondiente empresa del servicio de recogida de residuos o con el establecimiento donde adquirió ese aparato.



Pb, Hg, Cd

ESOTERIC is a trademark of TEAC CORPORATION, registered in the U.S. and other countries.

Los nombres de otras compañías, nombres de productos y logos que aparecen en este documento son marcas comerciales o registradas de sus respectivos propietarios.

Gracias por adquirir este producto ESOTERIC.

Lea este manual atentamente para obtener el mejor rendimiento de este producto. Después de leerlo, guárdelo en un lugar seguro, junto con la tarjeta de la garantía, para futuras consultas.

INSTRUCCIONES IMPORTANTES DE SEGURIDAD	55
Antes de su utilización	59
Accesorios incluidos	59
Nota sobre las patas puntiformes	59
Precauciones de uso	59
Conexiones (unidad principal)	60
Conexiones (unidad de alimentación)	62
Conexión a través de ES-LINK Analog	64
Acerca de ES-LINK Analog	64
Conexión de dispositivos fuente a través de ES-LINK Analog ...	64
Conexión a una etapa de potencia a través de ES-LINK Analog ...	64
Partes y funciones de la unidad principal	65
Partes y funciones de la unidad de alimentación	66
Notas sobre el mando a distancia	67
Partes y funciones del mando a distancia	68
Funcionamiento básico	69
Cómo poner el Grandioso C1X en reposo (standby)	70
Atenuador de pantalla (DIMMER)	70
Silenciar la salida	70
Ajustes de configuración	71
Funcionamiento básico	71
MENU 1	72
Ajuste de balance izquierda y derecha	72
Nivel de salida	72
Nombre de la fuente de entrada	72
MENU 2	73
Modo de volumen	73
Tiempo de aparición/desaparición gradual	73
Ajuste del nivel de silenciamiento	73
Ajuste del oscurecimiento automático de la pantalla	73
Función de ahorro de energía automático	73
Iluminación	74
Ajuste de la intensidad de la iluminación de los mandos	74
Visualización del estado de operatividad detenida de la CPU ...	74
Abrir el menú 3 de ajustes	74
MENU 3	75
Modo de funcionamiento de los terminales de entrada	75
Salida de retransmisión	75
Ajuste del terminal de entrada de control remoto (RS-232C) ...	76
Ajuste de salida de señales de disparador	76
Restablecer los ajustes de fábrica	76
F/W ** **	76
Solución de problemas	77
Mantenimiento	77
Especificaciones	78
Dibujos con las dimensiones	79
Unidad principal	79
Diagrama de colocación de las patas	79
Unidad de alimentación	80
Diagrama de colocación de las patas	80

Accesorios incluidos

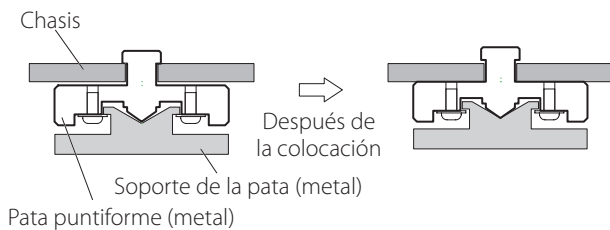
Compruebe que todos los accesorios enumerados a continuación están incluidos en la caja. Por favor, póngase en contacto con el establecimiento donde adquirió este producto si falta cualquiera de estos accesorios o si alguno ha sufrido desperfectos durante el transporte.

- Cables de corriente × 2
- Cables de corriente continua × 2
- Mando a distancia (RC-1334) × 1
- Pilas para el mando a distancia (AA) × 2
- Almohadillas de fieltro × 8
- Manual del usuario (este documento) × 1
- Tarjeta de garantía × 1

Nota sobre las patas puntiformes

La unidad principal y la unidad de alimentación tienen patas puntiformes metálicas de alta precisión que están sujetas a las placas inferiores.

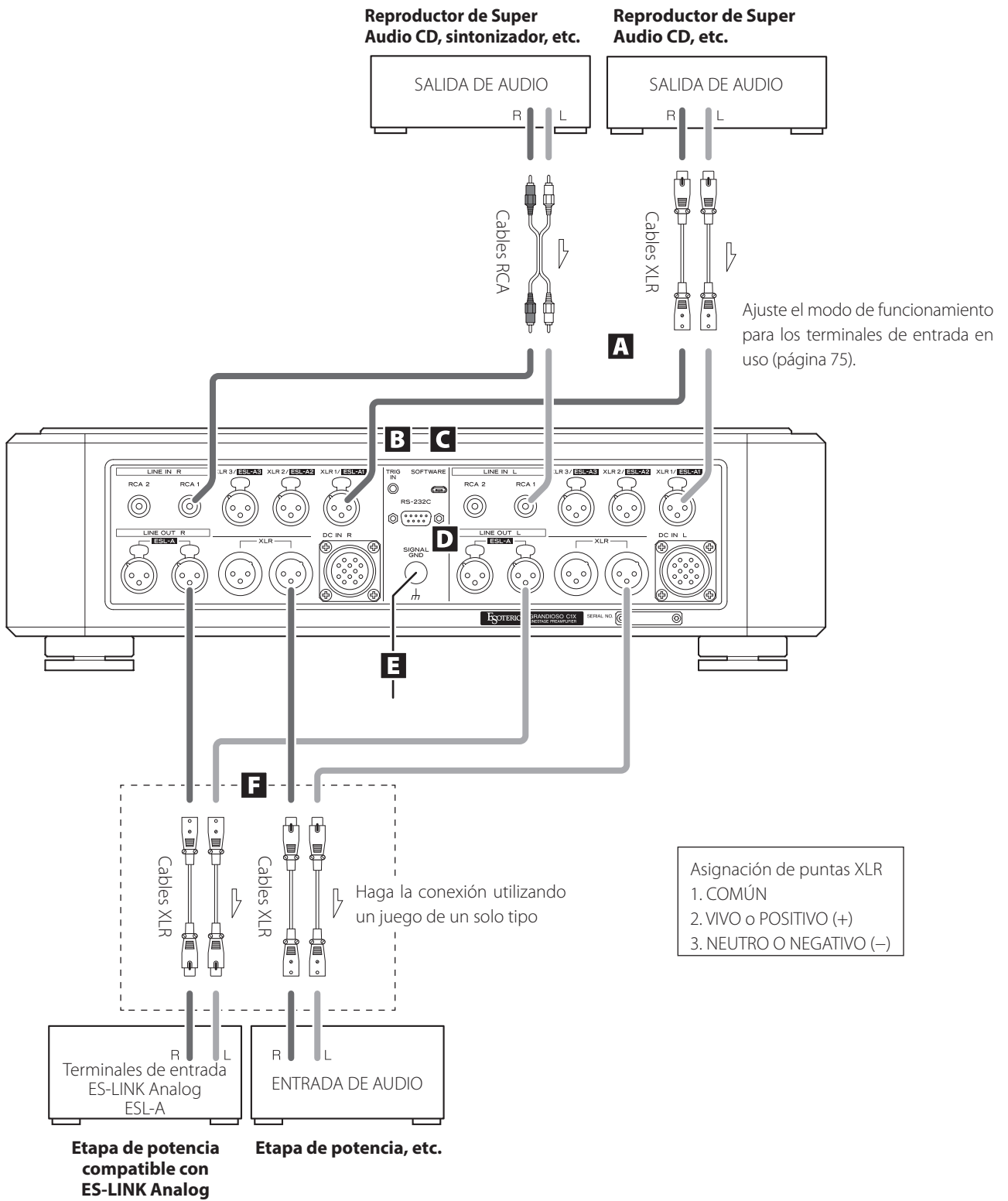
Las patas puntiformes y sus soportes están sueltos, pero son estos soportes los que soportan las unidades cuando se colocan en su sitio, dispersando de manera efectiva las vibraciones.



- Si queda espacio entre el chasis y una pata puntiforme después de la colocación, gire la pata puntiforme en la dirección que aprieta el tornillo para eliminar el espacio.
- Coloque las almohadillas de fieltro incluidas en la parte inferior de los soportes de las patas para evitar rayar la superficie sobre la que se sitúan las unidades.
- Estas unidades pesan bastante, por lo que deberá tener cuidado para evitar lesiones durante la instalación.

- No instale estas unidades donde puedan calentarse. Evite lugares que estén expuestos a la luz solar directa o cercanos a un radiador, calefactor, estufa o cualquier otro aparato de calefacción. Tampoco las coloque encima de amplificadores u otros equipos que generen calor. Si lo hace, podrían decolorarse o deformarse.
- Evite lugares que estén sujetos a vibraciones o expuestos a excesivo polvo, frío o humedad.
- Para permitir una buena disipación del calor, deje al menos 20 cm entre estas unidades y las paredes u otros componentes del equipo cuando las instale.
Si las coloca en un rack, tome precauciones para evitar un sobrecalentamiento, dejando al menos 5 cm libres por encima de cada una de las unidades y 10 cm por detrás. Si no deja estos espacios libres, el calor puede acumularse en su interior y provocar fuego.
- No instale estas unidades mirando hacia arriba ni de lado.
- Coloque estas unidades en lugares estables cerca del equipo de audio con el que vaya a utilizarlas.
- No coloque ningún paño ni tela encima de estas unidades ni las ponga sobre una cama o una moqueta o alfombra gruesa.
- No coloque nada encima de estas unidades, ni siquiera discos CD, CD-R, discos de vinilo (LP) o cintas de cassette.
- El voltaje suministrado a la unidad de alimentación deberá ser el mismo que el voltaje impreso en su parte posterior. Si tiene dudas al respecto, consulte a un electricista.
- No mueva las unidades durante su utilización.
- No abra las carcasas porque podría causar daños en los circuitos o una descarga eléctrica. En caso de que se introduzca un objeto extraño en una unidad, contacte con su distribuidor.
- Cuando desenchufe cada cable de corriente de la toma de electricidad, tire siempre directamente del conector. Nunca tire del cable.

Conexiones (unidad principal)



A Terminales de entrada analógicos (LINE IN)

Conecte aquí los terminales de salida analógicos de reproductores de Super Audio CD, reproductores de DVD, pletinas de cassette, sintonizadores y otros equipos.

Conecte el terminal R (derecho) de uno de los pares de esta unidad al terminal derecho (R) de un dispositivo de salida, y el terminal L (izquierdo) al terminal izquierdo (L) del dispositivo de salida.

XLR/ESL-A: cables XLR balanceados

Inserte los conectores XLR balanceados hasta que las palancas de los terminales queden bloqueadas. Presione estas palancas y tire de los conectores para desconectarlos.

RCA: cables RCA

Conecte los conectores RCA blancos a los terminales blancos (L, izquierda), y los conectores RCA rojos (R, derecha) a los terminales rojos.

- Esta unidad no lleva un ecualizador para platos giradiscos ("phono"), por lo que no se pueden conectar a ella platos giradiscos directamente.
Para conectar un plato giradiscos a esta unidad, hágalo a través de un ecualizador para platos giradiscos, por ejemplo.
- Utilice cables de los disponibles en establecimientos comerciales para las conexiones.

B Terminal de entrada de disparador (TRIG IN)

Utilice este terminal para controlar la alimentación con una fuente externa.

No conecte nada a este terminal cuando no se esté utilizando.

C Puerto de mantenimiento SOFTWARE

Se utiliza para mantenimiento. No conecte nada a este puerto a menos que reciba instrucciones para hacerlo por parte de nuestro servicio técnico.

D Terminal de entrada de control remoto (RS-232C)

Este terminal de control es para uso por profesionales (instaladores de sistemas personalizados).

E Terminal de tierra SIGNAL GND

La utilización de un cable con aislamiento de los que se pueden adquirir en establecimientos comerciales para conectar este terminal al terminal de tierra de un reproductor de Super Audio CD, etapa de potencia u otro dispositivo podría mejorar la calidad de audio.

- Este terminal no es una toma de tierra de seguridad eléctrica.

F Terminales de salida analógicos (LINE OUT)

Por estos terminales sale audio analógico en 2 canales.

Conéctelos a los terminales de entrada analógicos de una etapa de potencia, por ejemplo.

Conecte el terminal R (derecho) de uno de los pares de esta unidad al terminal derecho (R) de un dispositivo de entrada, y el terminal L (izquierdo) del mismo par de esta unidad al terminal izquierdo (L) del dispositivo de entrada.

XLR/ESL-A: cables XLR balanceados

Inserte los conectores XLR balanceados hasta que las palancas de los terminales queden bloqueadas.

- Utilice cables de los disponibles en establecimientos comerciales para las conexiones.
- En cada par, ambos terminales XLR emiten las mismas señales. Ambos terminales pueden conectarse a etapas de potencia, por ejemplo. Esto es igualmente válido para los terminales ESL-A.

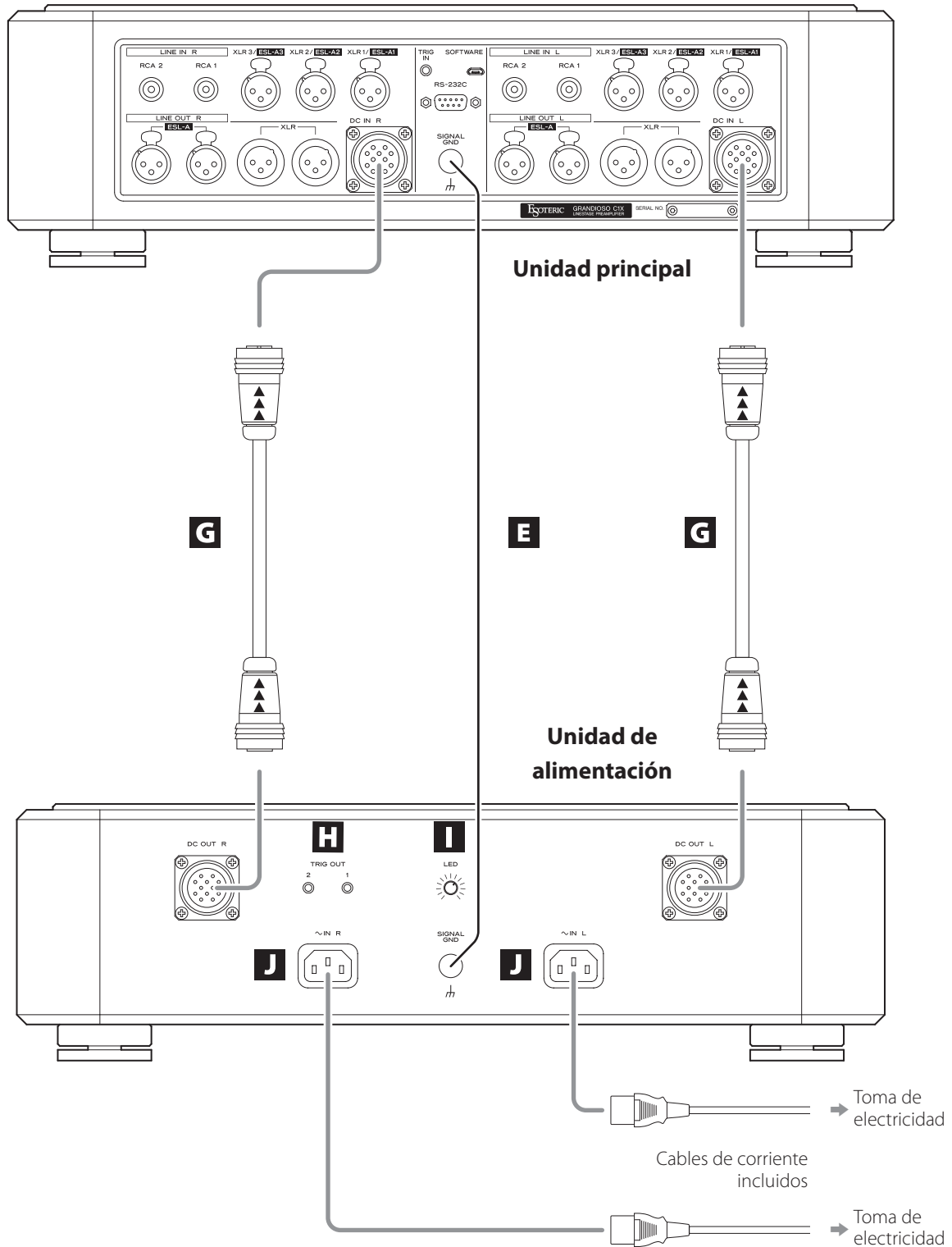
ATENCIÓN

Los terminales de salida ESL-A de esta unidad son terminales hembra para evitar la conexión accidental con terminales de salida XLR.

Conexiones (unidad de alimentación)

Precauciones al hacer las conexiones

- Haga primero todas las demás conexiones antes de conectar los enchufes de corriente a las tomas de electricidad.
- Lea los manuales de todos los dispositivos que se vayan a conectar y siga sus instrucciones.



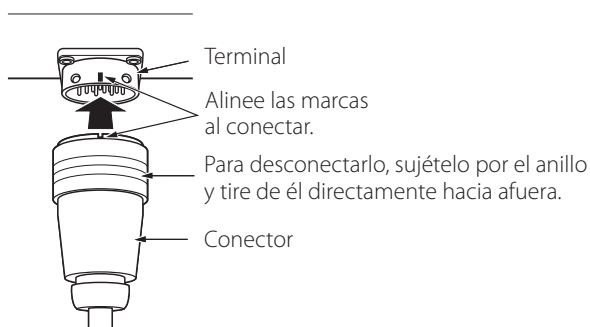
G Terminales de entrada/salida de corriente continua (DC IN/DC OUT)

Utilice los 2 cables de corriente continua (CC) incluidos para conectar los terminales de entrada de corriente continua (DC IN) de la unidad principal con los terminales de salida de corriente continua (DC OUT) de la unidad de alimentación.

DC OUT L → DC IN L

DC OUT R → DC IN R

- Los cables de corriente enchufados a entradas de corriente alterna (CA) siempre deben desenchufarse de las tomas de electricidad antes de conectar o desconectar cables de corriente continua (CC).
- Los cables de corriente continua llevan impresas unas flechas. Conéctelos de manera que las flechas apunten en la dirección que se muestra en la ilustración de la página 62. Compruebe la orientación de las puntas y de las flechas de cada uno de los cables de corriente continua y sujételos siempre por el conector. Alinee las marcas del conector y el terminal y empuje para insertarlo por completo hasta notar un "clic". Para desconectarlo, sujételo por el anillo y tire de él hacia afuera. Al conectar o desconectar los cables de corriente, no tuerza ni mueva hacia los lados los conectores.
- Tenga cuidado de no engancharse los dedos en el anillo al conectar o desconectar los cables de corriente continua.



⚠ Nunca los conecte a nada que no sea una unidad principal de un Grandioso C1X. Si lo hace, puede ocasionar daños.

H Terminales de salida de disparador (TRIG OUT)

Estos terminales emiten señales de disparador vinculadas a operaciones de alimentación de este producto.

No conecte nada a estos terminales cuando no se estén utilizando.

- Para usar estos terminales, el ajuste de salida de señales de disparador TRIG_O deberá estar configurado en "ON" (activado).

I Mando de ajuste del brillo del LED

Gírelo para ajustar el brillo del indicador de encendido.

J Entradas para los cables de corriente alterna (~IN)

Conecte en estas entradas los cables de corriente alterna (CA) incluidos. Termine todas las conexiones antes de enchufar los cables de corriente a las tomas de electricidad.

⚠ Utilice exclusivamente cables de corriente de marca ESOTERIC. El uso de otros cables de corriente puede provocar fuego o descargas eléctricas.

⚠ Desenchufe los cables de corriente de las tomas de electricidad si no va a utilizar el Grandioso C1X durante un largo periodo de tiempo.

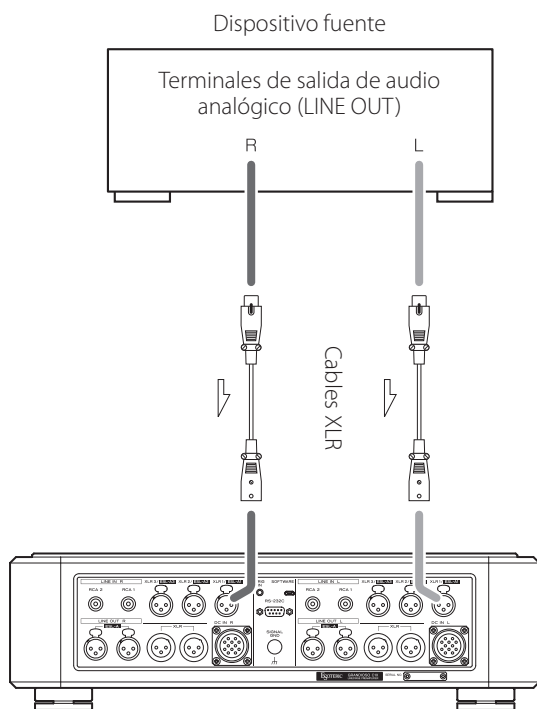
Conexión a través de ES-LINK Analog

Acerca de ES-LINK Analog

El método de transmisión de corriente utiliza el rendimiento de circuitos con buffer HCLD que tienen la capacidad de suministrar altos valores de corriente a gran velocidad. Esto suprime el impacto de la impedancia en los recorridos de las señales, lo que permite una transmisión pura y potente de las señales.

- Para la conexión se utilizan cables balanceados normales (con conectores XLR). Sin embargo, estos terminales solo se pueden utilizar con dispositivos compatibles, ya que el formato de transmisión es exclusivo.

Conexión de dispositivos fuente a través de ES-LINK Analog



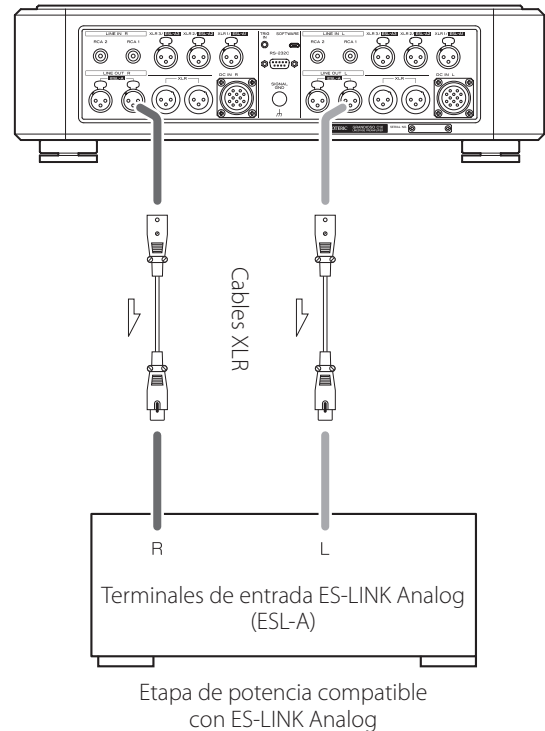
ATENCIÓN

Configure el ajuste de salida analógica en ESLA en el dispositivo fuente antes de conectarlo.

Utilice cables XLR para conectar los terminales de salida de audio analógico (XLR/ESL-A) del dispositivo fuente a los terminales de entrada de audio analógico (ESL-A) de esta unidad.

- Configure el modo de funcionamiento en ESLA para los terminales de entrada de esta unidad que estén conectados al dispositivo fuente (página 75).
- También puede hacer la conexión mediante los terminales XLR o RCA. Seleccione el tipo de conexión que proporcione la calidad de audio que prefiera.

Conexión a una etapa de potencia a través de ES-LINK Analog

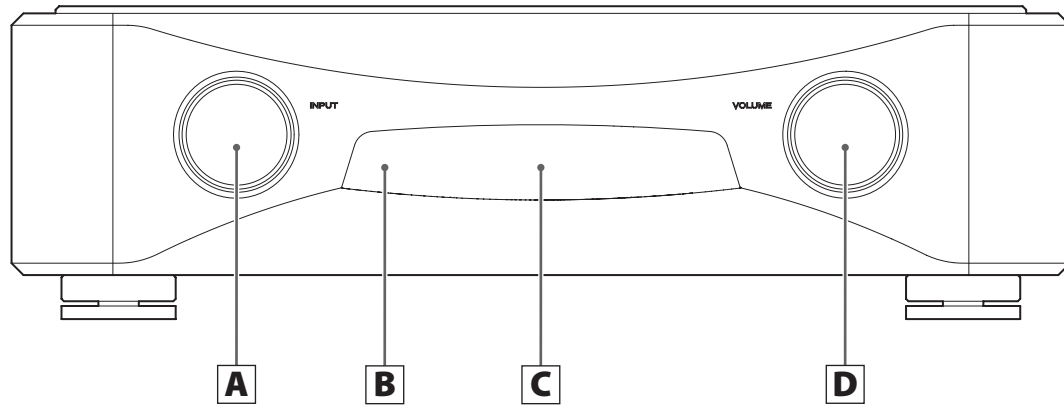


Utilice cables XLR para conectar los terminales de salida de audio analógico (ESL-A) de esta unidad a los terminales de entrada ES-LINK Analog (ESL-A) de la etapa de potencia.

- Ajuste el selector de entrada de la etapa de potencia en ESLA.
- No es necesario ningún ajuste en esta unidad.

ATENCIÓN

Los terminales ESL-A de salida de esta unidad son terminales hembra para evitar la conexión accidental con terminales de salida XLR.



A Mando INPUT

Gire este mando para seleccionar la entrada activa. Seleccione el terminal al que esté conectado el dispositivo que desee reproducir.

- Se pueden cambiar los nombres que se muestran en la pantalla para los terminales (página 72).

B Receptor de las señales del mando a distancia

Recibe señales del mando a distancia. Cuando utilice el mando a distancia, diríjalo hacia este panel receptor (página 67).

C Pantalla

Muestra el nombre de la fuente de entrada activa en ese momento, el volumen, los apartados de configuración, etc.

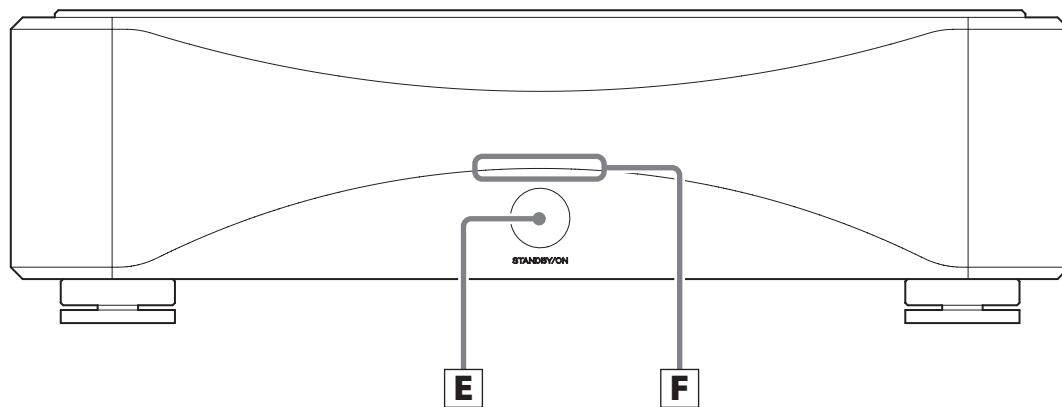
D Mando VOLUME

Utilícelo para ajustar el volumen.

Gire este mando hacia la derecha para subir el volumen y hacia la izquierda para bajarlo.

- Cuando aparece "THRU" en la pantalla, no se puede ajustar el volumen en esta unidad (página 75).

⚠ Los ruidos repentinos a alto volumen pueden causar lesiones auditivas y otros problemas. Ponga siempre el volumen al mínimo antes de comenzar la reproducción y ajústelo a un nivel apropiado después de que esta haya empezado.



E Botón STANDBY/ON

Púlselo para encender el Grandioso C1X o ponerlo en modo de reposo (standby).

F Indicador de encendido

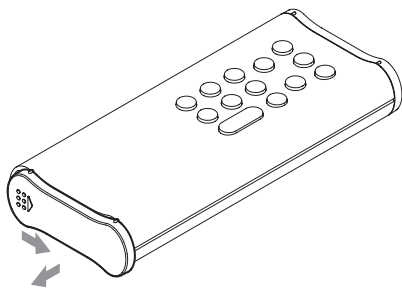
Se ilumina cuando la unidad está encendida.

Precauciones al utilizar el mando a distancia

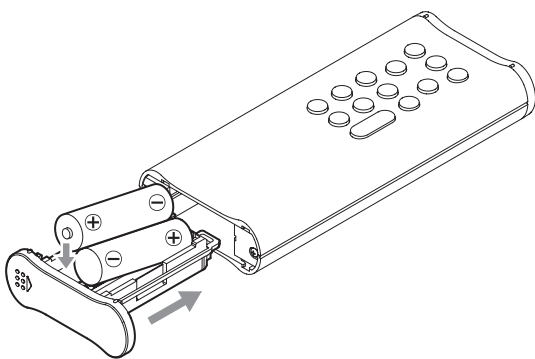
- Cuando utilice el mando a distancia, apunte con él hacia el receptor de la señal del mando a distancia que hay en la unidad principal a una distancia de 7 m o menos. No coloque obstáculos entre la unidad principal y el mando a distancia.
- El mando a distancia podría no funcionar si el receptor de la señal del mando a distancia está expuesto a la luz solar directamente o a una luz intensa.
- Tenga cuidado, ya que el uso de este mando a distancia podría causar el funcionamiento involuntario de otros dispositivos que puedan ser controlados por rayos infrarrojos.

Instalación de las pilas

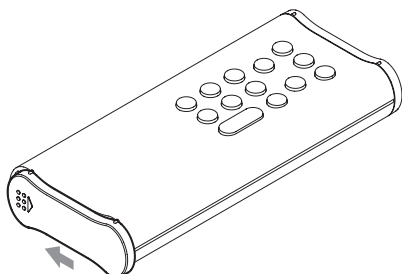
- 1** Deslice el extremo inferior del mando a distancia como se muestra en la ilustración y extraiga el compartimento de las pilas.



- 2** Inserte dos pilas AA con los polos \oplus y \ominus orientados como se muestra en el compartimento y vuelva a colocar el compartimento en su sitio.



- 3** Deslice el extremo inferior del mando a distancia como se muestra en la ilustración para cerrar el compartimento de las pilas.



Cuándo sustituir las pilas

Si la distancia requerida entre el mando a distancia y la unidad principal disminuye o si la unidad principal deja de responder a los botones del mando a distancia, cambie ambas pilas por otras nuevas. Deshágase de las pilas usadas según las instrucciones que figuren en las mismas o los requisitos establecidos por las autoridades locales.

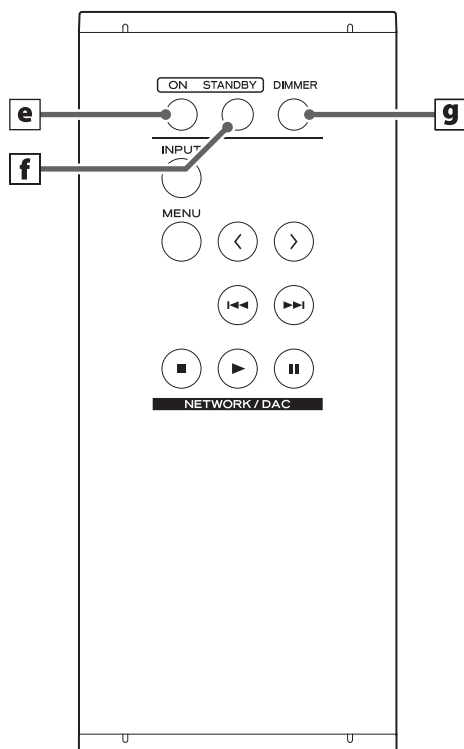
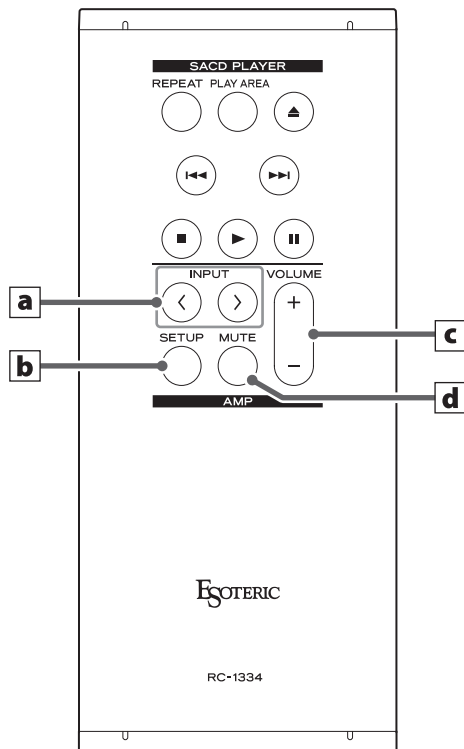


Precauciones con respecto a las pilas

Un mal uso de las pilas podría hacer que se rompan o se sulfaten (pierdan líquido), lo que podría originar fuego, lesiones o la oxidación de materiales cercanos.

Por favor, lea y observe las instrucciones de las precauciones de la página 56 con atención.

Partes y funciones del mando a distancia



a Botones INPUT (</>)

Se utilizan para cambiar entre fuentes de entrada. Seleccione el terminal al que esté conectado el dispositivo que desee reproducir.

Cuando se abre un menú de ajustes, estos botones se utilizan para cambiar los valores de los ajustes.

Cuando introduzca un nombre de fuente, utilice estos botones para seleccionar caracteres (página 72).

b Botón SETUP

Se utiliza con MENU 1, MENU 2 y MENU 3 (página 71).

Cuando introduzca un nombre de fuente, utilice este botón para mover el cursor hacia la izquierda (página 72).

c Botones VOLUME (+/-)

Utilícelos para ajustar el volumen. Pulse el botón + para subir el volumen y el botón - para bajarlo.

- Cuando aparece "THRU" en la pantalla, no se puede ajustar el volumen en este mando a distancia (página 75).
- En el modo de ajustes de configuración, púselo para completar el cambio de los ajustes y volver a mostrar la pantalla normal (página 71).

d Botón MUTE

Pulse este botón para silenciar temporalmente el sonido. Vuelva a pulsarlo otra vez para restaurar el ajuste de volumen.

Cuando introduzca un nombre de fuente, utilice este botón para mover el cursor hacia la derecha (página 72).

- Cuando el sonido está silenciado, en la pantalla parpadea "MUTE".

e Botón ON

Púselo para encender el Grandioso C1X.

f Botón STANDBY

Púselo para poner el Grandioso C1X en modo de reposo (standby).

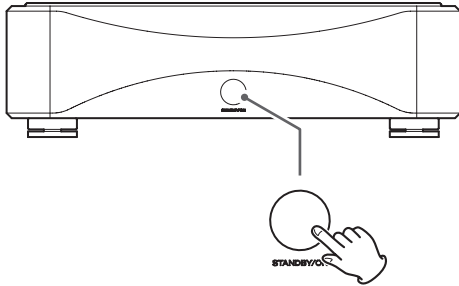
g Botón DIMMER

Se utiliza para ajustar el brillo de la pantalla de la unidad principal (página 70).

- Los botones no explicados aquí no funcionan con el Grandioso C1X.
- Este mando a distancia también se puede utilizar para otros productos ESOTERIC.

1 Encienda algún dispositivo fuente de entrada que esté conectado a la unidad principal.

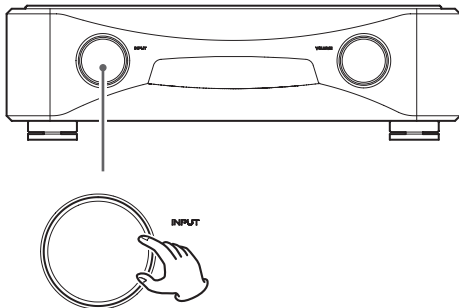
2 Pulse el botón **STANDBY/ON** para encender el Grandioso C1X.



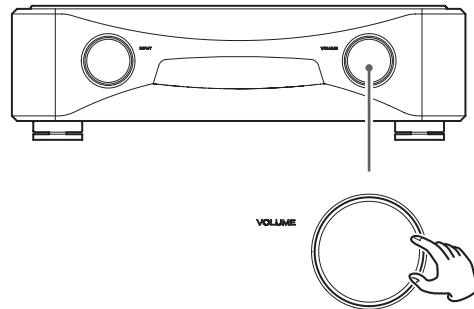
Cuando está encendido, se iluminan el indicador de alimentación y la pantalla.

- Encienda la etapa de potencia después de encender el Grandioso C1X.

3 Gire el mando **INPUT** para seleccionar una fuente de entrada.



4 Reproduzca la fuente, y a continuación ajuste el volumen.



! Los ruidos repentinos a alto volumen pueden causar lesiones auditivas y otros problemas. Ponga siempre el volumen al mínimo antes de comenzar la reproducción y ajústelo a un nivel apropiado después de que esta haya empezado.

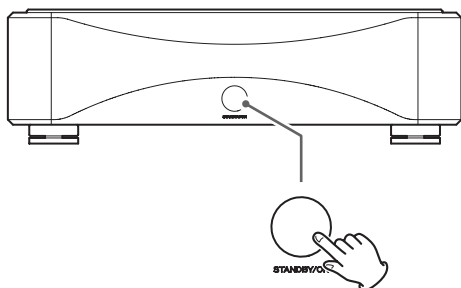
Cómo poner el Grandioso C1X en reposo (standby)

Si la unidad se apaga de repente, puede producirse ruido en los altavoces. Siga los pasos indicados a continuación para poner la unidad en reposo (standby).

1 Si algún dispositivo conectado está reproduciendo, detenga la reproducción.

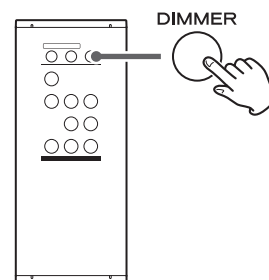
2 Apague la etapa de potencia.

3 Pulse el botón **STANDBY/ON** para poner el Grandioso C1X en modo de reposo (standby).

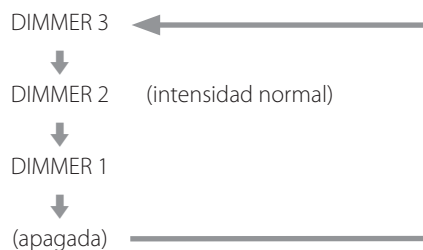


4 Apague el dispositivo fuente de entrada conectado.

Atenuador de pantalla (DIMMER)

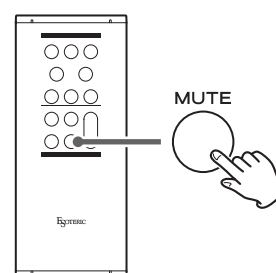


Utilice el botón DIMMER para ajustar la intensidad de iluminación de la pantalla de la unidad principal.



- Aunque el ajuste sea "apagada", la pantalla se iluminará con la intensidad normal durante unos segundos cuando se pulse un botón o se gire un mando.
- Incluso aunque el ajuste sea DIMMER 1 o "apagada", los menús de configuración y los mensajes de error se mostrarán con la intensidad normal (DIMMER 2).
- Si se mantiene pulsado el botón, el brillo se ajustará en DIMMER 2 (brillo normal).

Silenciar la salida



Pulse el botón MUTE para silenciar temporalmente el sonido. Vuelva a pulsarlo otra vez para restaurar el ajuste de volumen.

- Cuando el sonido está silenciado, "MUTE" parpadea en la pantalla.
- También puede restablecer el sonido pulsando los botones VOLUME (+/-) o girando el mando VOLUME.

Funcionamiento básico

Los ajustes de configuración de esta unidad están divididos en tres grupos: MENU 1, MENU 2 y MENU 3.

Dependiendo de cómo se pulse el botón SETUP, se mostrará MENU 1, MENU 2 o MENU 3.

En MENU 1 se pueden hacer ajustes independientes para cada uno de los terminales de entrada.

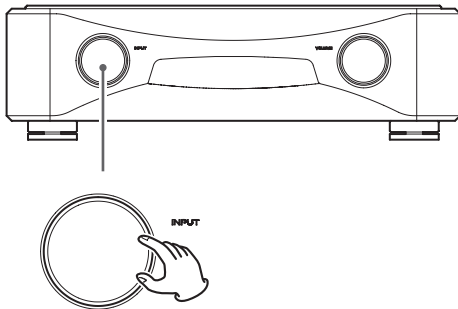
En MENU 2 se pueden hacer ajustes para la pantalla y la unidad en su conjunto.

En MENU 3 se pueden hacer ajustes relacionados con el funcionamiento del amplificador.

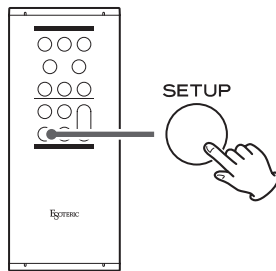
1 Abra un menú de ajustes de configuración.

Cómo abrir MENU 1

- 1) Gire el mando INPUT para seleccionar la fuente de entrada que desee.



- 2) Pulse el botón SETUP para mostrar MENU 1.



Cómo abrir MENU 2

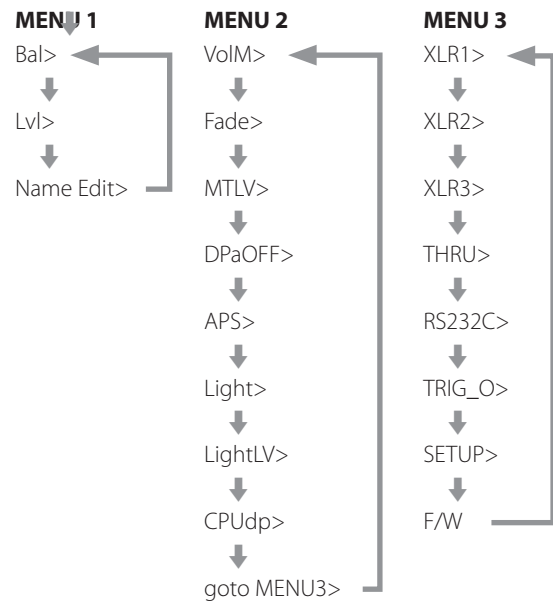
Pulse y mantenga pulsado el botón SETUP.

Cómo abrir MENU 3

En MENU 2, seleccione "goto MENU 3" (ir a MENU 3) y pulse y mantenga pulsado el botón SETUP.

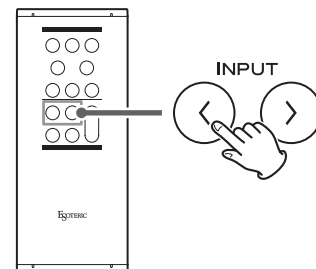
- Mientras hace estos ajustes, en la parte superior izquierda de la pantalla aparecerá MENU 1, MENU 2 o MENU 3.

2 Pulse el botón SETUP repetidamente para seleccionar el apartado de ajuste de configuración que desee cambiar.

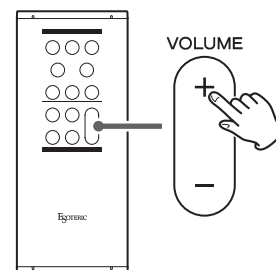


3 Utilice los botones INPUT (</>) para cambiar el ajuste.

También se puede utilizar el mando INPUT de la unidad principal para cambiar el ajuste.



4 Pulse el botón VOLUME (+/-) para terminar de hacer los ajustes.



El modo de ajustes de configuración también terminará y se volverá a la pantalla normal si no se hace nada durante diez segundos.

- Los ajustes se conservan aunque se desconecten los enchufes de los cables de corriente.

Ajuste de balance izquierda y derecha

Bal>***

Ajusta el balance entre los canales de salida izquierdo y derecho. Se puede ajustar en valores que van desde L 6,0 dB (canal izquierdo) y R 6,0 dB (canal derecho) en incrementos de 0,1 dB. También se puede ajustar para que solo se silencie un canal.

- El ajuste predeterminado es "0,0 dB" (no hay ajuste de balance).

Silenciar solo un canal

Pulse el botón > para seleccionar "Bal>R only" para enviar señal de salida solamente al canal derecho.

Igualmente, pulse el botón < para seleccionar "Bal>L only" para enviar señal de salida solamente al canal izquierdo.

Nivel de salida

Lvl>***

Ajusta el nivel de salida para el tipo de terminal de entrada seleccionado. Se puede ajustar en valores que van desde -18,0 dB hasta +18,0 dB en incrementos de 0,1 dB.

- El ajuste predeterminado es "0,0 dB".

Nota sobre los ajustes y la calidad del sonido

"Bal" (balance izquierda-derecha) y "Lvl" (nivel de salida) son ambos ajustes relacionados con el volumen. El microordenador de esta unidad analiza exhaustivamente estos ajustes y el ajuste de volumen para llevar a cabo un control unificado con un amplificador de control de volumen en un solo punto.

Por esta razón, a diferencia de los amplificadores ordinarios que pasan las señales de audio a través de múltiples circuitos, estos ajustes no degradarán la calidad del audio.

Nombre de la fuente de entrada

Name Edit>***

Los nombres que se muestran en la pantalla cuando se cambia la fuente de entrada se pueden ajustar como se quiera (hasta un máximo de cinco caracteres).

Cambio de los nombres de las fuentes de entrada

1) Pulse y mantenga pulsado el botón SETUP cuando "Name Edit" se muestre en la pantalla.

2) Introduzca los caracteres.

El carácter que se está introduciendo y el cursor aparecen alternativamente.

Utilice los botones INPUT (</>) o el mando INPUT de la unidad principal para seleccionar caracteres.

3) Desplace el cursor.

Pulse el botón MUTE para desplazar el cursor hacia la derecha o el botón SETUP para desplazar el cursor hacia la izquierda.

4) Cuando haya terminado de introducir los caracteres, pulse y mantenga pulsado el botón SETUP.

- Mientras se introduce el nombre, no se puede cambiar ni el volumen ni la entrada.
- Caracteres disponibles
Letras del idioma inglés: A-Z, a-z
Números: 0-9
Símbolos: ! " # \$ % & ' () * + , - . / \ : ; < = > ? @ (espacio en blanco)
- Si se usan espacios en blanco para los cinco caracteres, se borrará el nombre de la fuente de entrada.

Modo de volumen

VoIM>***

Determina cómo se ajusta el volumen.

- El ajuste predeterminado es "dB1".
- "+12 dB" con el ajuste dB1 es el mismo volumen que "0,0 dB" con los ajustes dB2–dB4.

STEP

El ajuste de volumen se muestra por pasos como un valor desde 0,0 hasta 99,9.

dB1

El volumen se puede ajustar en $-\infty$ o desde $-99,9$ hasta $+12,0$ dB, y se muestra en unidades de dB.

dB2

El volumen se puede ajustar en $-\infty$ o desde $-99,9$ hasta $0,0$ dB, y se muestra en unidades de dB.

dB3

El volumen se puede ajustar en $-\infty$ o desde $-79,9$ hasta $0,0$ dB, y se muestra en unidades de dB.

dB4

El volumen se puede ajustar en $-\infty$ o desde $-59,9$ hasta $0,0$ dB, y se muestra en unidades de dB.

Tiempo de aparición/desaparición gradual

Fade>***

El tiempo de aparición/desaparición gradual que se utiliza cuando se silencia el sonido o cuando se restablece se hace más largo de forma progresiva desde TM1 hasta TM3.

- El ajuste predeterminado es "TM2".

Ajuste del nivel de silenciamiento

MTLV>***

Ajusta el volumen cuando se activa la función de silenciamiento.

- El ajuste predeterminado es $-\infty$ dB.

$-\infty$ dB

El volumen se convierte en $-\infty$ dB cuando se activa la función de silenciamiento.

-20dB

El volumen se reduce 20 dB desde el nivel existente al silenciar.

Ajuste del oscurecimiento automático de la pantalla

DPaOFF>***

Utilice este ajuste para que la pantalla se oscurezca automáticamente.

- El ajuste predeterminado es "OFF".

ON

Si no se realiza ninguna operación durante diez minutos, la pantalla se apagará automáticamente.

DIM

Si no se realiza ninguna operación durante diez minutos, la pantalla se atenuará a intensidad DIMMER 1.

OFF

La pantalla no se oscurecerá automáticamente.

- Si la pantalla se deja encendida con la misma indicación durante mucho tiempo, pueden ocurrir irregularidades en el brillo. Por esta razón le recomendamos que ajuste la función de oscurecimiento automático de la pantalla en "ON".

Función de ahorro de energía automático

APS>***

Si no hay entrada de audio (silencio continuo) procedente de la fuente de entrada seleccionada durante la cantidad de tiempo especificada, la unidad entrará automáticamente en modo de reposo (standby).

- El ajuste predeterminado es "OFF".
- La entrada de audio procedente de fuentes de entrada diferentes de la seleccionada no tiene ningún efecto sobre el funcionamiento de la función de ahorro de energía automático.

30m

30 minutos

60m

60 minutos

90m

90 minutos

120m

120 minutos

OFF

La función de ahorro de energía automático está desactivada.

Iluminación

Light>***

Aquí se puede ajustar cómo se iluminan los anillos de alrededor de los mandos INPUT y VOLUME.

- El ajuste predeterminado es "AUTO".

AUTO

Cuando se opera con los mandos, sus anillos se iluminan.

ON

Los anillos de alrededor de los mandos están siempre iluminados.

OFF

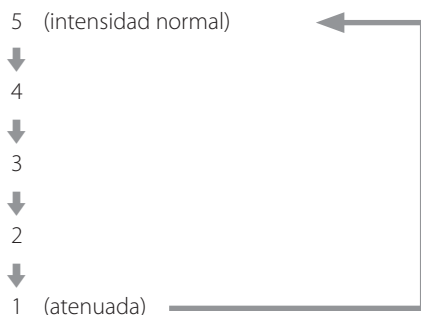
Los anillos de alrededor de los mandos están siempre apagados.

Ajuste de la intensidad de la iluminación de los mandos

LightV>***

Aquí se puede ajustar la intensidad de la iluminación de alrededor de los mandos.

- El ajuste predeterminado es "5".



Visualización del estado de operatividad detenida de la CPU

CPUdp>***

- El ajuste predeterminado es "ON".

OFF

No se mostrará el estado de operatividad detenida de la CPU.

ON

Se mostrará "CPU off" cuando la operatividad de la CPU que controla este producto se detenga. Cuando se utilice el mando de entrada, el mando de volumen o el mando a distancia, se reanudará la operatividad para controlar este producto. Una vez hecho, la operatividad se detendrá otra vez.

- Si la función APS no está ajustada en "OFF", la CPU no entrará en modo de operatividad detenida con objeto de poder comprobar el estado de funcionamiento y medir el tiempo.
- Cuando DPaOFF esté ajustado en "ON", la CPU no entrará en modo de operatividad detenida mientras se esté midiendo el tiempo hasta que la pantalla se apague automáticamente.
- Cuando el ajuste de control externo RS232C sea "ON", la CPU no entrará en modo de operatividad detenida porque estará esperando a recibir control externo.
- Cuando el ajuste de iluminación (Light>) sea "ON", la CPU no entrará en modo de operatividad detenida porque estará constantemente ajustando la intensidad.

Abrir el menú 3 de ajustes

goto MENU3

Pulse y mantenga pulsado el botón SETUP para abrir MENU 3.

Modo de funcionamiento de los terminales de entrada

XLR1>***

XLR2>***

XLR3>***

Ajusta el modo de funcionamiento de los terminales de entrada.

- El ajuste predeterminado es "XLR".

XLR

Seleccione esta opción cuando esté utilizando una conexión balanceada normal.

ESLA

Seleccione esta opción cuando esté utilizando una conexión ES-LINK Analog.

Salida de retransmisión

THRU>***

Ajusta si se van a utilizar los terminales de entrada como terminales de retransmisión de las señales.

- El ajuste predeterminado es "OFF".

OFF

No se configura ninguna entrada como entrada de retransmisión.

XLR1 (ESLA1)

XLR2 (ESLA2)

XLR3 (ESLA3)

RCA1

RCA2

La salida tendrá lugar sin ajuste de volumen por parte de esta unidad.



Si selecciona entradas conectadas a un dispositivo de nivel de línea normal, podrían enviarse señales demasiado fuertes a los altavoces y causarles daños.

"THRU" aparecerá en la pantalla en lugar del nivel de volumen fijado utilizando el mando VOLUME.

Por ejemplo, si conecta los terminales de salida de preamplificador (por ejemplo, FRONT L/R –delanteros izquierdo y derecho–) de un amplificador AV a los terminales RCA 2 de esta unidad y ajusta RCA2 en "THRU", también puede usar los altavoces conectados a través de esta unidad como altavoces frontales del amplificador AV (el amplificador AV controlará el ajuste del volumen cuando la fuente de entrada esté configurada como "RCA2").

- No se puede ajustar el volumen para los terminales de entrada configurados como "THRU", pero se pueden hacer ajustes precisos mediante los ajustes "Bal" y "Lvl".



Conecte siempre un dispositivo que tenga control de volumen a los terminales de entrada configurados como "THRU". Use ese dispositivo para bajar el volumen al mínimo antes de cambiar la fuente de entrada, y después suba gradualmente el nivel del volumen.

Ajuste del terminal de entrada de control remoto (RS-232C)

RS232C>***

Ajústelo en "ON" solamente cuando utilice el terminal de entrada de control remoto (RS-232C).

- El ajuste predeterminado es "OFF".

OFF

No se puede utilizar el terminal de entrada de control remoto (RS-232C).

ON

Se puede utilizar el terminal de entrada de control remoto (RS-232C).

Ajuste de salida de señales de disparador

TRIG_O>***

- El ajuste predeterminado es "OFF".

OFF

No se emiten señales de disparador.

ON

Se emiten señales de disparador.

Restablecer los ajustes de fábrica

SETUP>***

Se utiliza para restablecer los ajustes predeterminados de fábrica, borrando todos los cambios almacenados en la memoria.

Siga los procedimientos indicados a continuación para inicializar los ajustes.

- 1) Utilice los botones INPUT (</>) para hacer que aparezca "CLR" en la pantalla.
- 2) Cuando aparezca "CLR", pulse y mantenga pulsado el botón SETUP.

F/W **.**

Muestra la versión del firmware.

"**.**" es la versión.

Si tiene un problema con este producto, por favor dedique un momento a revisar la información que le proporcionamos a continuación antes de solicitar servicio técnico. Es más, el problema podría estar causado por algún motivo ajeno a este producto. Por favor, compruebe también el funcionamiento de las unidades conectadas.

Si aun así este producto no funciona correctamente, póngase en contacto con el distribuidor donde lo compró.

El Grandioso C1X no se enciende.

- ➔ Inserte los enchufes de corriente en las tomas de electricidad.

El modo de reposo (standby) se inicia automáticamente.

- ➔ La función de ahorro de energía automático está funcionando para poner la unidad en reposo. Pulse el botón STANDBY/ON de la unidad de alimentación o el botón ON del mando a distancia para encender la alimentación. Cambie el ajuste de la función de ahorro de energía automático si es necesario (página 73).

El mando a distancia no funciona.

- ➔ Pulse el botón STANDBY/ON de la unidad de alimentación o el botón ON del mando a distancia para encender la alimentación.
- ➔ Si las pilas están gastadas, cambie ambas por otras nuevas (página 67).
- ➔ El mando a distancia no funcionará si hay obstáculos entre el mando y la unidad principal. Apunte con el mando hacia la unidad principal y utilícelo dentro de una distancia máxima de 7 m desde el panel frontal (página 67).

Una televisión u otro aparato no funciona correctamente.

- ➔ El uso del mando a distancia de este producto podría causar que algunas televisiones con mando a distancia funcionen incorrectamente.

El mando VOLUME no funciona.

- ➔ Cuando aparece "THRU" en la pantalla, no se puede ajustar el volumen en esta unidad (página 75). Cambie el ajuste de salida de retransmisión como sea necesario.

"CHK POWER!" aparece en la pantalla.

- ➔ Confirme que los 4 cables de corriente y corriente continua (CC) están correctamente conectados (páginas 62 y 63).

Dado que el Grandioso C1X utiliza un microcontrolador, ruidos externos y otras interferencias pueden hacer que funcione mal. Si esto ocurre, ponga la unidad en modo de reposo (standby), desconecte los cables de corriente de las tomas de electricidad y espere aproximadamente un minuto antes de reiniciar la operación desde el principio.

Utilice un paño suave y seco para limpiar las superficies de las unidades. Para manchas difíciles, use un paño húmedo que haya sido bien escurrido para eliminar el exceso de líquido.

- Nunca pulverice líquido directamente sobre estas unidades.
- No utilice gamuzas ni paños impregnados con productos químicos, ni disolvente u otras sustancias químicas, ya que pueden dañar las superficies de las unidades.
- Evite que materiales de plástico o goma estén en contacto con las unidades durante mucho tiempo, ya que pueden dañar las carcasas.



Por seguridad, desconecte los enchufes de corriente de las tomas de electricidad antes de proceder a la limpieza de las unidades.

Nota sobre la condensación

Si traslada este producto de un entorno frío al aire libre a un entorno cálido en un interior, o si se acaba de encender la calefacción en la habitación donde está situado, por ejemplo, puede producirse condensación en alguna de las piezas funcionales, dando como resultado un funcionamiento incorrecto. Si esto ocurre, deje el producto encendido y espere una o dos horas. Esto debería hacer que vuelva a funcionar con normalidad.

Especificaciones

Entradas analógicas

Terminales

XLR/ESL-A	3 pares (izda./dcha.)
RCA	2 pares (izda./dcha.)

Impedancia de entrada

XLR	50 k Ω
RCA	68 k Ω

Sensibilidad de entrada 500 mV (a salida nominal)

Máximo voltaje de entrada permitido 12 V

Salidas analógicas

Terminales

XLR	2 pares (izda./dcha.)
ESL-A	2 pares (izda./dcha.)

Impedancia de salida 30 Ω

Uso de entrada y salida XLR

Distorsión armónica total 0,00035 %

Respuesta de frecuencias 1 Hz – 150 kHz (–3,0 dB)

Relación señal/ruido 120 dB (entrada de 2 V, ponderado A)

Ganancia +12 dB

Salida nominal 2 V

Nivel de salida máximo 17 V (1 kHz, 0,003 %)

Control externo

RS-232C 1

Entrada de disparador (TRIG IN) 1

Terminal minijack mono de 3,5 mm

Nivel de entrada 12 V, 2 mA

Salida de disparador (TRIG OUT) 2

Terminal minijack mono de 3,5 mm

Nivel de salida 12 V, 100 mA máx. (total para 2)

General

Alimentación

Modelo para Europa CA 220–240 V, 50/60 Hz

Modelo para EE. UU./Canadá CA 120 V, 60 Hz

Modelo para Corea CA 220 V, 60 Hz

Consumo de corriente 15 W (izda.)/15 W (dcha.)

En reposo (standby)

Ajuste del terminal de entrada de control remoto (RS-232C) desactivado (OFF) 0,5 W o menos

Ajuste del terminal de entrada de control remoto (RS-232C) activado (ON) 0,8 W o menos

Dimensiones externas (ancho × alto × profundo, salientes incluidos)

Unidad principal 445 × 132 × 449 mm

Unidad de alimentación 445 × 132 × 452 mm

Peso

Unidad principal 20,2 kg

Unidad de alimentación 29,0 kg

Temperatura de funcionamiento de +5 °C a +35 °C

Accesorios incluidos

Cables de corriente × 2

Cables de corriente continua × 2

Mando a distancia (RC-1334) × 1

Pilas para el mando a distancia (AA) × 2

Almohadillas de fieltro × 8

Manual del usuario (este documento) × 1

Tarjeta de garantía × 1

- Las especificaciones y el diseño están sujetos a cambios sin previo aviso.
- El peso y las dimensiones son aproximados.
- Las ilustraciones de este Manual del usuario pueden diferir ligeramente de los modelos de producción.

Unidad principal

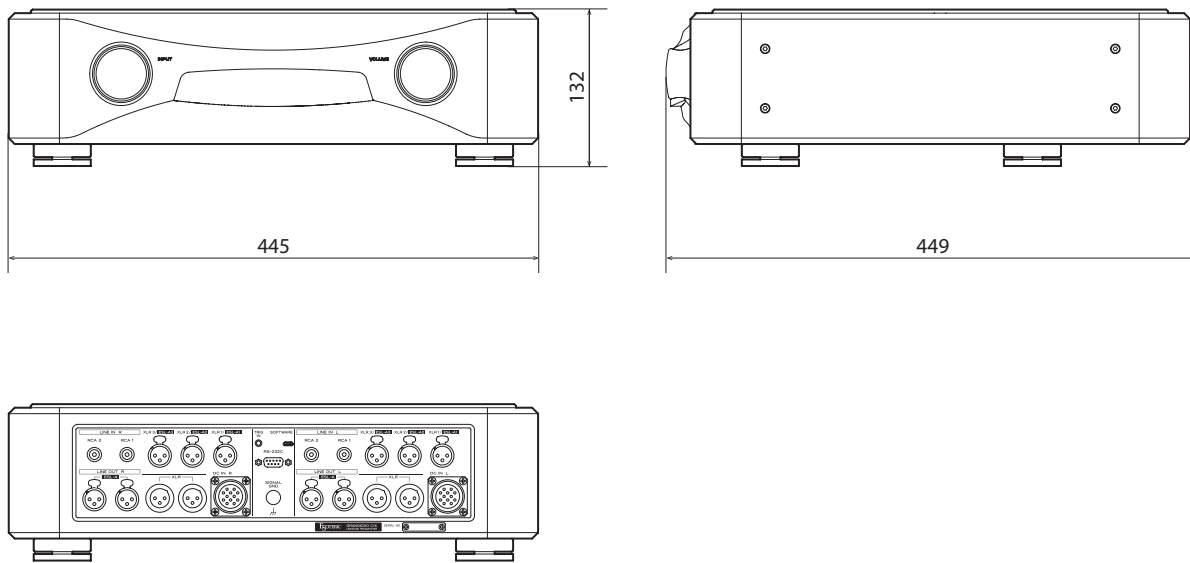
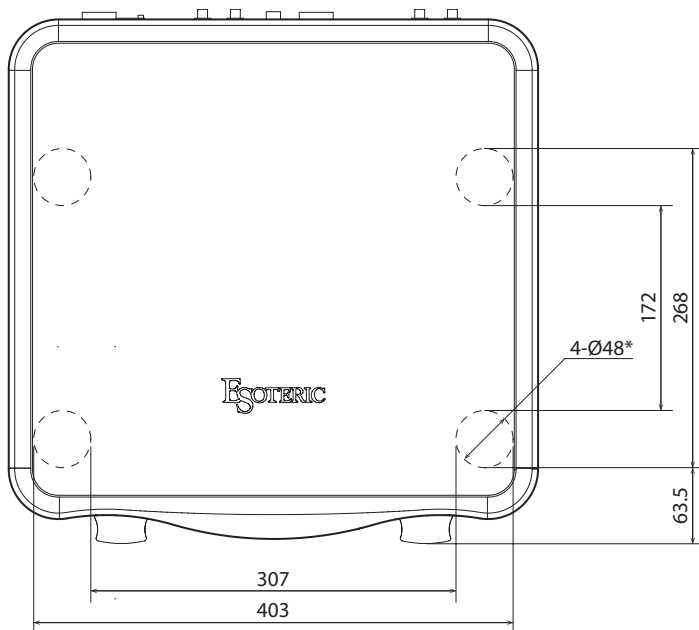


Diagrama de colocación de las patas



Dimensiones en milímetros (mm)
* 4 patas de 48 mm de diámetro

Unidad de alimentación

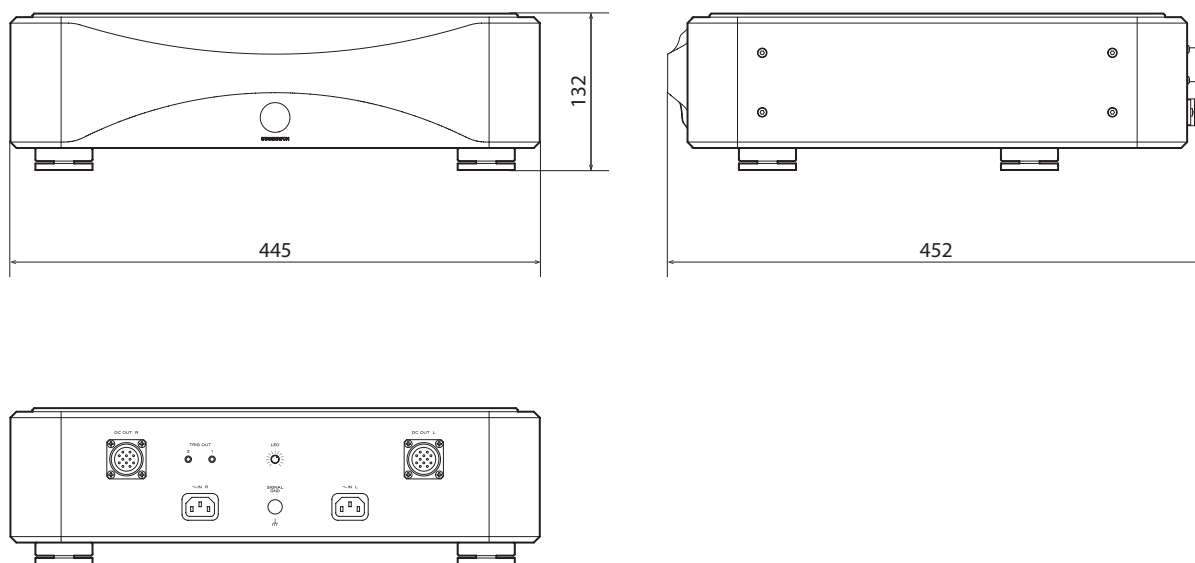
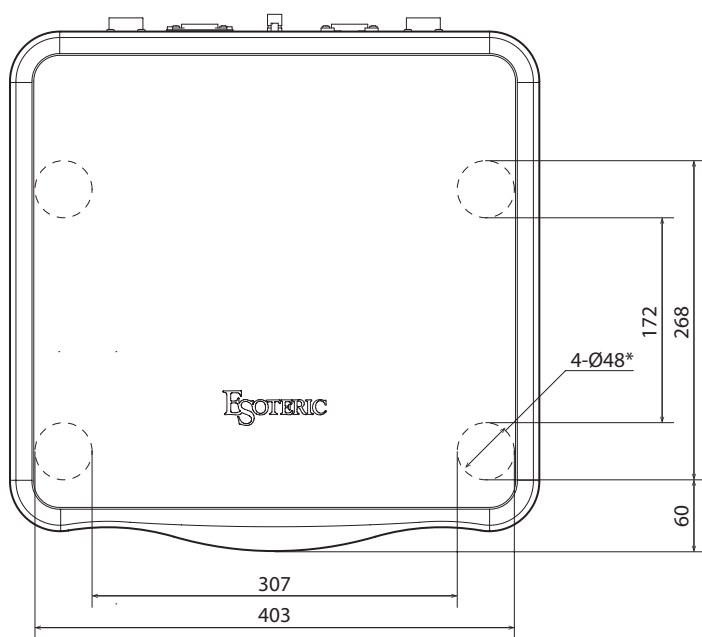


Diagrama de colocación de las patas



Dimensiones en milímetros (mm)
* 4 patas de 48 mm de diámetro

ESOTERIC

ESOTERIC COMPANY

1-47 Ochiai, Tama-shi, Tokyo 206-8530, Japan

Phone: +81-42-356-9156

This product has a serial number located on the rear panel. Please write it here and retain this for your records.

Model name: Grandioso C1X

Serial number _____

1222-MA-3158C