

N-05XD



— Specifications —

Inputs and Outputs

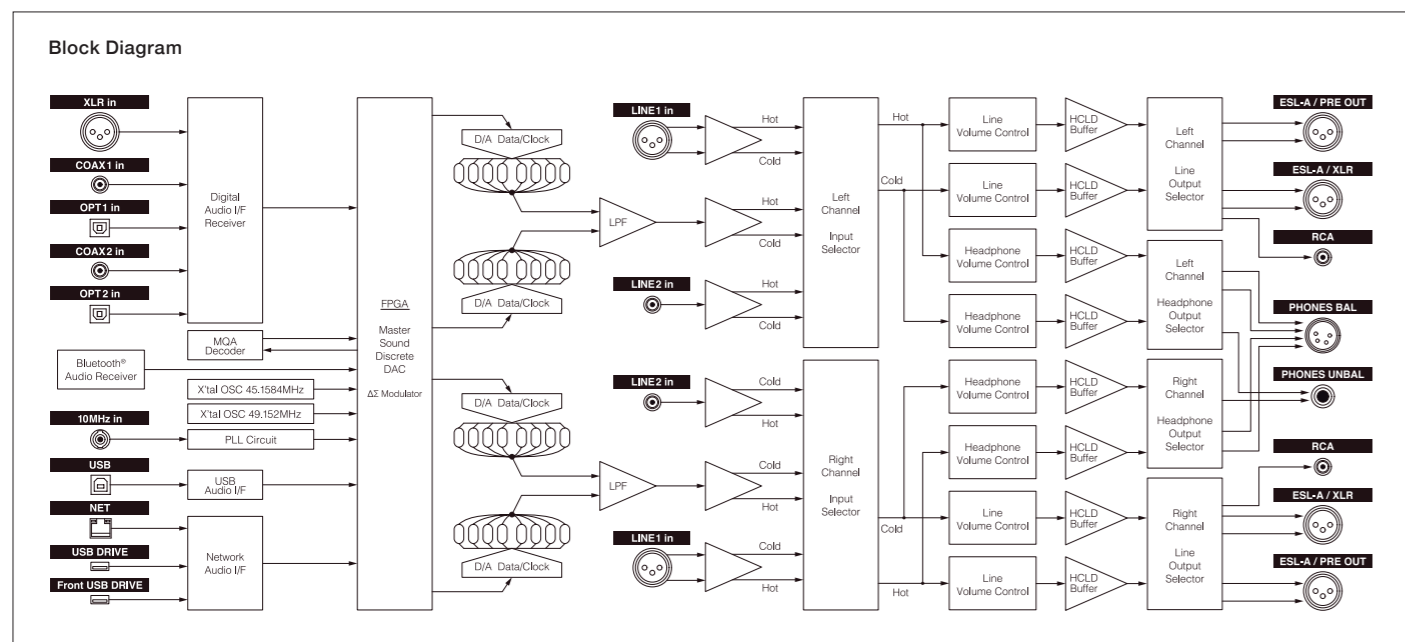
Digital Inputs	XLR x 1, COAX x 2, OPT x 2, USB x 1, Ethernet x 1, USB Drive x 2
Analog Inputs	XLR, RCA x 1 pair each
Analog Outputs	XLR/ESL-A, ESL-A Pre-out, RCA x 1 pair each
Bluetooth®	Version 4.0 (LDAC, LHDC, aptX HD, aptX, AAC)
Headphone Out	4-pin XLR, 1/4" Stereo Phone x 1 each
Clock Sync In	BNC x 1 (10MHz)
External Control I/O	RS-232C, Trigger In, Trigger Out

Audio Performance

Frequency Response	5Hz to 75kHz (-3dB)
S/N ratio	110dB
THD	0.0003% (1kHz)

General

Power Supply	120V AC, 60Hz (Model for US/Canada) 220-240V AC, 50Hz (Model for Europe)
Power Consumption	38W
Overall Dimensions (W x H x D, incl. protrusions)	445 x 131 x 377mm 17-5/8" x 5-1/4" x 14-7/8"
Weight	13.8kg / 30-1/2 lb.



Esoteric Company

1-47, Ochiai, Tama-shi, Tokyo Japan 208-8530
<https://www.esoteric.jp/en>



Design and specifications subject to change without notice. ©2021 Esoteric Company. All Rights Reserved. All text, images, graphics and other materials on this brochure are subject to the copyright and other intellectual property rights of Esoteric Company. These materials shall not directly or indirectly be published, reproduced, modified or distributed in any medium. Esoteric is a trademark of TEAC Corporation, registered in the U.S. and other countries. Grandioso is a trademark of TEAC Corporation. All other brand or product names are trademarks or registered trademarks of their respective holders.

Issued in Japan 0821WEB TECD-0314





Reproducing the full sound quality of the original masters.

The N-05XD represents a new frontier in network DAC/preamps.

As Esoteric's first-ever network DAC/preamp, the N-05XD was specifically designed to deliver superior sound quality from the smallest system configurations combining your favorite power amplifier, speakers, and headphones.

Integrating fully balanced circuitry directly derived from Esoteric's flagship series, the N-05XD's network engine is equipped with a pure, dedicated linear power supply and an in-house designed discrete DAC that ensures that its preamplifier and headphone amplifier are capable of clearly reproducing the full sound of a recording's original master.

No longer must superior sound quality be sacrificed in the pursuit of a simplified high-end audio system.

Master Sound Discrete DAC

Faithful Reproduction of the Liveliness and Energy of Music

Esoteric's primary goal in the creation of the N-05XD Network DAC/Preamp was to assemble a careful selection of rigorously tested discrete components into a complete circuit that could perfectly reproduce all the dynamics and energy of recorded music, something simply unattainable using ordinary integrated chips. Esoteric's top engineering teams put their pride on the line to design and produce a quality of sound that can only be experienced by way of our Master Sound Discrete DAC.



Luxurious Materials and Powerful Current Output Capacity

The N-05XD's Master Sound Discrete DAC is the most revolutionary two-channel stereo DAC circuit in Esoteric history, and is based on the original circuit developed for the Grandioso D1X Monoblock D/A Converter. As an extension of the D1X's design philosophy, an abundance of luxurious materials have been invested in the construction of N-05XD's Master Sound Discrete DAC, including 16 separate elements for each channel. Each of these 16 elements, including such key components as the clock driver, logic circuitry, capacitors and resistors, are kept fully independent in order to ensure the purest sound output with virtually no loss of musical energy.

Advanced Digital Processing Capability

The N-05XD is also equipped with Esoteric's exclusive Delta-Sigma ($\Delta\Sigma$) modulator, which supports 64-bit/512Fs audio frequency sampling. To perform D/A conversion on par with its excellent DSD and PCM characteristics, separate FPGA* digital processing algorithms were developed for each step in the conversion process. This enables the N-05XD to extract the optimum sound quality from all compatible digital sources.

* FPGA: Field-Programmable Gate Array

Network Engine with Dedicated Linear Power Supply

As a source component, the N-05XD is equipped with a dedicated high-end network audio engine that supports DSD 22.5MHz playback. The key component in this design is its dedicated linear power supply. With a component configuration equivalent in scale to that of Esoteric's top-of-the-line N-01XD, the N-05XD's large toroidal transformers, high-capacity filter capacitors, Schottky barrier diodes, and high-end super capacitors — which feature a whopping 2,333,333 μ F in total capacity — and forgoing the use of any noisy switching elements, the N-05XD realizes a singularly impressive sound brimming with an analog-like sense of reality.

Supporting a Variety of Audio Codecs and Streaming Services



* Not every service is available in every country.

The Heart of the System:

A Fully Balanced Dual Mono Preamplifier

At the core of any audio system, the preamplifier circuitry plays the central determining factor in how sound is perceived. The N-05XD inherits the Grandioso line's high fidelity and superb musical expression, a compendium of both Esoteric's long-held philosophy and advanced technology, while further inheriting its esteemed pedigree. With its long-established fully balanced dual mono configuration, the preamplifier's dynamic yet delicate sound transcends the boundaries of playback quality, and even goes so far as to delineate the sensibilities of both the performers and the sound engineer.

High-Quality Es-Link Analog Current Transmission

The N-05XD also comes fully equipped with Esoteric's original Es-Link Analog transmission output. This advanced current transmission method takes advantage of the HCLD buffer circuit's high performance to deliver powerful, high-speed current supply capability that makes it possible to transmit the audio signal purely, powerfully, and completely unaffected by signal path impedance. This ideal analog audio transmission method maximizes the potential of the system when connected to compatible devices.

Fully Balanced Dual Mono Headphone Amplifier

Enjoy the uniquely blissful musical listening experience of high-end audio by using the N-05XD in combination with your favorite pair of headphones. The N-05XD accommodates Esoteric's first full-scale fully balanced dual mono headphone amplifier, and two separate outputs: a balanced 4-pin XLR output jack and an unbalanced 6.3mm stereo audio jack. With its 1500mW* of output power, this superlative headphone amplifier powerfully drives high impedance headphones with plenty of headroom to spare. For unbalanced output, the ground potential is actively driven to 0V so that any fluctuations of ground potential in each of the left and right channels do not affect the other, thus realizing eminently clear channel separation, uncompromising high performance, and superb musical expressiveness.

* Into 32 Ω load

The Ultimate Versatility

The N-05XD can be connected to an external preamp for operation as a standalone digital source or DAC when switched to fixed line level output. Likewise, its Network function can be completely turned OFF when not use. The N-05XD also comes with the Es-Link*, Bluetooth® connection, External Clock In, and AV Pass through output that allows it to be used as a front channel preamp in a surround sound AV speaker system.

* The Es-Link is Esoteric's original wideband digital interface, supporting a single XLR cable connection with Super Audio CD/CD Transports/Players.